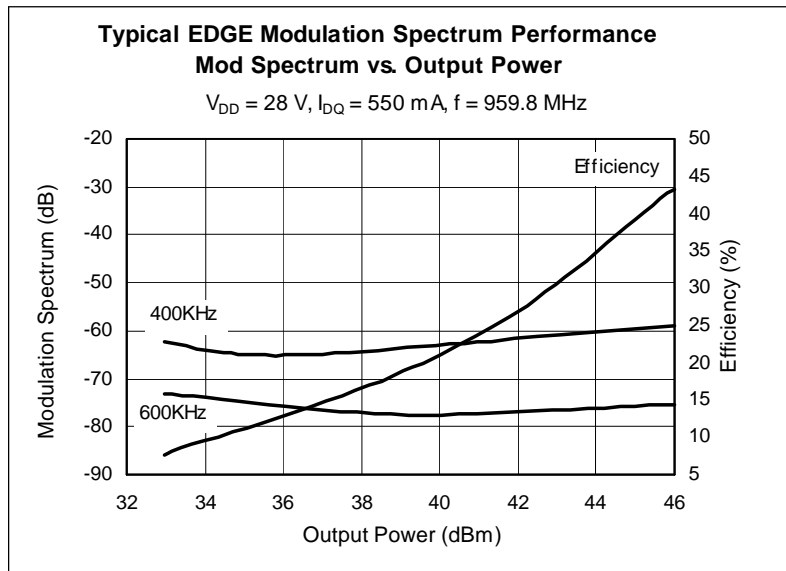


LDMOS RF Power Field Effect Transistor 60 W, 860–960 MHz

Description

The PTF080601 is a 60-W, internally matched *GOLDMOS* FET intended for EDGE and CDMA applications in the 860 to 960 MHz band. Full gold metallization ensures excellent device lifetime and reliability.



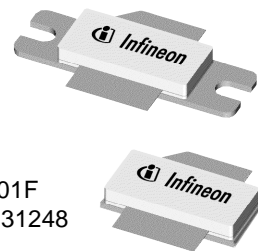
Features

- Broadband internal matching
- Typical EDGE performance
 - Average output power = 30 W
 - Gain = 18 dB
 - Efficiency = 40%
- Typical CW performance
 - Output power at P-1dB = 90 W
 - Gain = 17 dB
 - Efficiency = 60%
- Integrated ESD protection: Human Body Model, Class 1 (minimum)
- Excellent thermal stability
- Low HCI drift
- Capable of handling 10:1 VSWR @ 28 V, 60 W (CW) output power

PTF080601A
Package 20248

PTF080601E
Package 30248

PTF080601F
Package 31248



RF Characteristics at $T_{CASE} = 25^{\circ}\text{C}$ unless otherwise indicated

Two-Tone Measurements (tested in Infineon test fixture)

$V_{DD} = 28\text{ V}$, $I_{DQ} = 550\text{ mA}$, $P_{OUT} = 60\text{ W PEP}$, $f_C = 960\text{ MHz}$, tone spacing = 1000 kHz

Characteristic	Symbol	Min	Typ	Max	Units
Gain	G_{ps}	—	18	—	dB
Drain Efficiency	η_D	—	42	—	%
Intermodulation Distortion	IMD	—	-32	—	dBc

EDGE Measurements (not subject to production test—verified by design/characterization in Infineon test fixture)

$V_{DD} = 28\text{ V}$, $I_{DQ} = 550\text{ mA}$, $P_{OUT} = 30\text{ W}$, $f = 959.8\text{ MHz}$

Characteristic	Symbol	Min	Typ	Max	Units
Error Vector Magnitude	EVM (RMS)	—	2.0	—	%
Modulation Spectrum @ 400 KHz	ACPR	—	-61	—	dBc
Modulation Spectrum @ 600 KHz	ACPR	—	-74	—	dBc
Gain	G_{ps}	—	18	—	dB
Drain Efficiency	η_D	—	40	—	%

DC Characteristics at $T_{CASE} = 25^{\circ}C$ unless otherwise indicated

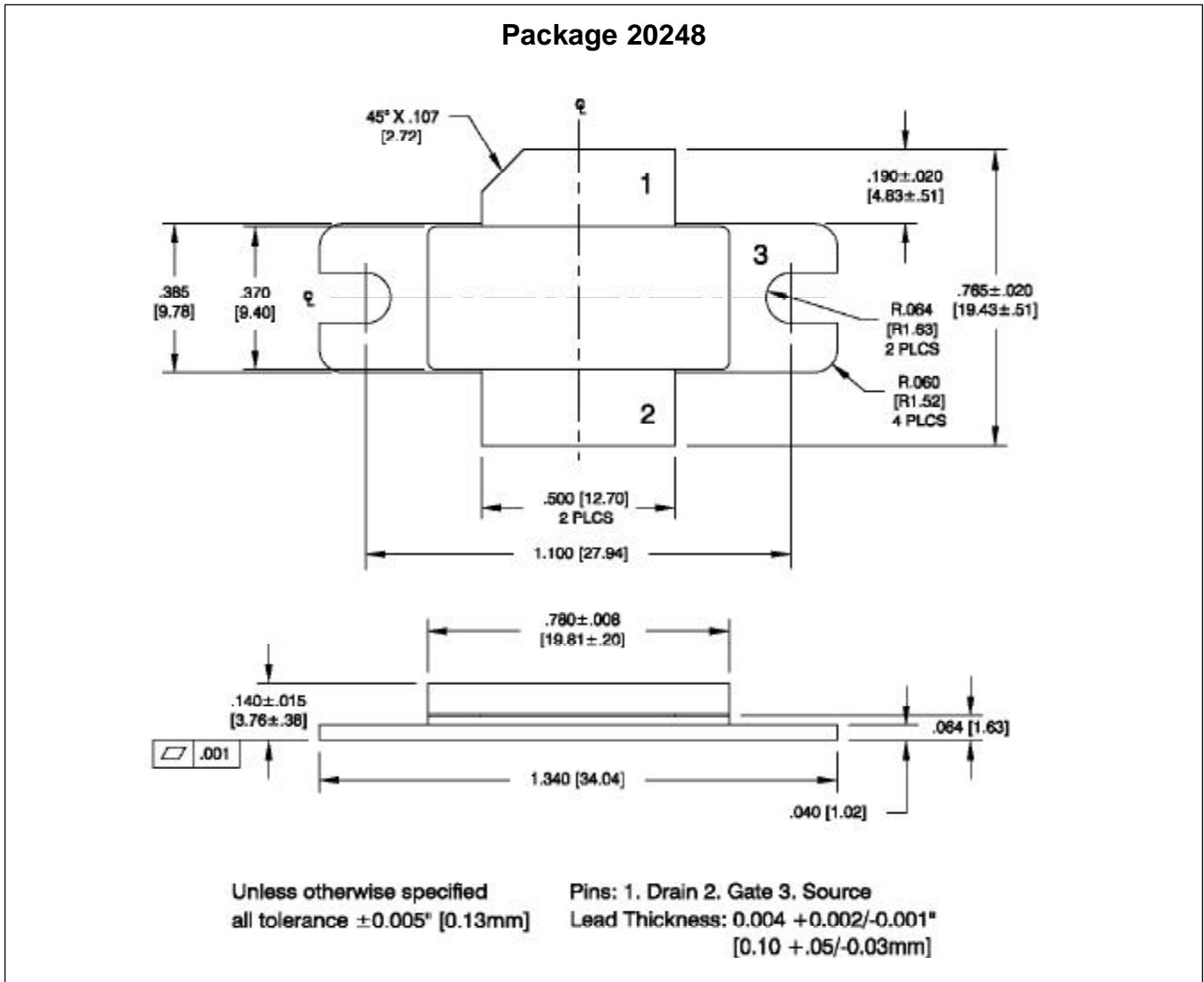
Characteristic	Conditions	Symbol	Min	Typ	Max	Units
Drain-Source Breakdown Voltage	$V_{GS} = 0 V, I_{DS} = 10 \mu A$	$V_{(BR)DSS}$	—	65	—	V
Drain Leakage Current	$V_{DS} = 28 V, V_{GS} = 0 V$	I_{DSS}	—	1.0	—	μA
On-State Resistance	$V_{GS} = 10 V, I_{DS} = 1 A$	$R_{DS(on)}$	—	0.1	—	Ω
Operating Gate Voltage	$V_{DS} = 28 V, I_{DQ} = 550 mA$	V_{GS}	—	3.2	—	V
Gate Leakage Current	$V_{GS} = 10 V, V_{DS} = 0 V$	I_{GSS}	—	—	1.0	μA

Maximum Ratings

Parameter		Symbol	Value	Unit
Drain-Source Voltage		V_{DSS}	65	V
Gate-Source Voltage		V_{GS}	-0.5 to +12	V
Junction Temperature		T_J	200	$^{\circ}C$
Total Device Dissipation	PTF080601A	P_D	180	W
Above 25 $^{\circ}C$ derate by			1.03	W/ $^{\circ}C$
Total Device Dissipation	PTF080601E	P_D	195	W
Above 25 $^{\circ}C$ derate by			1.11	W/ $^{\circ}C$
Storage Temperature Range		T_{STG}	-40 to +150	$^{\circ}C$
Thermal Resistance ($T_{CASE} = 70^{\circ}C$)	PTF080601A	$R_{\theta JC}$	0.972	$^{\circ}C/W$
	PTF080601E	$R_{\theta JC}$	0.897	$^{\circ}C/W$

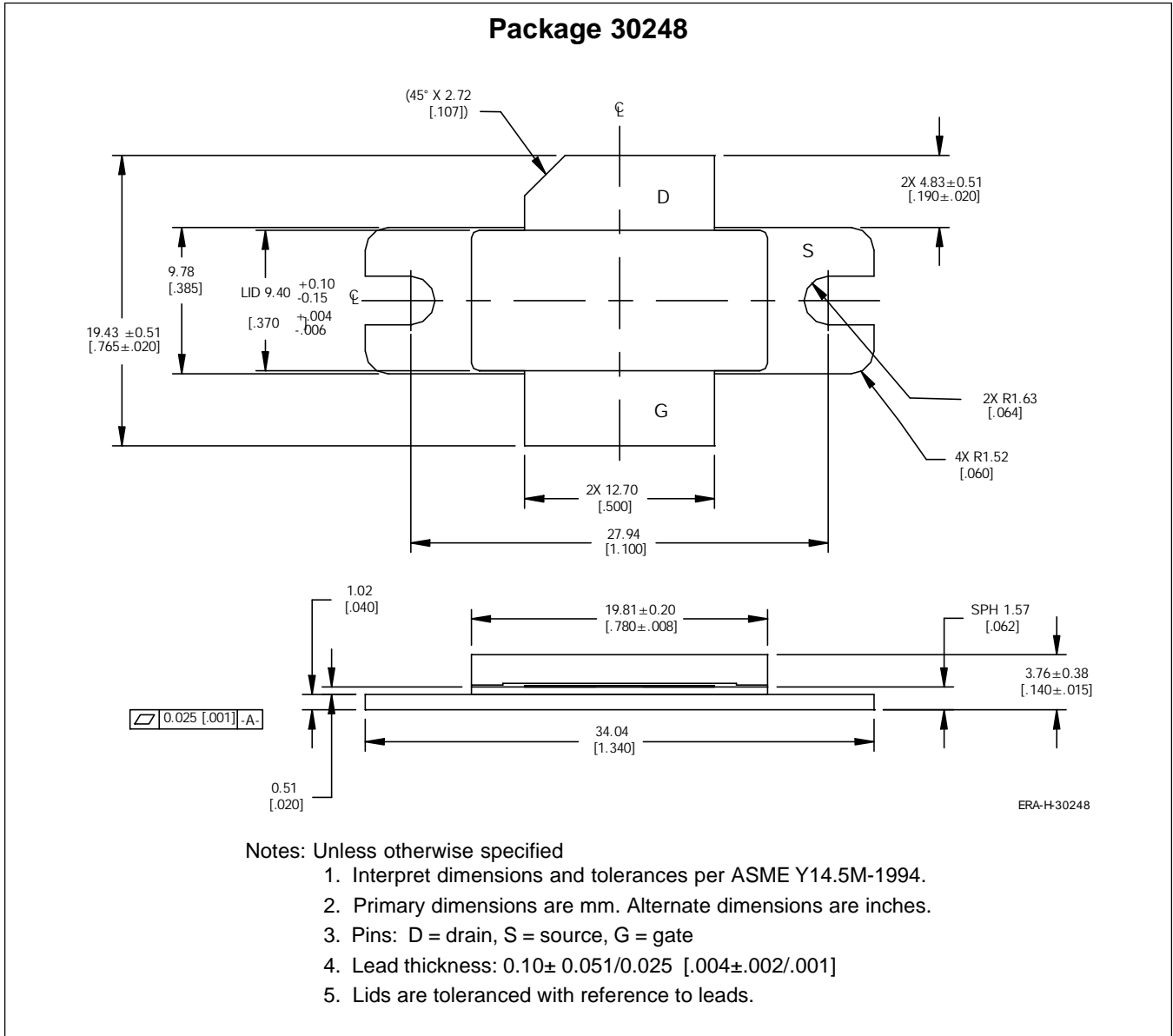
Type	Package Outline	Package Description	Marking
PTF080601A	20248	Standard ceramic, flange	PTF080601A
PTF080601E	30248	Thermally enhanced, flange	PTF080601E
PTF080601F	31249	Thermally enhanced, no flange	PTF080601F

Package Outline Specifications



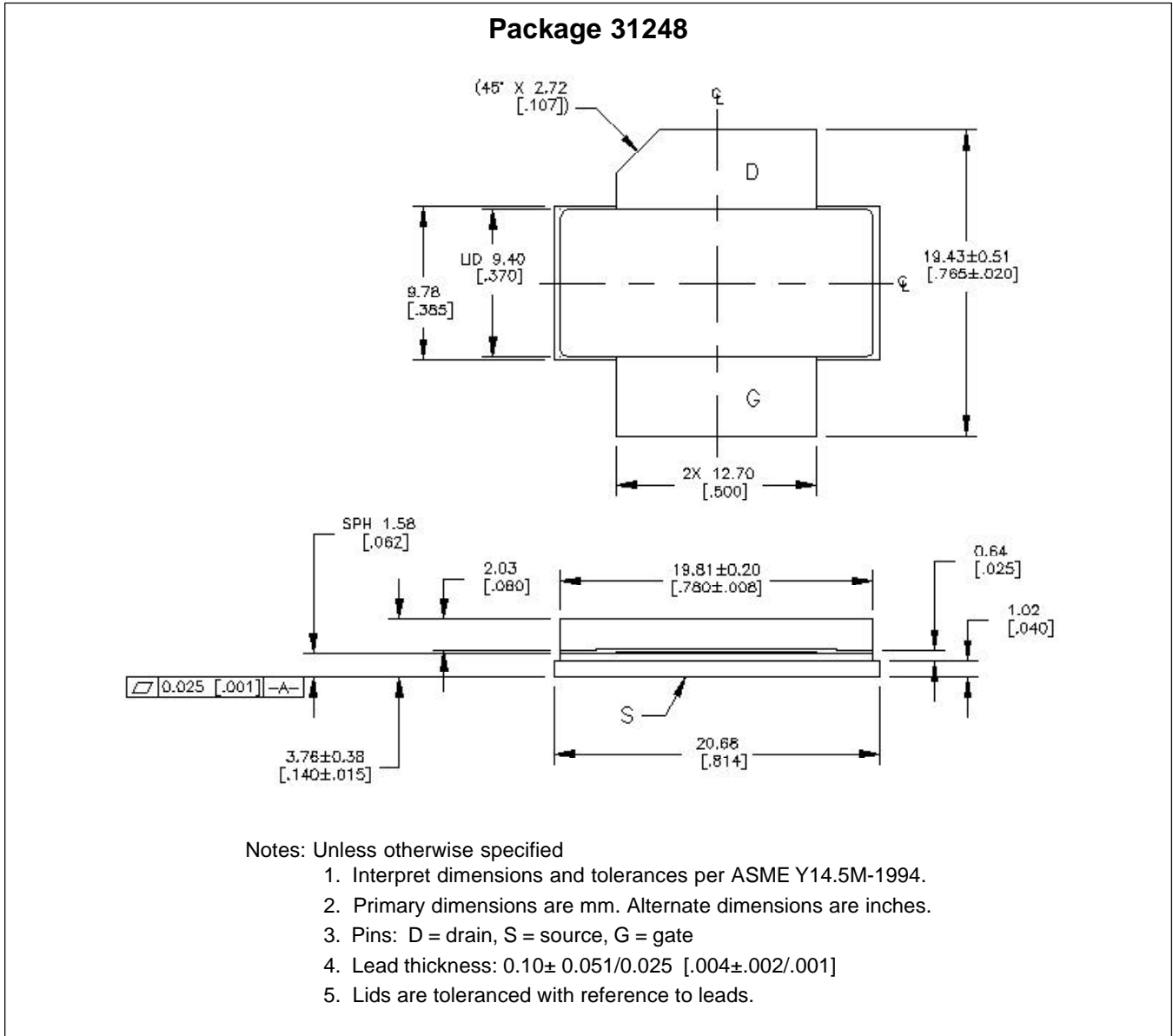
Find the latest and most complete information about products and packaging at the Infineon Internet page <http://www.infineon.com/rfpower>

Package Outline Specifications



Find the latest and most complete information about products and packaging at the Infineon Internet page <http://www.infineon.com/rfpower>

Package Outline Specifications



Find the latest and most complete information about products and packaging at the Infineon Internet page <http://www.infineon.com/rfpower>

PTF080601

Revision History: 2003-12-05 Developmental

Previous Version: none

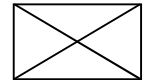
Page	Subjects (major changes since last revision)

We Listen to Your Comments

Any information within this document that you feel is wrong, unclear or missing at all?
Your feedback will help us to continuously improve the quality of this document.
Please send your proposal (including a reference to this document) to:

highpowerRF@infineon.com

To request other information, contact us at:
+1 877 465 3667 (1-877-GOLDMOS) USA
or +1 408 776 0600 International



Edition 2003-12-05

**Published by Infineon Technologies AG,
St.-Martin-Strasse 53,
81669 München, Germany**

**© Infineon Technologies AG 2003.
All Rights Reserved.**

Attention please!

The information herein is given to describe certain components and shall not be considered as a guarantee of characteristics.

Terms of delivery and rights to technical change reserved.

We hereby disclaim any and all warranties, including but not limited to warranties of non-infringement, regarding circuits, descriptions and charts stated herein.

Information

For further information on technology, delivery terms and conditions and prices please contact your nearest Infineon Technologies Office (www.infineon.com/rfpower).

Warnings

Due to technical requirements components may contain dangerous substances. For information on the types in question please contact your nearest Infineon Technologies Office.

Infineon Technologies Components may only be used in life-support devices or systems with the express written approval of Infineon Technologies, if a failure of such components can reasonably be expected to cause the failure of that life-support device or system, or to affect the safety or effectiveness of that device or system. Life support devices or systems are intended to be implanted in the human body, or to support and/or maintain and sustain and/or protect human life. If they fail, it is reasonable to assume that the health of the user or other persons may be endangered.