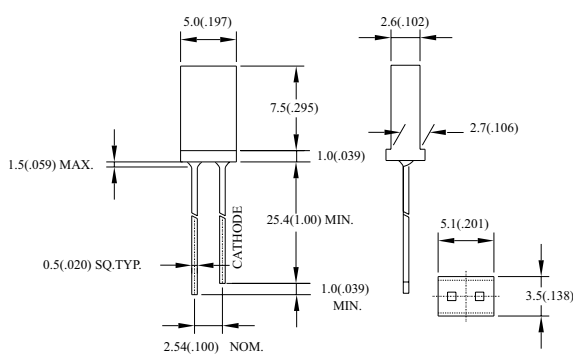
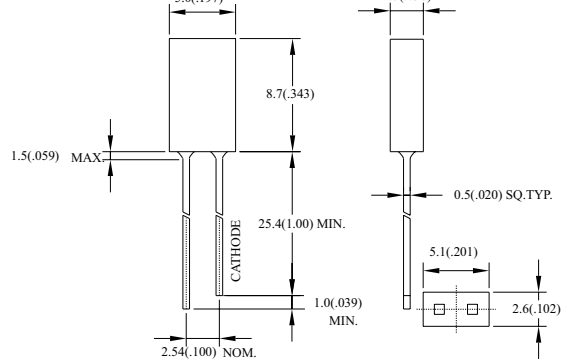
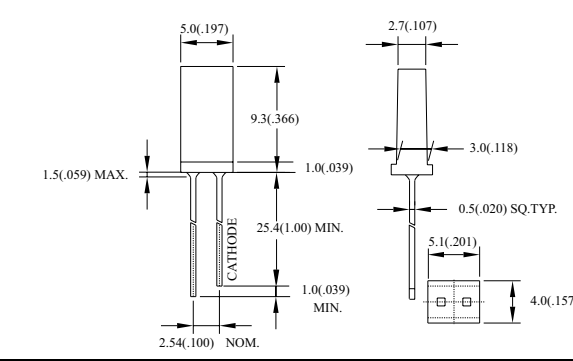
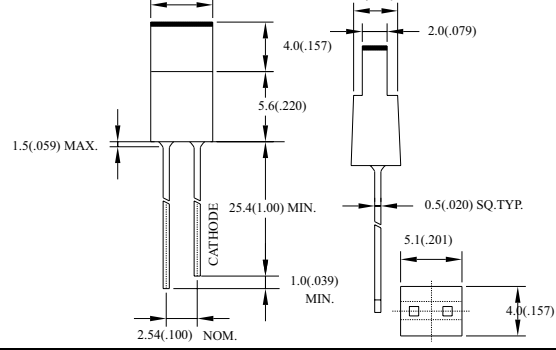
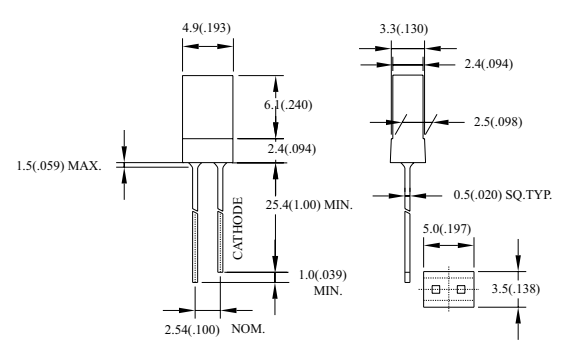
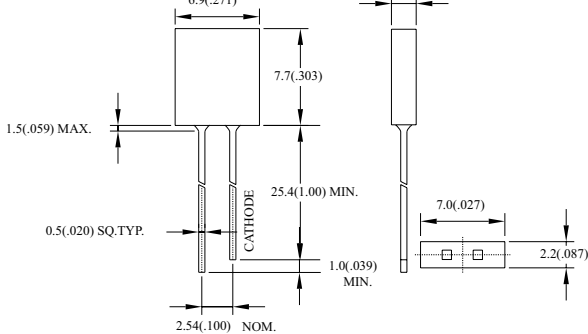
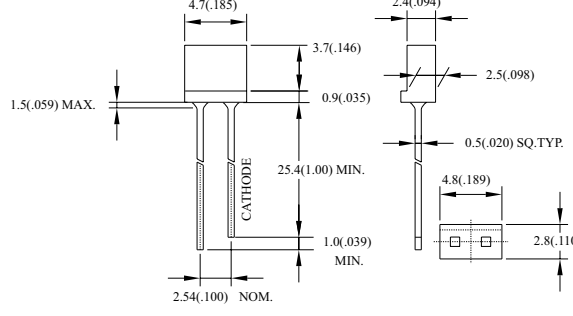
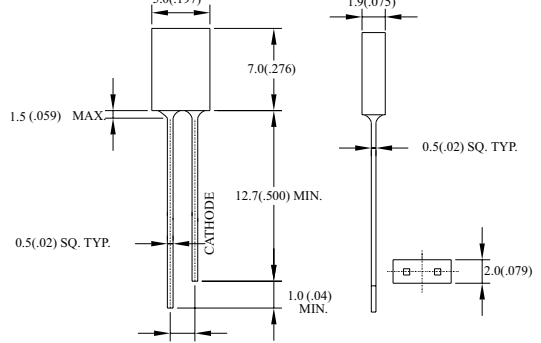




STANDARD LED LAMPS(RECTANGULAR TYPES)

Package	Part No.	Chip		Lens Appearance	Absolute Maximum Ratings				Electro-optical Data(At 20mA)			Viewing Angle 2θ 1/2 (deg)	Drawing No.
		Material/ Emitted Color	Peak Wave Length λp(nm)		Δλ (nm)	Pd (mw)	If (mA)	Peak (mA)	Vf (V)		Iv (mcd)		
									Typ	Max	Typ.		
2.6x5.0x 8.5mm 1.0" Lead Rectangular	BL-R1132D	GaAsP/GaAs/ Red	655	Red Diffused	40	80	40	200	1.7	2.0	0.6	130	L-073
	BL-R5132D	GaP/GaP/ Bright Red	700		90	40	15	50	2.2	2.6	1.0		
	BL-R4532D	GaAsP/GaP/ Hi-Eff Red	635		45	80	30	150	2.0	2.6	7.0		
	BL-R2132D	GaP/GaP/ Green	568	Green Diffused	30	80	30	150	2.2	2.6	7.0		
	BL-R3132D	GaAsP/GaP/ Yellow	585	Yellow Diffused	35	80	30	150	2.1	2.6	6.0		
	BL-R4132D	GaAsP/GaP/ Orange	635	Orange Diffused	45	80	30	150	2.0	2.6	7.0		
	BL-R9132D	GaP/GaP/ Pure Green	555	Green Diffused	25	80	30	150	2.2	2.6	0.5		
2.5x5.0x 8.7mm 1.0" Lead Rectangular	BL-R1132E	GaAsP/GaAs/ Red	655	Red Diffused	40	80	40	200	1.7	2.0	0.5	130	L-074
	BL-R5132E	GaP/GaP/ Bright Red	700		90	40	15	50	2.2	2.6	0.8		
	BL-R4532E	GaAsP/GaP/ Hi-Eff Red	635		45	80	30	150	2.0	2.6	7.0		
	BL-R2132E	GaP/GaP/ Green	568	Green Diffused	30	80	30	150	2.2	2.6	7.0		
	BL-R3132E	GaAsP/GaP / Yellow	585	Yellow Diffused	35	80	30	150	2.1	2.6	6.0		
	BL-R4132E	GaAsP/GaP / Orange	635	Orange Diffused	45	80	30	150	2.0	2.6	7.0		
	BL-R9132E	GaP/GaP/ Pure Green	555	Green Diffused	25	80	30	150	2.2	2.6	0.5		
3.0x5.0x 10mm 1.0" Lead Rectangular	BL-R1132F	GaAsP/GaAs/ Red	655	Red Diffused	40	80	40	200	1.7	2.0	0.8	125	L-075
	BL-R5132F	GaP/GaP/ Bright Red	700		90	40	15	50	2.2	2.6	1.2		
	BL-R4132F	GaAsP/GaP/ Hi-Eff Red	635		45	80	30	150	2.0	2.6	5.0		
	BL-R2132F	GaP/GaP/ Green	568	Green Diffused	30	80	30	150	2.2	2.6	5.0		
	BL-R3132F	GaAsP/GaP / Yellow	585	Yellow Diffused	35	80	30	150	2.1	2.6	4.5		
	BL-R8132F	GaAsP/GaP / Amber	610	Orange Diffused	35	80	30	150	2.0	2.6	4.5		
	BL-R9132F	GaP/GaP / Pure Green	555	Green Diffused	25	80	30	150	2.2	2.6	0.8		
2.0x5.0x 7.8mm 1.0" Lead Rectangular	BL-R1132H	GaAsP/GaAs/ Red	655	Red Diffused	40	80	40	200	1.7	2.0	0.8	125	L-076
	BL-R5132H	GaP/GaP/ Bright Red	700		90	40	15	50	2.2	2.6	1.6		
	BL-R4532H	GaAsP/GaP/ Hi-Eff Red	635		45	80	30	150	2.0	2.6	5.0		
	BL-R2132H	GaP/GaP/ Green	568	Green Diffused	30	80	30	150	2.2	2.6	5.0		
	BL-R3132H	GaAsP/GaP / Yellow	585	Yellow Diffused	35	80	30	150	2.1	2.6	4.5		
	BL-R4132H	GaAsP/GaP / Orange	635	Orange Diffused	25	80	30	150	2.0	2.6	5.0		
	BL-R9132H	GaP/GaP/ Pure Green	555	Green Diffused	30	80	30	150	2.2	2.6	0.8		
2.4x5.0x 8.4mm 1.0" Lead Rectangular	BL-R1132J	GaAsP/GaAs/ Red	655	Red Diffused	40	80	40	200	1.7	2.0	0.6	125	L-077
	BL-R5132J	GaP/GaP/ Bright Red	700		90	40	15	50	2.2	2.6	1.0		
	BL-R4532J	GaAsP/GaP/ Hi-Eff Red	635		45	80	30	150	2.0	2.6	6.0		
	BL-R2132J	GaP/ GaP Green	568	Green Diffused	30	80	30	150	2.2	2.6	6.0		
	BL-R3132J	GaAsP/GaP / Yellow	585	Yellow Diffused	35	80	30	150	2.1	2.6	5.0		
	BL-R4132J	GaAsP/GaP / Orange	635	Orange Diffused	25	80	30	150	2.0	2.6	6.0		
	BL-R9132J	GaP/GaP / Pure Green	555	Green Diffused	30	80	30	150	2.2	2.6	0.6		
2.1x6.9x 7.7mm 1.0" Lead Rectangular	BL-R1132K	GaAsP/GaAs/ Red	655	Red Diffused	40	80	40	200	1.7	2.0	0.6	125	L-078
	BL-R5132K	GaP/GaP/ Bright Red	700		90	40	15	50	2.2	2.6	1.0		
	BL-R4532K	GaAsP/GaP/ Hi-Eff Red	635		45	80	30	150	2.0	2.6	7.0		
	BL-R2132K	GaP/ GaP Green	568	Green Diffused	30	80	30	150	2.2	2.6	7.0		
	BL-R3132K	GaAsP/ GaP/ Yellow	585	Yellow Diffused	35	80	30	150	2.1	2.6	6.0		
	BL-R4132K	GaAsP/GaP/ Orange	635	Orange Diffused	45	80	30	150	2.0	2.6	7.0		
	BL-R9132K	GaP/GaP / Pure Green	555	Green Diffused	25	80	30	150	2.2	2.6	0.6		
2.4x4.8x 4.6mm 1.0" Lead Rectangular	BL-R1132L	GaAsP/GaAs/ Red	655	Red Diffused	40	80	40	200	1.7	2.0	0.4	125	L-079
	BL-R5132L	GaP/GaP/ Bright Red	700		90	40	15	50	2.2	2.6	0.6		
	BL-R4532L	GaAsP/GaP/ Hi-Eff Red	635		45	80	30	150	2.0	2.6	4.0		
	BL-R2132L	GaP/GaP/ Green	568	Green Diffused	30	80	30	150	2.2	2.6	4.0		
	BL-R3132L	GaAsP/GaP/ Yellow	585	Yellow Diffused	35	80	30	150	2.1	2.6	3.0		
BL-R4132L	GaAsP/GaP/ Orange	635	Orange Diffused	25	80	30	150	2.0	2.6	0.6			
2.0x5.0x 7.0mm 0.5" Lead Rectangular	BL-R1122N	GaAsP/GaAs/ Red	655	Red Diffused	40	80	40	200	1.7	2.0	0.5	140	L-080
	BL-R5122N	GaP/GaP/ Bright Red	700		90	40	15	50	2.2	2.6	0.7		
	BL-R4522N	GaAsP/GaP/ Hi-Eff Red	635		45	80	30	150	2.0	2.6	4.5		
	BL-R2122N	GaP/GaP/ Green	568	Green Diffused	30	80	30	150	2.2	2.6	4.5		
	BL-R3122N	GaAsP/GaP / Yellow	585	Yellow Diffused	35	80	30	150	2.1	2.6	3.5		

Remark : 1.Hi-Eff Red / High-Efficiency Red.
 2.Trans / Transparent.
 3.2θ 1/2 The off-axis angle at which the luminous intensity is half the axial luminous intensity.

<p>L-073 BL-Rxx32D Series</p> 	<p>L-074 BL-Rxx32E Series</p> 
<p>L-075 BL-Rxx32F Series</p> 	<p>L-076 BL-Rxx32H Series</p> 
<p>L-077 BL-Rxx32J Series</p> 	<p>L-078 BL-Rxx32K Series</p> 
<p>L-079 BL-Rxx32L Series</p> 	<p>L-080 BL-Rxx22N Series</p> 

Notes : 1.All Dimensions are in millimeters (inches).
2.Tolerance is $\pm 0.25\text{mm}$ (.010").