



## MC-SP110DBW Conventional type

### Features

- Apply For LCD Display, Indicators, Illuminations, etc.
- Compatible With Automatic Placement Equipment
- Compatible With Reflow Solder Process

### Maximum Ratings

- Operating Temperature: -30°C to +80°C
- Storage Temperature: -40°C to +85°C
- 78 mWatt DC Power Dissipation
- Reverse Voltage: 5.0V
- Forward Current: 30 mA
- Peak Forward Current: 100\*\*mA(I<sub>F</sub>)

\*\* Pulse test: Pulse width  $\leq 0.1$ msec, Duty cycle  $\leq 10\%$

## Single Color Surface Mounted Chip LED Size :0805

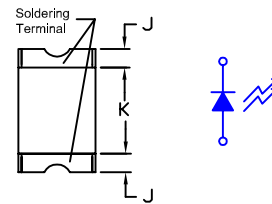
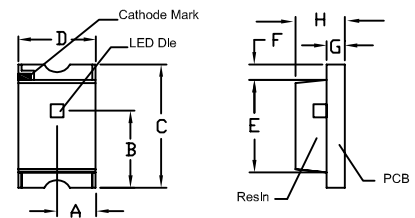
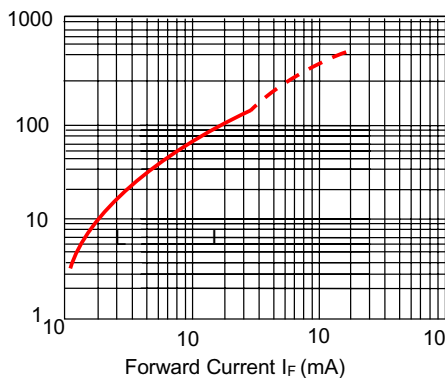
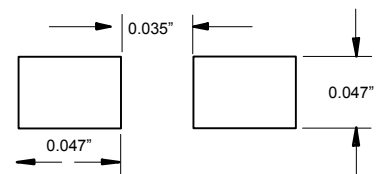


Figure 1  
Luminous Intensity VS .Forward Current



| DIM | INCHES |       | MM    |       | NOTE |
|-----|--------|-------|-------|-------|------|
|     | MIN    | MAX   | MIN   | MAX   |      |
| A   | 0.021  | 0.029 | 0.525 | 0.725 |      |
| B   | 0.045  | 0.053 | 1.15  | 1.35  |      |
| C   | 0.075  | 0.083 | 1.9   | 2.1   |      |
| D   | 0.045  | 0.053 | 1.15  | 1.35  |      |
| E   | 0.051  | 0.059 | 1.3   | 1.5   |      |
| F   | 0.008  | 0.016 | 0.2   | 0.4   |      |
| G   | 0.016  | 0.024 | 0.4   | 0.6   |      |
| H   | 0.039  | 0.047 | 1.0   | 1.2   |      |
| J   | 0.012  | 0.020 | 0.3   | 0.5   |      |
| K   | 0.043  | 0.051 | 1.1   | 1.3   |      |

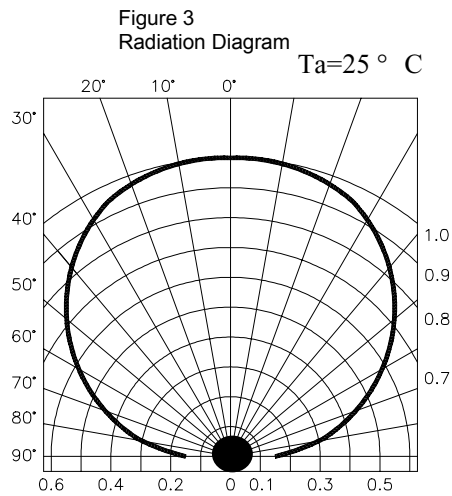
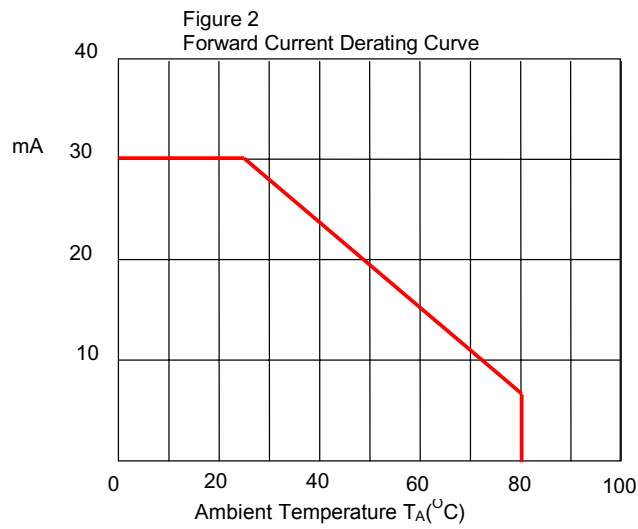
#### SUGGESTED SOLDER PAD LAYOUT



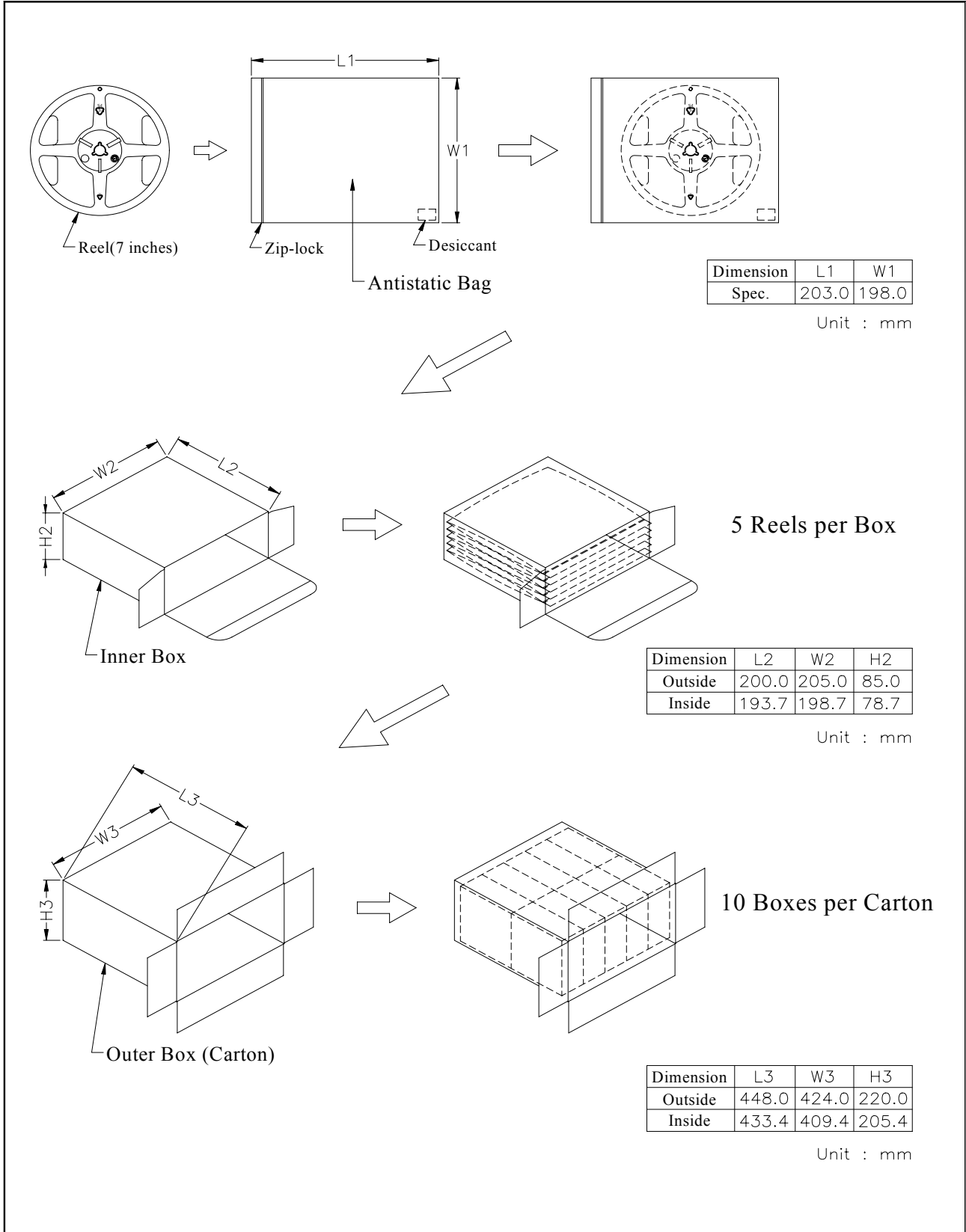
# MC-SP110DBW

## ELECTRICAL CHARACTERISTICS @25°C

| MCC PART NUMBER | LIGHTING COLOR | MATERIAL | VF(V) |     | λ(nm) |                  | VIEW ANGLE | Iv*(mcd) TYP |
|-----------------|----------------|----------|-------|-----|-------|------------------|------------|--------------|
|                 |                |          | TYPE  | MAX | λ p   | λ D              |            |              |
| MC-SP110DBW     | White          | InGaN    | 3.5   | 4.2 | ----- | X:0.32<br>Y:0.35 | 110°       | 190          |



◆ Packing and Shipping Spec.



**Tape Specification: 3000pcs Per Reel**

| Packing Size |       |       |       |       |                  |       |       |       |       |       |       |       |
|--------------|-------|-------|-------|-------|------------------|-------|-------|-------|-------|-------|-------|-------|
| Item         | M     | G     | L     | N     | H                | R     | J     | K     | P     | F     | A     | B     |
| Spec.        | 8.00  | 4.00  | 1.75  | 3.50  | 1.50             | 1.00  | 4.00  | 2.00  | 1.40  | 2.30  | 1.10  | 0.23  |
| Tolerance    | ±0.20 | ±0.10 | ±0.10 | ±0.05 | + 0.10<br>- 0.00 | ±0.10 | ±0.05 | ±0.05 | ±0.10 | ±0.10 | ±0.10 | ±0.05 |

