

XC6371/6372/6373 Series



PWM Controlled Step - Up DC/DC Contorllers/Convereters

☆GO-Compatible

- ◆CMOS Low Power Consumption
- ◆Operating Voltage :0.9V~10.0V
- ◆Output Voltage Range :2.0V~7.0V
- ◆Output Voltage Accuracy :±2.5%
- ◆Oscillation Frequency :50kHz, 100kHz, 180kHz(XC6371/72) 30kHz (XC6373)

■APPLICATIONS

- Cellular phones, Pagers
- Palmtops
- Cameras, Video recorders
- Portable products

■GENERAL DESCRIPTION

The XC6371/6372/6373 series are a group of PWM controlled and PWM/PFM controlled step-up DC/DC converters. The built-in 1.4Ω switching transistor type enables a step-up circuit to be configured using only three components, a coil, a diode, and a capacitor.

Output voltage can be selectable in the range from 2.0V to 7.0V in increments of 100mV (accuracy: ± 2.5%). Oscillation frequency is also selectable from 50kHz, 100kHz, and 180kHz (accuracy: ±15%) for the XC6371 and the XC6372 series. Soft-start time is internally set and offers protection against in-rush currents when the power is switched on and prevents voltage overshoot. 5 pin packages, which are provided with either a CE (chip enable) function that reduces power consumption during shut-down mode, or a VDD pin (separated power and voltage detect pins) are available.

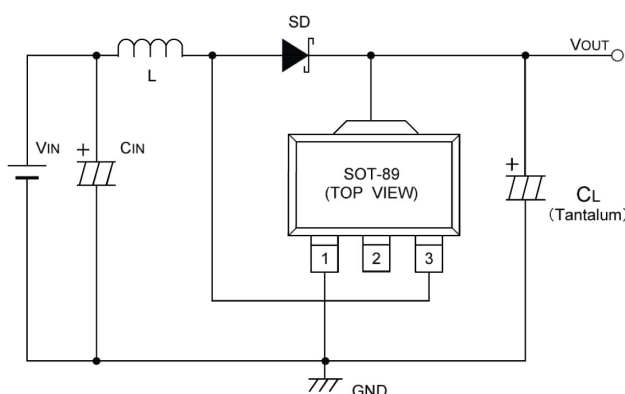
The XC6371 series is the standard PWM controlled products. The control of the XC6372 series switches from PWM to PFM control during light loads when automatically switching is selected and the series is highly efficient from light loads to large output currents. Since the XC6373 series is a low noise, it is suitable for a wireless circuit. Also the series is particularly suited for use with pager applications because oscillation frequency is set at 30kHz (±20%) so as to attain the lowest consumption current possible.

■FEATURES

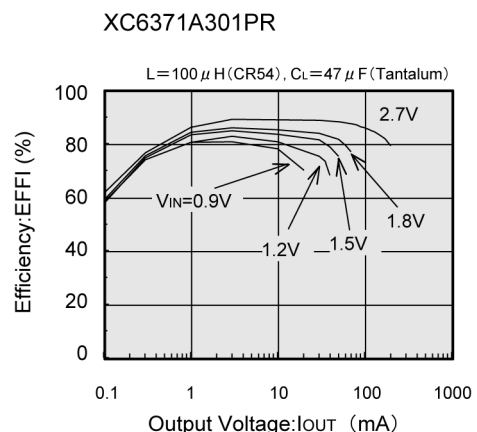
- Operation Start Voltage Range:** 0.9V~10V
- Output Voltage Range :** 2.0V~7.0V in 100mV increments
- Highly Accurate :** Setting voltage accuracy ±2.5%
- Oscillation Frequency :** 50kHz, 100kHz, 180kHz (±15%) selectable (XC6371/72) 30kHz (XC6373)
- Maximum Output Currents (Tr. built-in) :** 100mA(TYP.) @ VIN=3.0V, VOUT=5.0V *
- Highly Efficient (Tr. built-in) :** 85%(TYP.) @ VIN=3.0V, VOUT=5.0V *
- Built-in switching transistor type.**
- Five-lead packaged units offer either chip enable or independent VOUT pin option.**
- Phase compensation and soft start-up circuits built-in.**
- Small Packages :** SOT-89, SOT-89-5, USP-6B

*: Performance depends on external components and PCB layout.

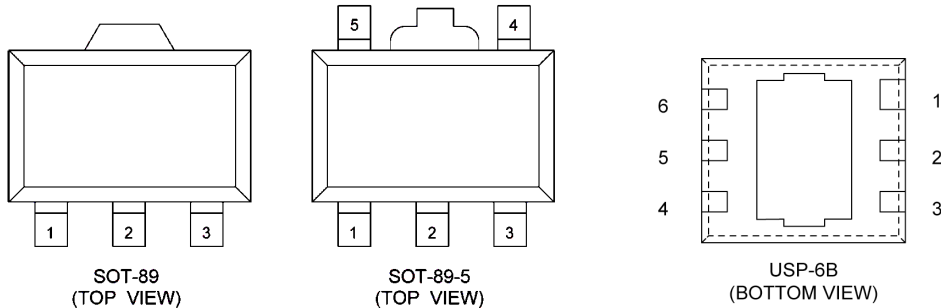
■TYPICAL APPLICATION CIRCUIT



■TYPICAL PERFORMANCE CHARACTERISTICS



PIN CONFIGURATION



*The dissipation pad for the USP-6B package should be solder-plated in recommended mount pattern and metal masking so as to enhance mounting strength and heat release. If the pad needs to be connected to other pins, it should be connected to the pin No.1.

PIN ASSIGNMENT

XC6371/72/73A

PIN NUMBER		PIN NAME	FUNCTION
SOT-89	USP-6B		
1	6	Vss	Ground
2	1	VOUT	Output Voltage Monitor/IC Internal Power Supply
3	4	Lx	Switch
—	2, 3, 5	NC	No Connection

XC6371/72/73C

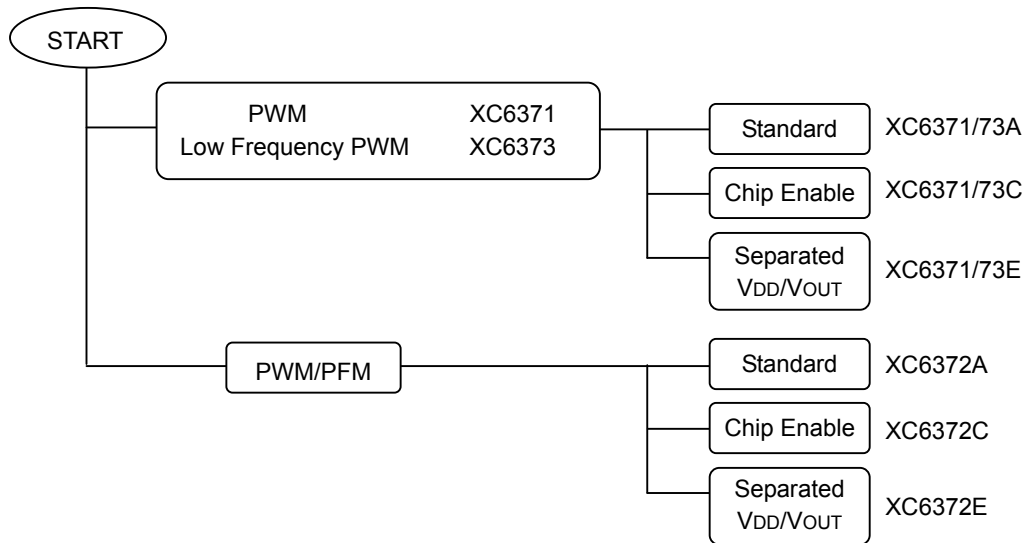
PIN NUMBER		PIN NAME	FUNCTION
SOT-89-5	USP-6B		
5	6	Vss	Ground
2	1	VOUT	Output Voltage Monitor/IC Internal Power Supply
4	4	Lx	Switch
3	3	CE	Chip Enable
1	2, 5	NC	No Connection

XC6371/72/73E

PIN NUMBER		PIN NAME	FUNCTION
SOT-89-5	USP-6B		
5	6	Vss	Ground
2	1	VDD	IC Internal Power Supply
4	4	Lx	Switch
3	3	VOUT	Output Voltage Monitor
1	2, 5	NC	No Connection

■ PRODUCT CLASSIFICATION

● Selection Guide



● Ordering Information

XC6371①②③④⑤⑥ : PWM controlled

XC6372①②③④⑤⑥ : PWM/PFM switching control

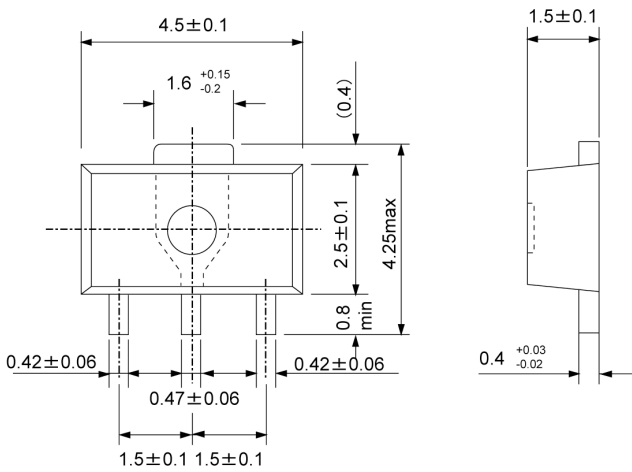
DESIGNATOR	DESCRIPTION	SYMBOL	DESCRIPTION
①	Type of Regulator	A	: 3-pin regulator with built-in switching transistor
		C	: Stand-by capability with built-in switching transistor
		E	: Separated VDD and VOUT with built-in switching transistor
② ③	Output Voltage	Integer	: e.g. VOUT=3.5V→②=3, ③=5
④	Oscillation Frequency	0	: 50kHz
		1	: 100kHz
		2	: 180kHz
⑤	Package	P	: SOT-89 (XC6371/72 A type)
			: SOT-89-5 (XC6371/72 C/D type)
		D	: USP-6B
⑥	Device Orientation	R	: Embossed tape, standard feed
		L	: Embossed tape, reverse feed

XC6373①②③④⑤⑥ : PWM controlled

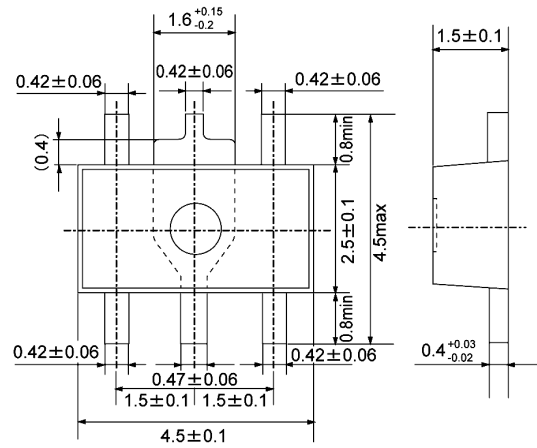
DESIGNATOR	DESCRIPTION	SYMBOL	DESCRIPTION
①	Type of Regulator	A	: 3-pin regulator with built-in switching transistor
		C	: Stand-by capability with built-in switching transistor
		E	: Separated VDD and VOUT with built-in switching transistor
② ③	Output Voltage	Integer	: e.g. VOUT=3.5V→②=3, ③=5
④	Oscillation Frequency	0	: 30kHz
⑤	Package	P	: SOT-89 (XC6373 A type)
			: SOT-89-5 (XC6373 C/D type)
		D	: USP-6B
⑥	Device Orientation	R	: Embossed tape, standard feed
		L	: Embossed tape, reverse feed

PACKAGING INFORMATION

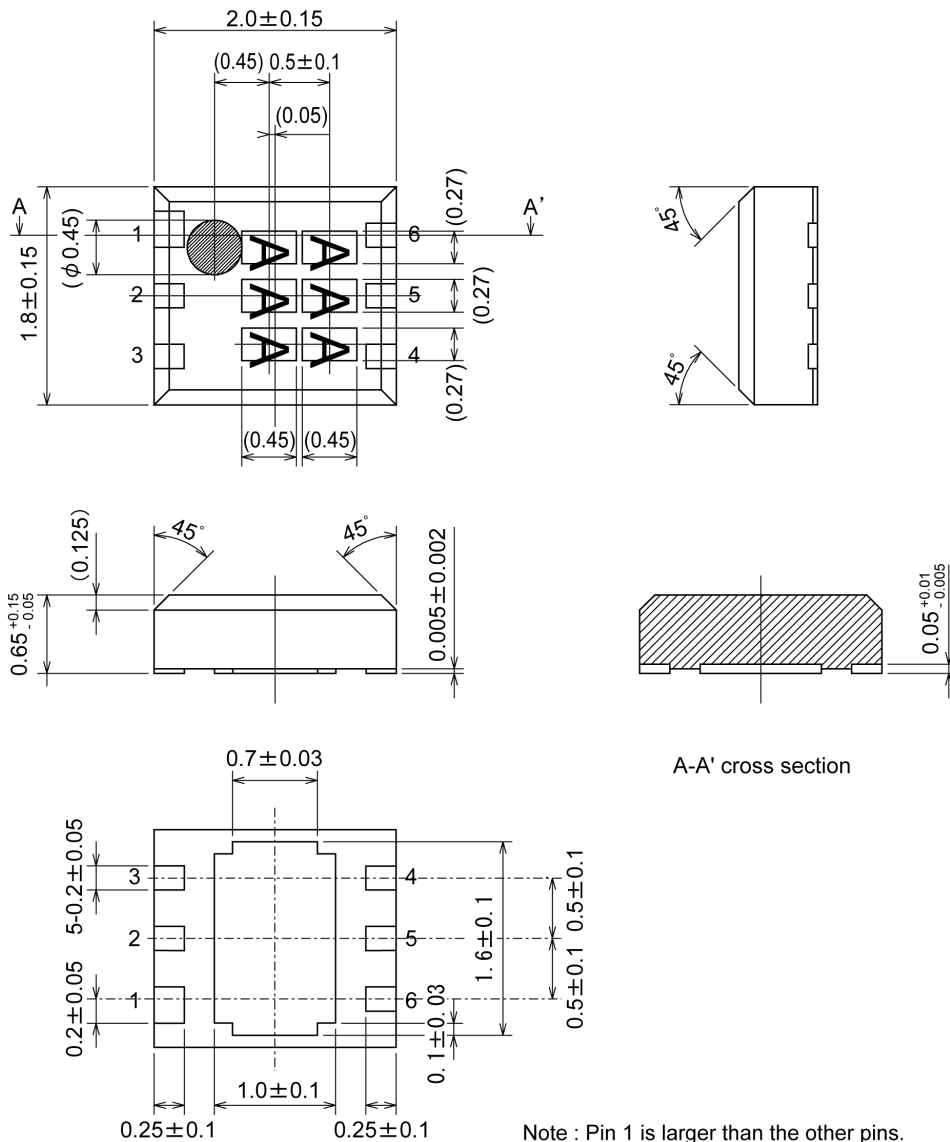
● SOT-89



● SOT-89-5



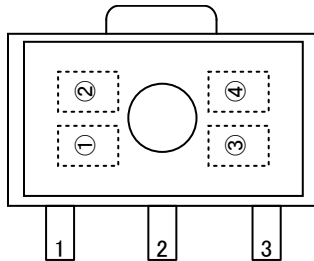
● USP-6B



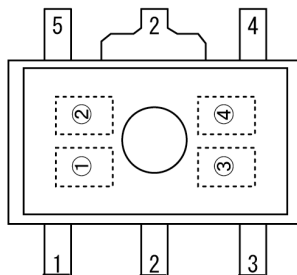
MARKING RULE

[XC6371/72]

● SOT-89, SOT-89-5



SOT-89
(TOP VIEW)



SOT-89-5
(TOP VIEW)

① Represents product series

MARK	PRODUCT SERIES
A	XC6371A
A	XC6371C
S	XC6371E

MARK	PRODUCT SERIES
1	XC6372A
1	XC6372C
3	XC6372E

② Represents integer of output voltage and oscillation frequency

OUTPUT VOLTAGE (V)	OSCILLATION FREQUENCY		
	50kHz	100kHz	180kHz
1.x	B	1	1
2.x	C	2	2
3.x	F	3	3
4.x	E	4	4
5.x	F	5	5
6.x	H	6	6
7.x	K	7	7

③ Represents decimal number of output voltage and oscillation frequency

OUTPUT VOLTAGE (V)	OSCILLATION FREQUENCY		
	50kHz	100kHz	180kHz
x.0	0	0	A
x.1	1	1	B
x.2	2	2	C
x.3	3	3	D
x.4	4	4	E
x.5	5	5	F
x.6	6	6	H
x.7	7	7	K
x.8	8	8	L
x.9	9	9	M

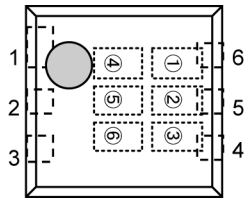
④ Represents production lot number

0 to 9, A to Z repeated (G, I, J, O, Q, W excepted).

MARKING RULE (Continued)

[XC6371/72] (Continued)

● USP-6B



USP-6B
(TOP VIEW)

① Represents product series

MARK	PRODUCT SERIES
5	XC6371xxxxDx
2	XC6372xxxxDx

② Represents product classification

MARK	PRODUCT SERIES
A	XC6371A
C	XC6371C
E	XC6371E

③④ Represents output voltage (ex.)

MARK		OUTPUT VOLTAGE (V)
③	④	
3	3	3.3
5	0	5.0

⑤ Represents oscillation frequency

MARK	OSCILLATION FREQUENCY (kHz)
0	50
1	100
2	180

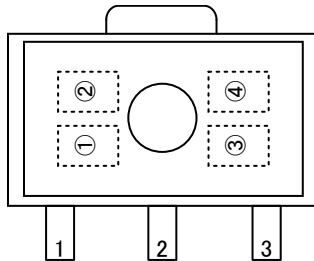
⑥ Represents production lot number

0 to 9, A to Z repeated (G, I, J, O, Q, W excepted)

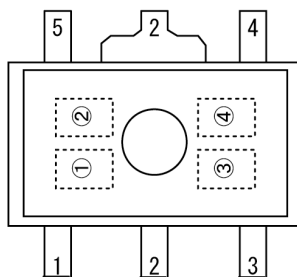
Note: No character inversion used.

MARKING RULE (Continued)

● SOT-89, SOT-89-5



SOT-89
(TOP VIEW)



SOT-89-5
(TOP VIEW)

① Represents product series

MARK	FUNCTION		PRODUCT SERIES
A	-	Built-in Transistor	XC6372AxxxPx
A	CE	Built-in Transistor	XC6372CxxxPx
S	Separated VDD and VOUT	Built-in Transistor	XC6372ExxxPx

② Represents integer of output voltage and oscillation frequency

OUTPUT VOLTAGE (V)	OSCILLATION FREQUENCY (PRODUCT SERIES)
	30kHz (XC6373xxx0Px)
1.x	B
2.x	C
3.x	F
4.x	E
5.x	F
6.x	H
7.x	K

③ Represents decimal number of output voltage and oscillation frequency

OUTPUT VOLTAGE (V)	OSCILLATION FREQUENCY (PRODUCT SERIES)
	30kHz (XC6373xxx0Px)
x.0	0
x.1	1
x.2	2
x.3	3
x.4	4
x.5	5
x.6	6
x.7	7
x.8	8
x.9	9

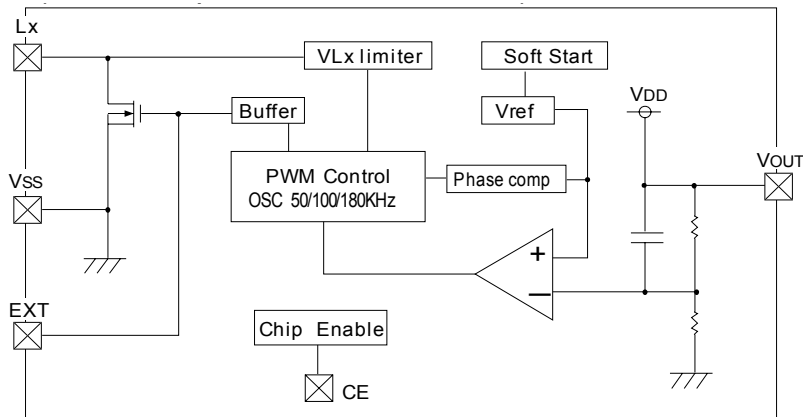
④ Represents production lot number

0 to 9, A to Z repeated (G, I, J, O, Q, W excepted).

■ BLOCK DIAGRAMS

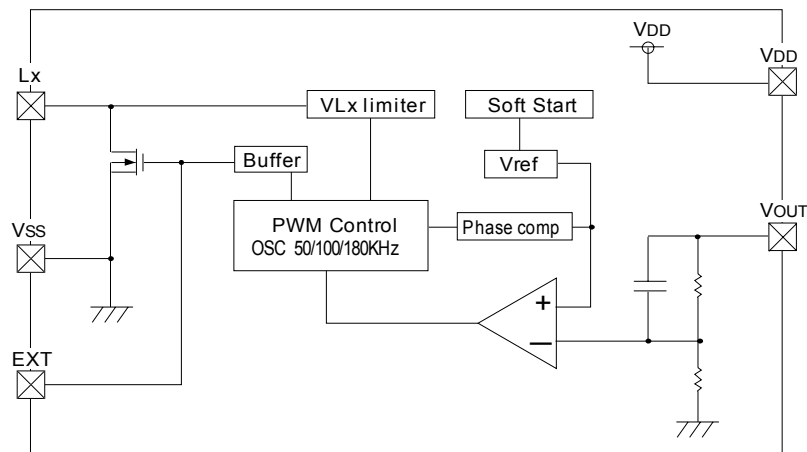
XC6371/72/73A, C

(The V_{OUT} pin serves also as V_{DD})



Note: The CE pin is only used with the XC6371C.

XC6371/72/73E



Note: Built-in transistor type units use the Lx pin.

■ ABSOLUTE MAXIMUM RATINGS

T_a=25°C

PARAMETER	SYMBOL	RATINGS	UNITS
V _{out} Input Voltage	V _{OUT}	12	V
Lx pin Voltage	V _{LX}	12	V
Lx pin Current	I _{LX}	400	mA
CE Input Voltage	V _{CE}	12	V
Power Dissipation	SOT-89, 89-5	500	mW
	USP-6B	100	
V _{DD} Input Voltage	V _{DD}	12	V
Operating Temperature Range	T _{opr}	-30~+80	°C
Storage Temperature Range	T _{stg}	-40~+125	°C

■ ELECTRICAL CHARACTERISTICS

XC6371/72A501PR $V_{OUT}=5.0V$, $F_{OSC}=100kHz$

$T_a=25^{\circ}C$

PARAMETER	SYMBOL	CONDITIONS	MIN.	TYP.	MAX.	UNITS
Output Voltage	V_{OUT}		4.875	5.000	5.125	V
Maximum Input Voltage	V_{IN}		10	-	-	V
Operation Start Voltage	V_{ST1}	External Components Connected, $I_{OUT}=1mA$	-	-	0.90	V
Oscillation Start Voltage	V_{ST2}	No external components. Apply voltage to V_{OUT} Lx : $10k\Omega$ pull-up to 5V	-	-	0.80	V
No Load Input Current	I_{IN}	$V_{IN}=V_{OUT} \times 0.8$, $I_{OUT}=0mA$ (*1)	-	12.8	25.7	μA
Supply Current 1	I_{DD1}	Same as V_{ST2} , Apply output voltage $\times 0.95$ to V_{OUT}	-	80.2	133.8	μA
Supply Current 2	I_{DD2}	Same as V_{ST2} , Apply output voltage $\times 1.1$ to V_{OUT}	-	8.2	16.5	μA
Lx Switch-On Resistance	R_{SWON}	Same as I_{DD1} , $V_{LX}=0.4V$	-	1.4	2.4	Ω
Lx Leak Current	I_{LXL}	No external components. $V_{OUT}=V_{LX}=10V$	-	-	1.0	μA
Oscillation Frequency	F_{OSC}	Same as I_{DD1} . Measuring of Lx waveform	85	100	115	kHz
Maximum Duty Ratio	$MAXDTY$	Same as I_{DD1} . Measuring of Lx waveform	80	87	92	%
PFM Duty Ratio (*4)	$PFMDTY$	Same as I_{DD1} . Measuring of Lx waveform	10	17	25	%
Lx Limit Voltage	V_{LXLMT}	Same as I_{DD1} . Apply output voltage to Lx, Voltage required to produce $F_{OSC} \times 2$	0.7	-	1.3	V
Efficiency	$EFFI$		-	85	-	%
Slow-Start Time	T_{SS}		4.0	10.0	20.0	mS

NOTE: Unless otherwise stated, $V_{IN}=V_{OUT} \times 0.6$, $I_{OUT}=50mA$. See Typical Application Circuits, Circuit1

*1: The Schottky diode (SD) must be type MA735, with reverse current (I_R) $<1.0\mu A$ at reverse voltage (V_R)=10.0V.(XC6372A)

*2: "Supply Current 1" is the supply current while the oscillator is continuously oscillating. In actual operation the oscillator periodically operates which results in less average power consumption. The current actually provided by an external V_{IN} source is represented by "No Load Input Current (I_{IN})".

*3: When PWM operates at PWM Mode.

*4: When PFM operates at PFM Mode.(XC6372A)

XC6371/6372/6373 Series

■ ELECTRICAL CHARACTERISTICS (Continued)

XC6371/72C501PR

V_{OUT}=5.0V, FOSC=100kHz

T_a=25°C

PARAMETER	SYMBOL	CONDITIONS	MIN.	TYP.	MAX.	UNITS
Output Voltage	V _{OUT}		4.875	5.000	5.125	V
Maximum Input Voltage	V _{IN}		10	-	-	V
Operation Start Voltage	V _{ST1}	External Components Connected, I _{OUT} =1mA	-	-	0.90	V
Operation Start Voltage	V _{ST2}	No external components. Apply voltage to V _{OUT} , L _x : 10kΩ pull-up to 5V	-	-	0.80	V
No Load Input Current	I _{IN}	V _{IN} =V _{OUT} × 0.8, I _{OUT} =0mA (*1)	-	12.8	25.7	μA
Supply Current 1	I _{DD1}	Same as V _{ST2} , Apply output voltage × 0.95 to V _{OUT}	-	80.2	133.8	μA
Supply Current 2	I _{DD2}	Same as V _{ST2} , Apply output voltage × 1.1 to V _{OUT}	-	8.2	16.5	μA
Lx Switch-On Resistance	R _{SWON}	Same as I _{DD1} , V _{Lx} =0.4V	-	1.4	2.4	Ω
Lx Leak Current	I _{LXL}	No external components, V _{OUT} =V _{Lx} =10V	-	-	1.0	μA
Oscillation Frequency	FOSC	Same as I _{DD1} , Measuring of Lx waveform	85	100	115	KHZ
Maximum Duty Ratio	MAXDTY	Same as I _{DD1} , Measuring of Lx waveform	80	87	92	%
PFM Duty Ratio (*4)	PFMDTY	Same as I _{DD1} , Measuring of Lx waveform	10	17	25	%
Stand-by Current	I _{STB}	Same as I _{DD1}	-	-	0.5	μA
CE "High" Voltage	V _{CEH}	Same as I _{DD1} , Lx Oscillation start	0.75	-	-	V
CE "Low" Voltage	V _{CEL}	Same as I _{DD1} , Lx Oscillation stop	-	-	0.20	V
CE "High" Current	I _{CEH}	Same as I _{DD1} , V _{CE} =V _{OUT} × 0.95	-	-	0.25	μA
CE "Low" Current	I _{CEL}	Same as I _{DD1} , V _{CE} =0V	-	-	-0.25	μA
Lx Limit Voltage	V _{LxLMT}	Same as I _{DD1} , Apply output voltage to Lx, Voltage required to produce FOSC × 2	0.7	-	1.3	V
Efficiency	EFFI		-	85	-	%
Slow-Start Time	T _{SS}		4.0	10.0	20.0	ms

NOTE: Unless otherwise stated, connect CE to V_{OUT}, V_{IN}=V_{OUT} × 0.6, I_{OUT}=50mA. See Typical Application Circuits, Circuit 2.

*1: The Schottky diode (SD) must be type MA735, with reverse current (I_R)<1.0 μA at reverse voltage (V_R)=10.0V.(XC6372C)

*2: "Supply Current 1" is the supply current while the oscillator is continuously oscillating. In actual operation the oscillator periodically operates which results in less average power consumption. The current actually provided by an external V_{IN} source is represented by "No Load Input Current (I_{IN})".

*3: When PWM operates at PWM Mode.

*4: When PFM operates at PFM Mode.(XC6372C)

■ ELECTRICAL CHARACTERISTICS (Continued)

XC6371/72E501PR

V_{OUT}=5.0V, FOSC=100kHz

T_a=25°C

PARAMETER	SYMBOL	CONDITIONS	MIN.	TYP.	MAX.	UNITS
Output Voltage	V _{OUT}		4.875	5.000	5.125	V
Maximum Input Voltage	V _{IN}		10	-	-	V
Operation Start Voltage	V _{ST1}	External Components Connected, I _{OUT} =1mA	-	-	0.90	V
Oscillation Start Voltage	V _{ST2}	No external components, Apply voltage to V _{OUT} , Lx:10kΩ pull-up to 5V	-	-	0.80	V
No Load Input Voltage	I _{IN}	V _{IN} =V _{OUT} × 0.8, I _{OUT} =0mA(*1)	-	12.8	25.7	μA
Supply Current 1	I _{DD1}	Same as V _{ST2} , Apply output voltage × 0.95 to V _{OUT}	-	80.2	133.8	μA
Supply Current 2	I _{DD2}	Same as V _{ST2} , Apply output voltage × 1.1 to V _{OUT}	-	8.2	16.5	μA
Lx Switch-On Resistance	R _{SWON}	Same as I _{DD1} , V _{LX} =0.4V	-	1.4	2.4	Ω
Lx Leak Current	I _{LXL}	No external components, V _{OUT} =V _{LX} =10V	-	-	1.0	μA
Oscillation Frequency	FOSC	Same as I _{DD1} , Measuring of Lx waveform	85	100	115	KHZ
Maximum Duty Ratio	MAXDTY	Same as I _{DD1} , Measuring of Lx waveform	80	87	92	%
PFM Duty Ratio (*4)	PFMDTY	Same as I _{DD1} , Measuring of Lx waveform	10	17	25	%
Lx Limit Voltage	V _{LXLMT}	Same as I _{DD1} , Apply output voltage to Lx, Voltage required to produce FOSC × 2	0.7	-	1.3	V
Efficiency	EFFI		-	85	-	%
Slow-Start Time	T _{SS}		4.0	10.0	20.0	ms

NOTE: Unless otherwise stated, connect V_{DD} to V_{OUT}, V_{IN}=V_{OUT} × 0.6, I_{OUT}=50mA. See Typical Application Circuits, Circuit 3.

*1: The Schottky diode (SD) must be type MA2Q735, with reverse current (I_R)<1.0 μA at reverse voltage (V_R)=10.0V.(XC6372E)

*2: "Supply current 1" is the supply current while the oscillator is continuously oscillating. In actual operation the oscillator periodically operates which results in less average power consumption. The current actually provided by external V_{IN} source is represented by "No Load Input Current (I_{IN})".

*3: When PWM operates at PWM Mode.

*4: When PFM operates at PFM Mode.(XC6372E)

*5: When the V_{DD} and V_{OUT} pins are independently used, the voltage range at the V_{DD} pin should be 2.2V to 10V. The IC operates from V_{DD}=0.8V. However, output voltage and oscillation frequency are properly stabilized when V_{DD}=2.2V or higher.

XC6371/6372/6373 Series

■ ELECTRICAL CHARACTERISTICS (Continued)

XC6373A300PR $V_{OUT}=3.0V$, $F_{OSC}=30kHz$

$T_a=25^{\circ}C$

PARAMETER	SYMBOL	CONDITIONS	MIN.	TYP.	MAX.	UNITS
Output Voltage	V_{OUT}		2.925	3.000	3.075	V
Maximum Input Voltage	V_{IN}		10	-	-	V
Operation Start Voltage	V_{ST1}	External Components Connected, $I_{OUT}=1mA$	-	-	0.90	V
Oscillation Start Voltage	V_{ST2}	No external components, Apply voltage to V_{OUT} , $L_X : 10k\Omega$ pull-up to 5V	-	-	0.80	V
Supply Current 1	I_{DD1}	Same as V_{ST2} . Apply output voltage $\times 0.95$ to V_{OUT}	-	13.1	21.9	μA
Supply Current 2	I_{DD2}	Same as V_{ST2} , Apply output voltage $\times 1.1$ to V_{OUT}	-	3.9	7.9	μA
Lx Switch-On Resistance	R_{SWON}	Same as I_{DD1} , $V_{LX}=0.4V$	-	3.4	5.7	Ω
Lx Leak Current	I_{LXL}	No external components, $V_{OUT} = V_{LX}=10V$	-	-	1.0	μA
Oscillation Frequency	F_{OSC}	Same as I_{DD1} , Measuring of Lx waveform	24	30	36	KHZ
Maximum Duty Ratio	$MAXDTY$	Same as I_{DD1} , Measuring of Lx waveform	80	87	92	%
Efficiency	$EFFI$		-	77	-	%
Slow-Start Time	T_{SS}		4.0	10.0	20.0	mS

NOTE: Unless otherwise stated, $V_{IN}=V_{OUT} \times 0.6$, $I_{OUT}=15mA$. See Typical Application Circuits, Circuit 1.

XC6373A330PR $V_{OUT}=3.3V$, $F_{OSC}=30kHz$

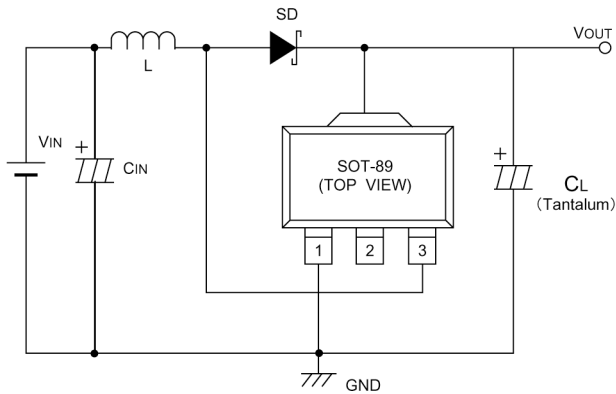
$T_a=25^{\circ}C$

PARAMETER	SYMBOL	CONDITIONS	MIN.	TYP.	MAX.	UNITS
Output Voltage	V_{OUT}		3.128	3.300	3.383	V
Maximum Input Voltage	V_{IN}		10	-	-	V
Operation Start Voltage	V_{ST1}	External Components Connected, $I_{OUT}=1mA$	-	-	0.90	V
Oscillation Start Voltage	V_{ST2}	No external components, Apply voltage to V_{OUT} , $L_X : 10k\Omega$ pull-up to 5V	-	-	0.80	V
Supply Current 1	I_{DD1}	Same as V_{ST2} , Apply output voltage $\times 0.95$ to V_{OUT}	-	14.1	23.5	μA
Supply Current 2	I_{DD2}	Same as V_{ST2} , Apply output voltage $\times 1.1$ to V_{OUT}	-	4.0	8.1	μA
Lx Switch-On Resistance	R_{SWON}	Same as I_{DD1} . $V_{LX}=0.4V$	-	3.4	5.7	Ω
Lx Leak Current	I_{LXL}	No external components, $V_{OUT} = V_{LX}=10V$	-	-	1.0	μA
Oscillation Frequency	F_{OSC}	Same as I_{DD1} , Measuring of Lx waveform	24	30	36	KHZ
Maximum Duty Ratio	$MAXDTY$	Same as I_{DD1} , Measuring of Lx waveform	80	87	92	%
Efficiency	$EFFI$		-	77	-	%
Slow-Start Time	T_{SS}		4.0	10.0	20.0	mS

NOTE: Unless otherwise stated, $V_{IN}=V_{OUT} \times 0.6$, $I_{OUT}=16.5mA$. See Typical Application Circuits, Circuit 1.

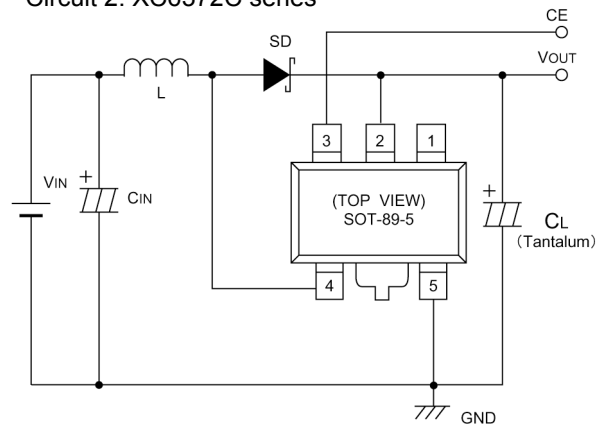
■ TYPICAL APPRICATION CIRCUITS

Circuit 1: XC6372A series



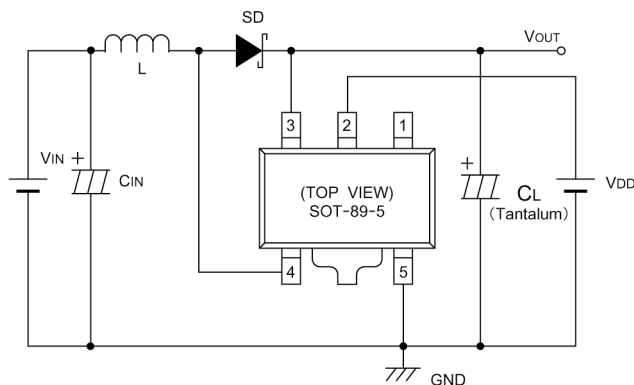
L : 100 μ H (SUMIDA, CR54)
SD : MA2Q735 (Schottky diode; MATSUSHITA)
CL : 16V 47 μ F (Tantalum capacitor, NICHICHEMI MCE)
CIN : 16V 220 μ F (Aluminium Electrolytic Capacitor)

Circuit 2: XC6372C series



L : 100 μ H (CR54, SUMIDA)
SD : MA2Q735 (Schottky Diode; MATUSHITA)
CL : 16V 47 μ F (Tantalum Capacitor, NICHICHEMI MCE)
CIN : 16V 220 μ F (Aluminium Electrolytic Capacitor)

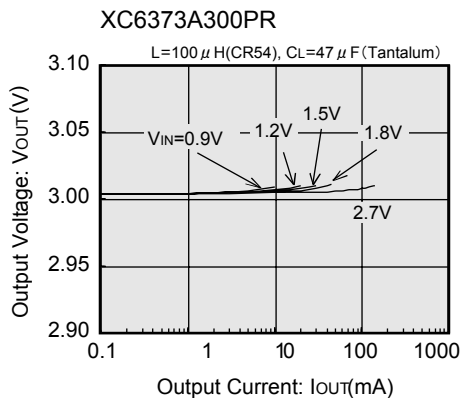
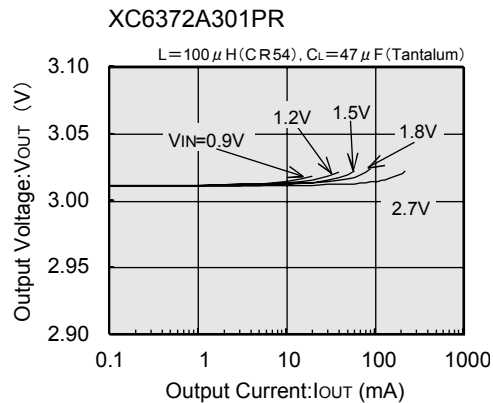
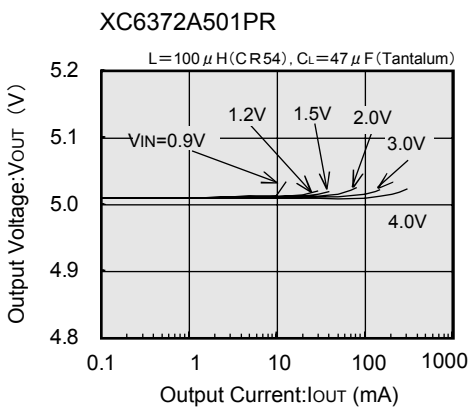
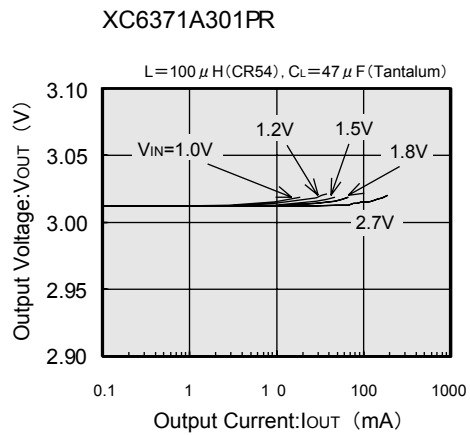
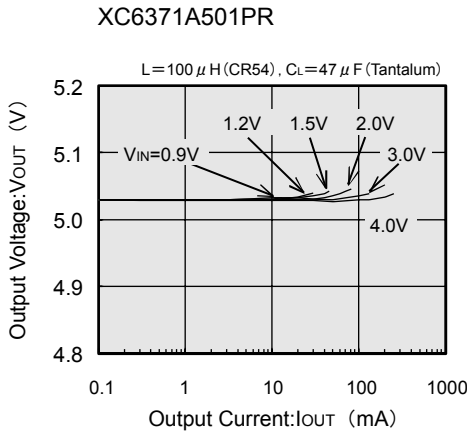
Circuit 3: XC6372E series



L : 100 μ H (CR54, SUMIDA)
SD : MA2Q735 (Schottky Diode; MATUSHITA)
CL : 16V 47 μ F (Tantalum Capacitor; NICHICHEMI MCE)
CIN : 16V 220 μ F (Aluminium Electrolytic Capacitor)

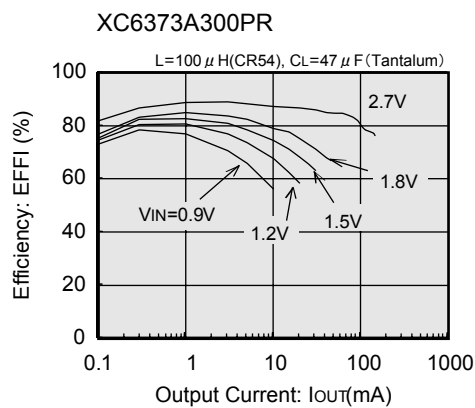
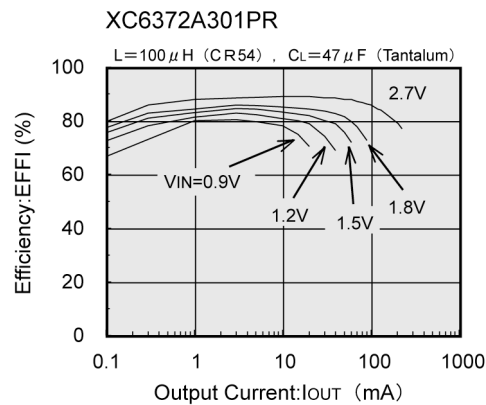
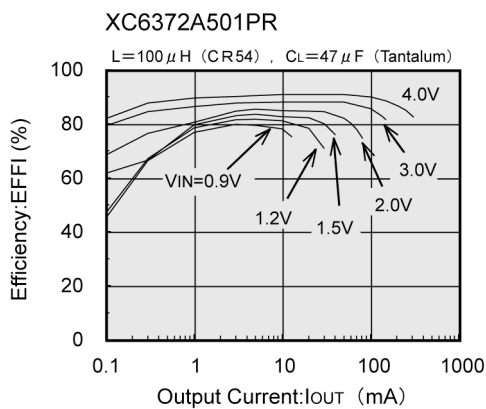
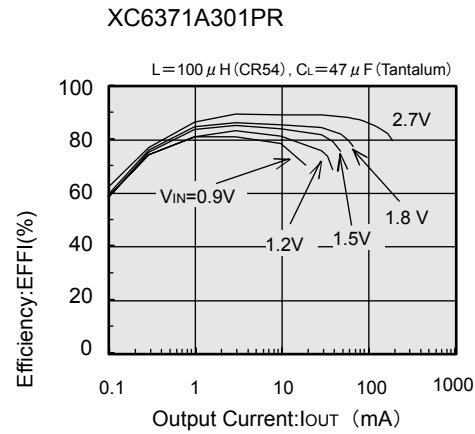
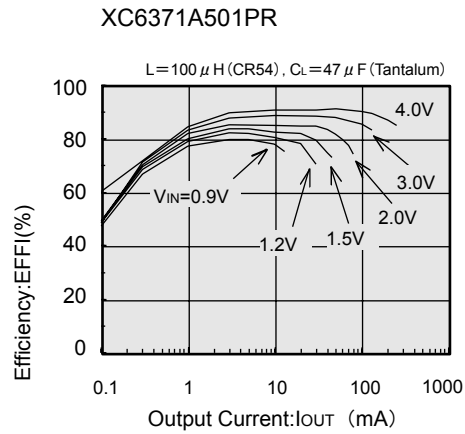
■ TYPICAL PERFORMANCE CHARACTERISTICS

(1) Output Voltage vs. Output Current



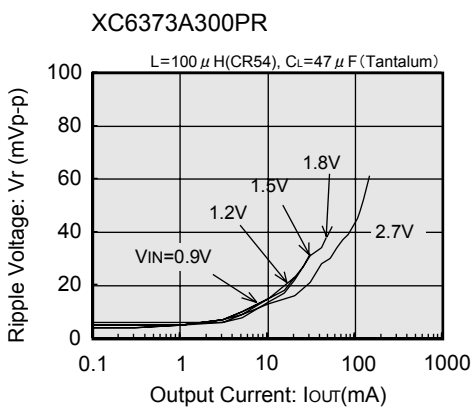
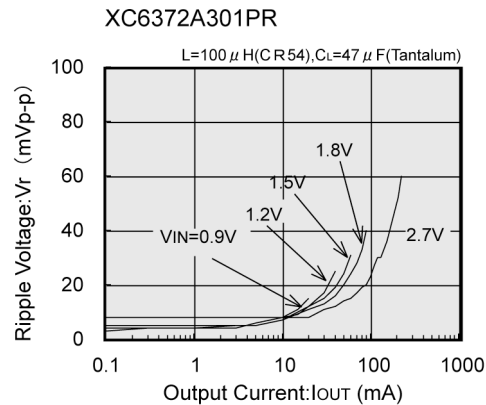
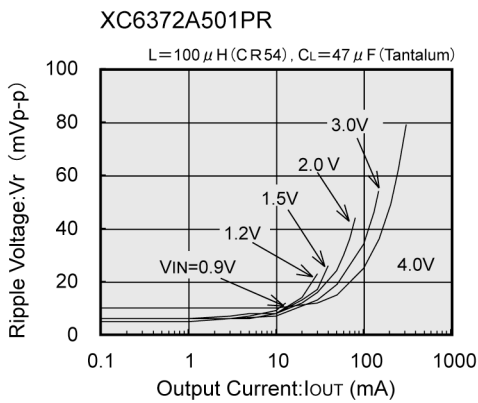
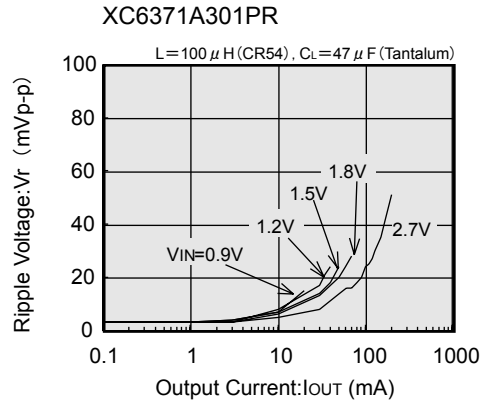
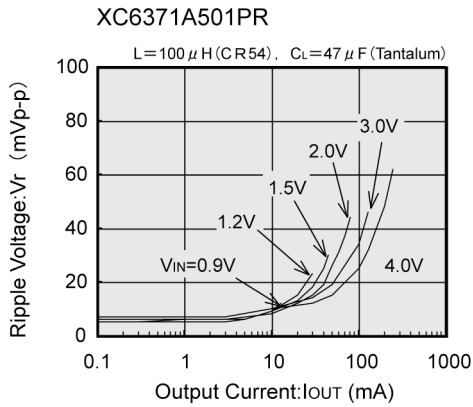
■ TYPICAL PERFORMANCE CHARACTERISTICS (Continued)

(2) Efficiency vs. Output Current



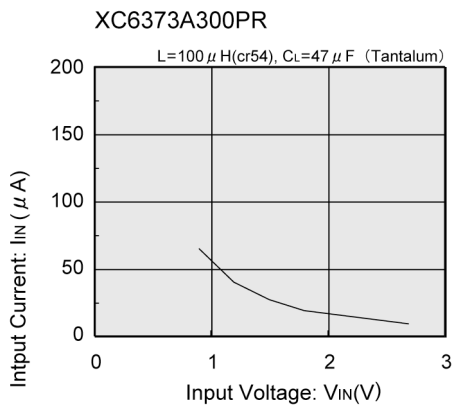
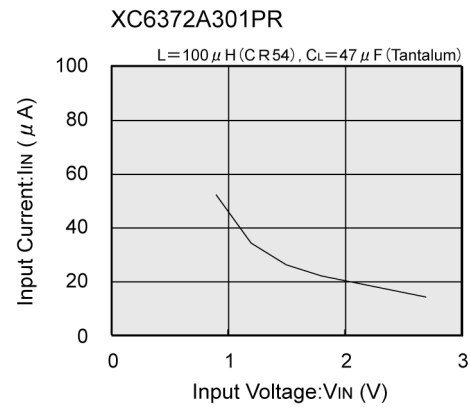
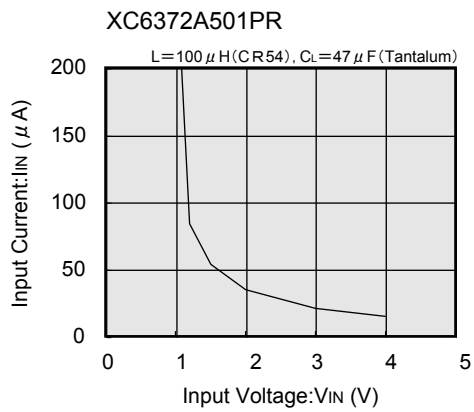
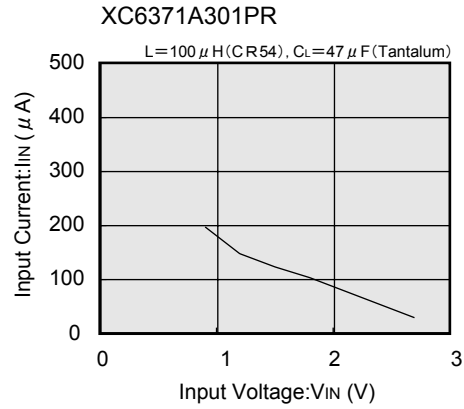
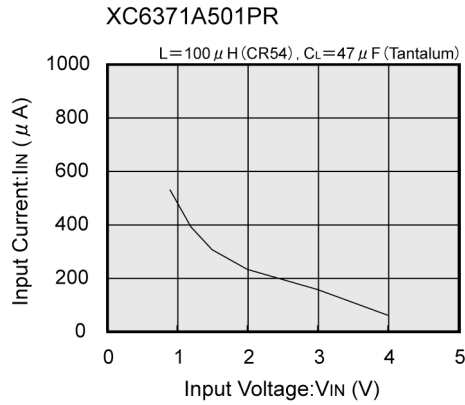
■ TYPICAL PERFORMANCE CHARACTERISTICS (Continued)

(3) Ripple Voltage vs. Output Current



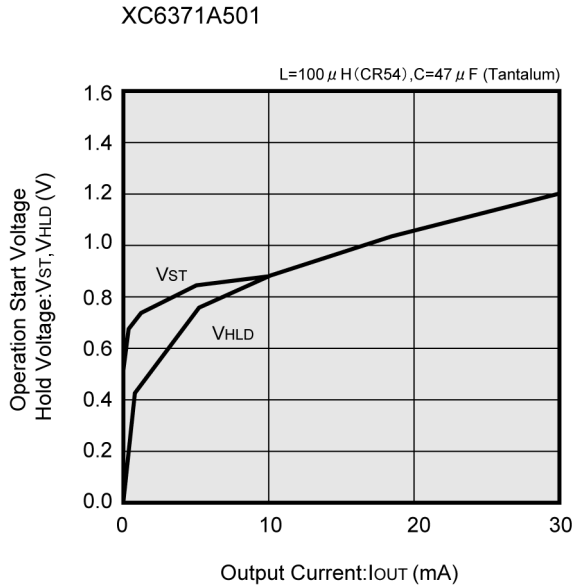
■ TYPICAL PERFORMANCE CHARACTERISTICS (Continued)

(4) No Load Input Current vs. Input Voltage



■ TYPICAL PERFORMANCE CHARACTERISTICS (Continued)

(5) Operation Start Voltage / Hold Voltage vs. Output Current



(6) Load Transient Response

