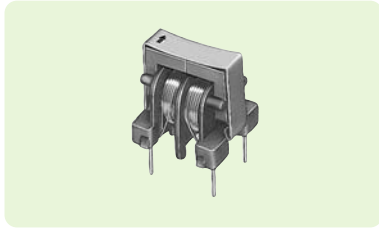


**MURATA type PLA10**

EMIFIL®

A range of uncased vertical core, compact common mode chokes. Suitable for AC power input filtering of common mode noise.



- ◆ Ideal for AC power input
- ◆ High inductance
- ◆ Compact size



**Specification**

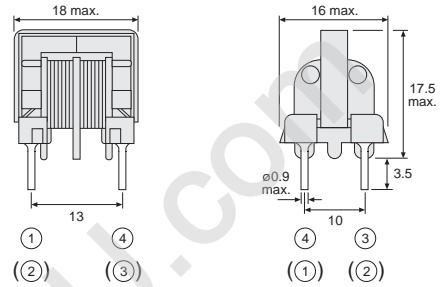
Voltage rating ..... 300V  
 Withstand voltage ..... 2000V  
 Insulation resistance ..... 100MΩ min.  
 Operating temperature range ..... -25°C to +120°C

Current Rating (Aac)	Inductance min. (mH)	DC Resistance max. (Ω)
0.3	43	4.0
0.4	30	2.7
0.5	20	1.8
0.6	12	1.2
0.7	10	0.86
0.8	7.4	0.64
1.0	5.5	0.46
1.2	3.5	0.32
1.3	3.0	0.26
1.5	2.2	0.22
1.7	1.8	0.18
2.0	1.5	0.15

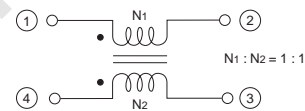
**Manf. Part No. & Anglia Order Code**

- PLA10AN4330R3R2B
- PLA10AN3030R4R2B
- PLA10AN2030R5R2B
- PLA10AN1230R6R2B
- PLA10AN1030R7R2B
- PLA10AN7420R8R2B
- PLA10AN5521R0R2B
- PLA10AN3521R2R2B
- PLA10AN3021R3R2B
- PLA10AN2221R5R2B
- PLA10AN1821R7R2B
- PLA10AN1522R0R2B

**Dimensions (mm)**



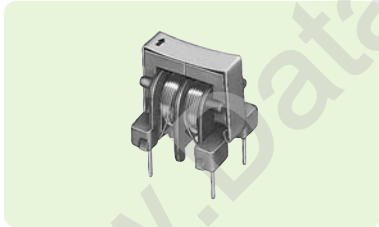
**Schematic**



**MURATA type PLH10**

EMIFIL®

A range of uncased vertical core, compact high frequency common mode chokes. Suitable for common mode filtering and AC supply applications such as switch mode power supplies.



- ◆ Ideal for SMPS
- ◆ High frequency
- ◆ Compact size

**Specification**

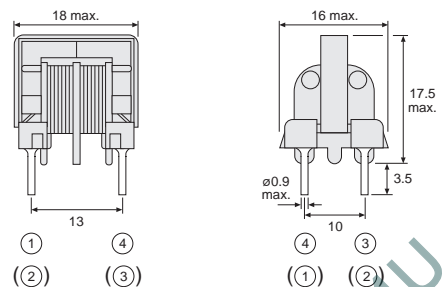
Voltage rating ..... 300V  
 Withstand voltage ..... 2000V  
 Insulation resistance ..... 100MΩ min.  
 Operating temperature range ..... -25°C to +120°C

Current Rating (Aac)	Inductance min. (µH)	DC Resistance max. (Ω)
1.0	370	0.30
1.2	290	0.21
1.5	220	0.14
2.1	160	0.08
2.6	110	0.06
3.6	70	0.03

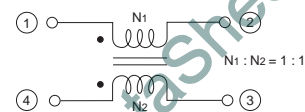
**Manf. Part No. & Anglia Order Code**

- PLH10AN3711R0P2B
- PLH10AN2911R2P2B
- PLH10AN2211R5P2B
- PLH10AN1612R1P2B
- PLH10AN1112R6P2B
- PLH10AN7003R6P2B

**Dimensions (mm)**



**Schematic**



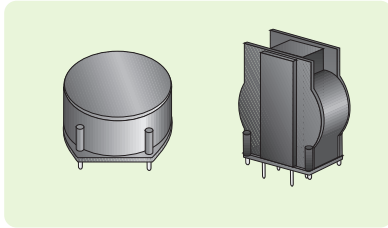
**Panasonic**

A range of Panasonic Common Mode Chokes is also available from Anglia. For the very latest information visit our website : [www.angliac.com/panasonic](http://www.angliac.com/panasonic)

Alternatively, contact our Sales Desk to discuss your specific requirements.

## EPCOS type B82721 & B82724 series

A range of fully encapsulated common mode power line chokes offered in horizontal or vertical mounting styles with a wide range of rated currents, up to 6A. Designed for AC power input filtering of common mode noise. Approvals to EN60938-2, UL1283 and VDE0565-2.



- ◆ Fully encapsulated design to **UL94V-0**
- ◆ **Ideal for lighting and PSU**
- ◆ High resonant frequency
- ◆ Current ratings up to **6A**
- ◆ Horizontal or vertical mounting option



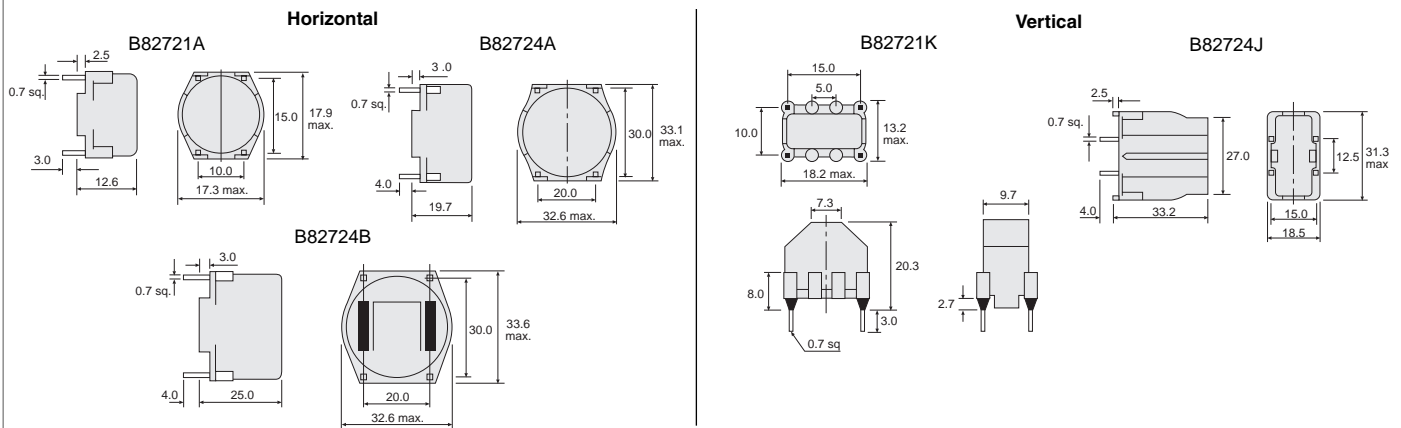
### Specification

Rated voltage ..... 250Vac  
 Rated current ..... at 50Hz/60°C (see table)  
 Inductance tolerance ..... ±30%  
 Test voltage ..... 1500Vac, 2 seconds (line/line)

### Schematic



### Dimensions (mm)



### B82721 series

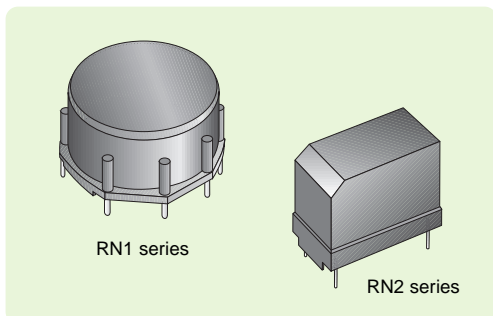
Current Rating (Aac)	Inductance (mH)	DC Resistance typ. (mΩ)	Manf. Part No. & Anglia Order Code	
			Horizontal	Vertical
0.4	39	2000	<b>B82721A2401N20</b>	<b>B82721K2401N20</b>
0.4	27	1700	<b>B82721A2401N21</b>	<b>B82721K2401N21</b>
0.5	18	1500	<b>B82721A2501N1</b>	<b>B82721K2501N1</b>
0.7	10	600	<b>B82721A2701N20</b>	<b>B82721K2701N20</b>
1.2	6.8	280	<b>B82721A2122N20</b>	<b>B82721K2122N20</b>
1.5	3.3	190	<b>B82721A2152N1</b>	<b>B82721K2152N1</b>
2.0	1.0	90	<b>B82721A2202N1</b>	<b>B82721K2202N1</b>
2.6	0.4	60	<b>B82721A2262N1</b>	<b>B82721K2262N1</b>
3.6	0.4	35	<b>B82721A2362N1</b>	<b>B82721K2362N1</b>

### B82724 series

Current Rating (Aac)	Inductance (mH)	DC Resistance typ. (mΩ)	Manf. Part No. & Anglia Order Code	
			Horizontal	Vertical
0.5	82	2700	<b>B82724A2501N1</b>	<b>B82724J2501N1</b>
1.0	47	880	<b>B82724B2102N1</b>	-
1.0	33	810	<b>B82724A2102N1</b>	<b>B82724J2102N1</b>
1.4	27	500	<b>B82724A2142N1</b>	<b>B82724J2142N1</b>
2.0	10	230	<b>B82724B2202N1</b>	-
2.0	6.8	190	<b>B82724A2202N1</b>	<b>B82724J2202N1</b>
4.0	3.9	58	<b>B82724B2402N1</b>	-
4.0	3.3	66	<b>B82724A2402N1</b>	<b>B82724J2402N1</b>
6.0	1.8	23	<b>B82724B2602N1</b>	-

**SCHAFFNER type RN**

A range of current compensated, common mode chokes available in two pcb mounting styles - the horizontal RN1 series, which offers a low profile body, and the vertical RN2 series, which occupies the minimum of board space. Ideal for general purpose common/asymmetrical mode applications. Housings are flame retardant to UL94V-0.

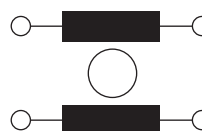


- ◆ Current ratings from **0.3A to 10A**
- ◆ Inductance values from **0.7mH to 100mH**
- ◆ Common mode resonance frequencies from **100kHz to 3MHz**
- ◆ Choice of package style - **horizontal** (RN1 series) or **vertical** (RN2 series)
- ◆ 11 body size options
- ◆ Flame retardant to UL94V-0

**Specification**

Voltage rating ..... 250Vac at 40°C  
 Hipot test (1 min.) ..... 1500Vac winding to winding  
 4000Vac winding to housing  
 Surge current (10ms) ..... 20 x I<sub>nom</sub>  
 Power operating frequency ..... 0 to 1kHz at 40°C  
 Inductance tolerance ..... +50%, -30%  
 Resistance tolerance ..... ±15%  
 Operating temperature range ..... -40°C to +125°C  
 Climatic class (to IEC68) ..... 40/125/56

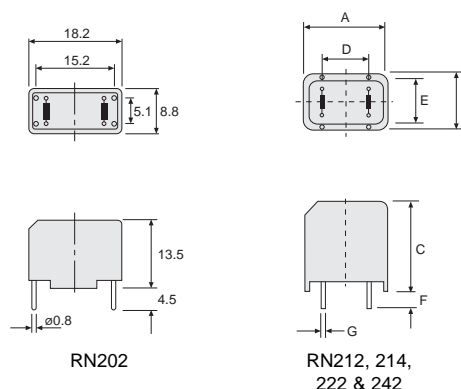
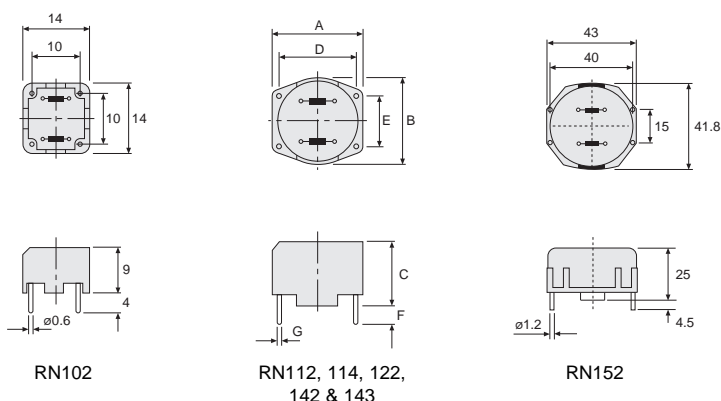
**Schematic**



**Dimensions (mm)**

**HORIZONTAL PACKAGE (RN1 series)**

**VERTICAL PACKAGE (RN2 series)**



	RN112	RN114	RN122	RN142	RN143
A	17.7	22.5	28	33.1	
B	17.1	21.5	27	32.5	
C	12.6	13.2	16.5	19.7	
D	15	20.1	25	30	
E	10	12.5	15	20	
F	4			4.3	
G	ø0.8				

	RN212	RN214	RN222	RN242
A	18	23	31	
B	12.5	15.5	18	
C	20	25	29.3	34.3
D	15	10	12.5	
E	10	12.5	15	
F	4			4.2
G	ø0.8			

**SCHAFFNER type RN**

**RN1 series - horizontal package**

Nom. Current (Aac) @ 40°C	Inductance (mH/path)	DC Resistance (mΩ/path)	Manf. Part No. & Anglia Order Code
<b>RN102</b>			
0.3	12	1275	<i>RN102-0.3/02</i>
0.6	4.4	385	<i>RN102-0.6/02</i>
1	3	205	<i>RN102-1/02</i>
1.5	1.6	100	<i>RN102-1.5/02</i>
2	1.1	70	<i>RN102-2/02</i>
<b>RN112</b>			
0.4	39	1460	<i>RN112-0.4/02</i>
0.5	27	1250	<i>RN112-0.5/02</i>
0.6	15	465	<i>RN112-0.6/02</i>
0.8	10	370	<i>RN112-0.8/02</i>
1.2	6.8	245	<i>RN112-1.2/02</i>
1.5	3.3	135	<i>RN112-1.5/02</i>
2	1.8	75	<i>RN112-2/02</i>
4	0.7	27	<i>RN112-4/02</i>
<b>RN114</b>			
0.3	47	1750	<i>RN114-0.3/02</i>
0.5	39	810	<i>RN114-0.5/02</i>
0.8	27	500	<i>RN114-0.8/02</i>
1	15	375	<i>RN114-1/02</i>
1.2	10	200	<i>RN114-1.2/02</i>
1.5	6.8	130	<i>RN114-1.5/02</i>
2	4.2	102	<i>RN114-2/02</i>
2.5	3.3	72	<i>RN114-2.5/02</i>
3	2	55	<i>RN114-3/02</i>
4	1.5	35	<i>RN114-4/02</i>
<b>RN122</b>			
0.6	47	1180	<i>RN122-0.6/02</i>
0.8	39	1000	<i>RN122-0.8/02</i>
1	18	610	<i>RN122-1/02</i>
1.5	10	220	<i>RN122-1.5/02</i>
2	6.8	147	<i>RN122-2/02</i>
2.5	5.6	105	<i>RN122-2.5/02</i>
3	4.5	80	<i>RN122-3/02</i>
4	3.3	45	<i>RN122-4/02</i>
<b>RN142</b>			
0.5	82	2700	<i>RN142-0.5/02</i>
1	33	810	<i>RN142-1/02</i>
1.4	27	500	<i>RN142-1.4/02</i>
2	6.8	190	<i>RN142-2/02</i>
4	3.3	66	<i>RN142-4/02</i>
6	1.8	20	<i>RN142-6/02</i>
<b>RN143</b>			
0.5	100	2900	<i>RN143-0.5/02</i>
1	47	880	<i>RN143-1/02</i>
2	10	230	<i>RN143-2/02</i>
4	3.9	58	<i>RN143-4/02</i>
6	1.8	20	<i>RN143-6/02</i>
<b>RN152</b>			
1	68	1300	<i>RN152-1/02</i>
2	18	350	<i>RN152-2/02</i>
4	6.8	87	<i>RN152-4/02</i>
6	3.9	41	<i>RN152-6/02</i>
8	2.7	22	<i>RN152-8/02</i>
10	1.8	14	<i>RN152-10/02</i>

**RN2 series - vertical package**

Nom. Current (Aac) @ 40°C	Inductance (mH/path)	DC Resistance (mΩ/path)	Manf. Part No. & Anglia Order Code
<b>RN202</b>			
0.3	12	1275	<i>RN202-0.3/02</i>
0.6	4.4	385	<i>RN202-0.6/02</i>
1	3	205	<i>RN202-1/02</i>
1.5	1.6	100	<i>RN202-1.5/02</i>
2	1.1	70	<i>RN202-2/02</i>
<b>RN212</b>			
0.4	39	1460	<i>RN212-0.4/02</i>
0.5	27	1250	<i>RN212-0.5/02</i>
0.6	15	465	<i>RN212-0.6/02</i>
0.8	10	370	<i>RN212-0.8/02</i>
1.2	6.8	245	<i>RN212-1.2/02</i>
1.5	3.3	135	<i>RN212-1.5/02</i>
2	1.8	75	<i>RN212-2/02</i>
4	0.7	27	<i>RN212-4/02</i>
<b>RN214</b>			
0.3	47	1750	<i>RN214-0.3/02</i>
0.5	39	810	<i>RN214-0.5/02</i>
0.8	27	500	<i>RN214-0.8/02</i>
1	15	375	<i>RN214-1/02</i>
1.2	10	200	<i>RN214-1.2/02</i>
1.5	6.8	130	<i>RN214-1.5/02</i>
2	4.2	102	<i>RN214-2/02</i>
2.5	3.3	72	<i>RN214-2.5/02</i>
3	2	55	<i>RN214-3/02</i>
4	1.5	35	<i>RN214-4/02</i>
<b>RN222</b>			
0.6	47	1180	<i>RN222-0.6/02</i>
0.8	39	1000	<i>RN222-0.8/02</i>
1	18	610	<i>RN222-1/02</i>
1.5	10	220	<i>RN222-1.5/02</i>
2	6.8	147	<i>RN222-2/02</i>
2.5	5.6	105	<i>RN222-2.5/02</i>
3	4.5	80	<i>RN222-3/02</i>
4	3.3	45	<i>RN222-4/02</i>
<b>RN242</b>			
0.5	82	2700	<i>RN242-0.5/02</i>
1	33	810	<i>RN242-1/02</i>
1.4	27	500	<i>RN242-1.4/02</i>
2	6.8	190	<i>RN242-2/02</i>
4	3.3	66	<i>RN242-4/02</i>
6	1.8	20	<i>RN242-6/02</i>

**SCHAFFNER**

For the very latest information and news on the full range of SCHAFFNER products available from Anglia, visit our website :

[www.angliac.com/schaffner](http://www.angliac.com/schaffner)

Alternatively, contact our Sales Desk to discuss your specific requirements.