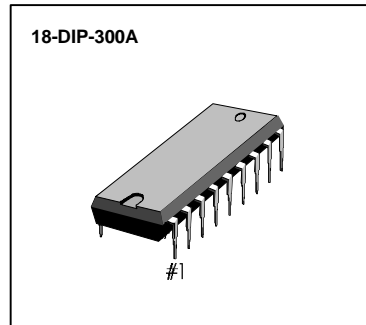


**INTRODUCTION**

The KS58006 is DTMF/PULSE switchable dialer with a 32-digit redial which can be done using a slide switch. All necessary dual-tone frequencies are derived from a 3.579545 MHz TV crystal or ceramic resonator providing very high accuracy and stability. The required sinusoidal wave form for each individual tone is digitally synthesized on the chip. The generated wave form has very low total harmonic distortion (7% max). A voltage reference is generated on the chip which is stable over the operating voltage and temperature range and regulates the single levels of the dual tone to meet telephone industry specifications. CMOS technology is applied to this device, for very low power requirements high noise immunity, and easy interface to a variety of telephones requiring external components.



**FEATURES**

- Tone/Pulse switchable (slide switch)
- 32-digit capacity for redial
- Automatic mix redialing ( last number dial ) of PULSE → DTMF with multiple auto access pause
- PABX auto-pause for 3.5 sec.
- 4 X 4 or ( 2 of 8 ) keyboard available
- Two key single tone operation
- Operating Voltage : 2.0 ~ 5.5V
- Numbers dialed manually after redial are cascadable and stored as additional numbers for next redialing
- Uses inexpensive TV crystal or ceramic resonator (3.579545MHz)
- Make/Break ratio (33.3 / 66.6) pin selectable
- Touch key hooking (604ms)
- Low standby current
- Improved EMI characteristic
- Improved redial memory quality

**ORDERING INFORMATION**

| Device   | Package     | Operating Temperature |
|----------|-------------|-----------------------|
| KS58006N | 18-DIP-300A | - 20°C ~ + 70°C       |

**PIN CONFIGURATION**

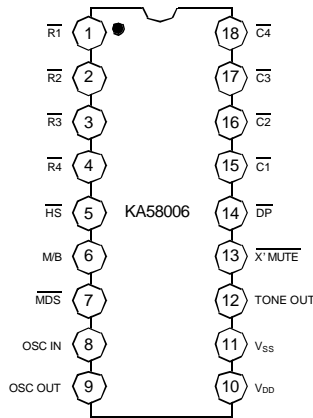


Fig. 1

BLOCK DIAGRAM

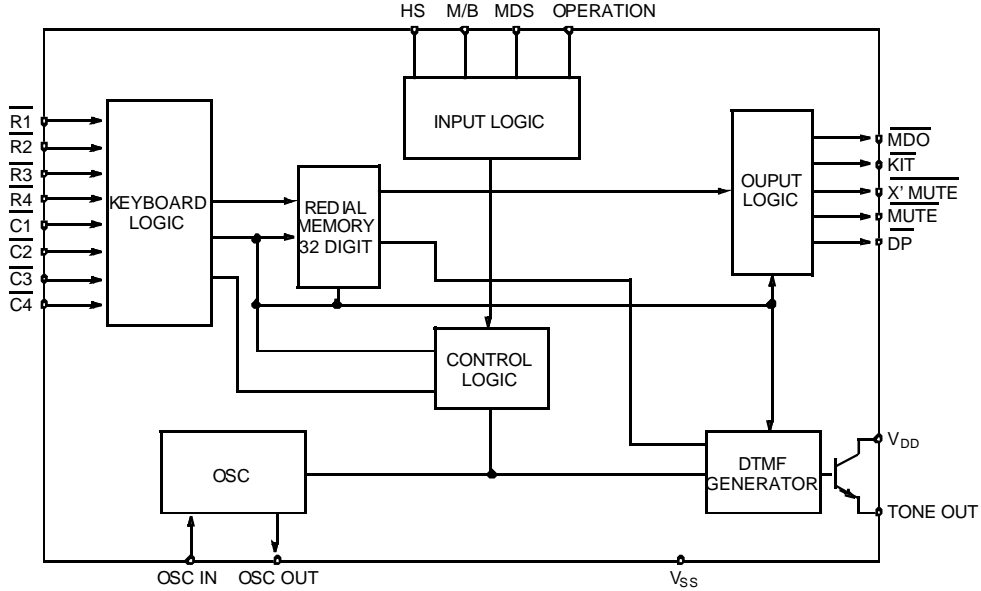
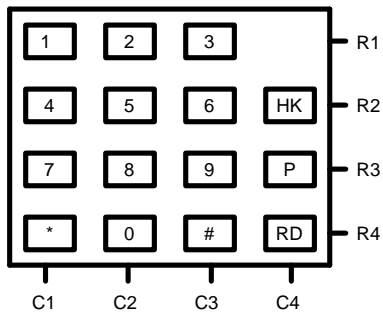


Fig. 2

ARRANGEMENT OF KEYBOARD



TONE FREQUENCIES

| Input | Specified | Actual | % Error |
|-------|-----------|--------|---------|
| R1    | 697       | 699.1  | + 0.31  |
| R2    | 770       | 766.2  | - 0.49  |
| R3    | 852       | 847.4  | - 0.54  |
| R4    | 941       | 948.0  | + 0.74  |
| C1    | 1209      | 1215.7 | + 0.57  |
| C2    | 1336      | 1331.7 | - 0.32  |
| C3    | 1477      | 1471.9 | - 0.35  |

\* KEYBOARD DESCRIPTION

- HK : HOOKING (604ms)
- P : PAUSE (3.5 second)
- RD : REDIAL



## PIN DESCRIPTION

| Pin No           | Symbol   | Description  |                  |                            |                      |          |          |  |          |      |     |
|------------------|--|--|------------------|----------------------------|----------------------|----------|----------|--|----------|------|-----|
| 1 - 4<br>15 - 18 | $\overline{R1} - \overline{R4}$<br>$\overline{C1} - \overline{C4}$ | Keyboard ( $\overline{R1}$ , $\overline{R2}$ , $\overline{R3}$ , $\overline{R4}$ , $\overline{C1}$ , $\overline{C2}$ , $\overline{C3}$ , $\overline{C4}$ )<br>These inputs can be interfaced to an XY matrix keyboard.<br>$\overline{C1}$ - $\overline{C4}$ & $\overline{R1}$ - $\overline{R4}$ are set to low at On Hook ( $\overline{HS} = \text{high}$ ). $\overline{C1}$ - $\overline{C4}$ key inputs are set to low and $\overline{R1}$ - $\overline{R4}$ are set to high at OFF HOOK ( $\overline{HS} = \text{low}$ ) which enables the key-input operation. The oscillator starts running when a keypress is detected. Scanning signals are presented at both column and row inputs (TYP : 437Hz) until the input key is released. Key inputs are compatible with standard 2-of-8 form or single-contact keyboard. Debouncing is provided to avoid false entry (TYP : 4mS). |                  |                            |                      |          |          |  |          |      |     |
| 5                | $\overline{HS}$  | Hook Switch<br>This input detects the state of the hook switch contact. "Off Hook" corresponds to $V_{SS}$ condition. "On Hook" corresponds to $V_{DD}$ condition.   |                  |                            |                      |          |          |  |          |      |     |
| 6                | M/B  | Make/Break Ratio<br>This input provides the selection of the Make/Break ratio (33.3: 66.6/40:60) when M/B is connected to $V_{DD}/V_{SS}$ .  |                  |                            |                      |          |          |  |          |      |     |
| 7                | $\overline{MDS}$   | Mode Select Input<br>Pulse/DTMF mode is selected as shown in the following table.<br>Initial Mode means the state after going Off Hook ( $\overline{HS} \rightarrow "V_{SS}"$ ) <table border="1" style="margin-left: auto; margin-right: auto;"> <thead> <tr> <th><math>\overline{MDS}</math></th> <th>INITIAL MODE</th> <th>SWITCHING ENTRY MODE</th> </tr> </thead> <tbody> <tr> <td><math>V_{DD}</math></td> <td>Pulse</td> <td><math>\overline{MDS}</math><br/>Input = <math>V_{SS}</math></td> </tr> <tr> <td><math>V_{SS}</math></td> <td>Tone</td> <td>N/A</td> </tr> </tbody> </table>  | $\overline{MDS}$ | INITIAL MODE               | SWITCHING ENTRY MODE | $V_{DD}$ | Pulse    | $\overline{MDS}$<br>Input = $V_{SS}$                 | $V_{SS}$ | Tone | N/A |
| $\overline{MDS}$ | INITIAL MODE   | SWITCHING ENTRY MODE   |                  |                            |                      |          |          |  |          |      |     |
| $V_{DD}$         | Pulse  | $\overline{MDS}$<br>Input = $V_{SS}$   |                  |                            |                      |          |          |  |          |      |     |
| $V_{SS}$         | Tone   | N/A  |                  |                            |                      |          |          |  |          |      |     |
| 8 - 9            | OSC IN<br>OSC OUT  | Oscillator Input/Output<br>These pins are provided to connect an external 3.58MHz crystal. Oscillator starts (at Off Hook) and is sustained until pulse or DTMF signals are finished.  |                  |                            |                      |          |          |  |          |      |     |
| 10 - 11          | $V_{DD}$ , $V_{SS}$  | Power<br>These are the power supply inputs. The device is designed to be operated on 2.0V to 5.5V  |                  |                            |                      |          |          |  |          |      |     |
| 12               | TONE OUT   | DTMF Signal Output<br>When a valid keypress is detected in DTMF mode, appropriate low and high group frequencies are generated which hybrid the Dual Tone Output.<br>Tone out is Off State in pulse mode.  |                  |                            |                      |          |          |  |          |      |     |
| 13               | $\overline{X'MUTE}$  | $\overline{X'MUTE}$ Output <table border="1" style="margin-left: auto; margin-right: auto;"> <tbody> <tr> <td><math>\overline{HS}</math></td> <td><math>\overline{X'MUTE}</math> Output</td> </tr> <tr> <td><math>V_{DD}</math></td> <td>"ON"</td> </tr> <tr> <td><math>V_{SS}</math></td> <td>Normally "OFF"<br/>"ON" during pulse and DTMF dialing</td> </tr> </tbody> </table> (N channel open drain)   | $\overline{HS}$  | $\overline{X'MUTE}$ Output | $V_{DD}$             | "ON"     | $V_{SS}$ | Normally "OFF"<br>"ON" during pulse and DTMF dialing |          |      |     |
| $\overline{HS}$  | $\overline{X'MUTE}$ Output   |  |                  |                            |                      |          |          |  |          |      |     |
| $V_{DD}$         | "ON"   |  |                  |                            |                      |          |          |  |          |      |     |
| $V_{SS}$         | Normally "OFF"<br>"ON" during pulse and DTMF dialing               |  |                  |                            |                      |          |          |  |          |      |     |
| 14               | $\overline{DP}$  | Dial Pulse Out<br>$\overline{DP}$ : The normal output will be "ON" during break and "OFF" during make at "OFF HOOK". The output will be "OFF" at "ON HOOK".  |                  |                            |                      |          |          |  |          |      |     |

## ABSOLUTE MAXIMUM RATINGS

| Characteristic        | Symbol        | Value   | Unit |
|-----------------------|---------------|---|------|
| Supply Voltage        | $V_{DD}$      | 6.0   | V    |
| Input Voltage         | $V_I$         | $V_{SS} - 0.3, V_{DD} + 0.3$                                      | V    |
| Output Voltage        | $V_O$         | $V_{SS} - 0.3, V_{DD} + 0.3$                                      | V    |
| Output Voltage        | $V_{O(DXM)}$  | $\leq V_{DD} (\overline{DP}, \overline{X'MUTE}, \overline{MUTE})$ | V    |
| Tone Output Current   | $I_{O(TONE)}$ | 50  | mA   |
| Power Dissipation     | $P_D$         | 500   | mW   |
| Operating Temperature | $T_{OPR}$     | - 20 ~ + 70   | °C   |
| Storage Temperature   | $T_{STG}$     | - 40 ~ + 125  | °C   |

## ELECTRICAL CHARACTERISTICS

(V<sub>SS</sub> = 0V, V<sub>DD</sub> = 3.5V, f<sub>X<sub>TAL</sub></sub> = 3.579545MHz, T<sub>a</sub> = 25°C, unless otherwise noted)

| Characteristic                    | Symbol          | Test Conditions                 |  | Min             | Typ  | Max         | Unit |
|-----------------------------------|-----------------|---------------------------------|--|-----------------|------|-------------|------|
| Operating Voltage Range           | $V_{DD}$        |                                 |  | 2.0             |      | 5.5         | V    |
| Memory Retention Voltage          | $V_{MR}$        |                                 |  | 1.0             |      |             | V    |
| Memory Retention Current          | $I_{MR}$        | $\overline{HS} = V_{DD} = 1.0V$ |  |                 | 0.05 | 0.1         | μA   |
| Operating Current                 | $I_{DD(PULSE)}$ | $\overline{MDS} = V_{DD}$       | One key selected<br>$\overline{HS} = V_{SS}$ , All outputs<br>Unloaded |                 | 0.1  | 0.3         | mA   |
|                                   | $I_{DD(TONE)}$  | $\overline{MDS} = V_{SS}$       |  |                 | 0.4  | 0.7         |      |
| Standby Current                   | $I_{SB}$        | $\overline{HS} = V_{SS}$        | No key selected.<br>All outputs<br>unloaded                            |                 | 10   | 50          | μA   |
| Output Current                    | $I_{OL1}$       | $\overline{DP},$                | $V_{OL} = 0.4V$  | $V_{DD} = 3.5V$ | 1.7  | 5.0         | mA   |
|                                   | $I_{OL2}$       | $\overline{X'MUTE}$             |  | $V_{DD} = 2.5V$ | 0.5  | 1.5         |      |
| Input Voltage                     | $V_{IH}$        | R1-R4, C1-C3, HS, M/B           |  | $0.8V_{DD}$     |      | $V_{DD}$    | V    |
|                                   | $V_{IL}$        | MDS                             |  | $V_{SS}$        |      | $0.2V_{DD}$ |      |
| Input Current                     | $I_{L1}$        | $V_{DD} = 3.5V, V_{IN} = 0V$    | R1-R4  |                 |      | 50          | μA   |
|                                   | $I_{L2}$        | $V_{DD} = 2.5V, V_{IN} = 0V$    |  |                 |      | 30          |      |
| Valid Key Entry Time              | $t_{KD}$        |                                 |  |                 | 23   |             | mS   |
| Key Release Time                  | $t_{KR}$        |                                 |  |                 | 5    |             | mS   |
| Tone Duration                     | $t_{TD}$        |                                 |  |                 | 110  |             | mS   |
| Tone Interdigit Pause Time        | $t_{TIDP}$      |                                 |  |                 | 110  |             | mS   |
| Column and Row Scanning Frequency | $f_{CR}$        |                                 |  |                 | 437  |             | Hz   |
| Auto Access Pause Time            | $t_{AP}$        |                                 |  |                 | 3.5  |             | sec  |
| Tone Output                       | $V_{O(TONE)}$   | ROW TONE<br>ONLY                | $V_{DD} = 2.5V, R_L = 5K\Omega$  | -14.0           |      | -12.0       | dBV  |
|                                   |                 |                                 | $V_{DD} = 3.5V, R_L = 5K\Omega$  | -14.0           |      | -12.0       |      |
| Ratio of Column to Row Tone       | $dB_{CR}$       | $V_{DD} = 3.5V$                 |  | 1.0             | 2.0  | 3.0         | dB   |
| Distortion                        | THD             | $V_{DD} = 3.5V$                 |  |                 |      | 7           | %    |
| Tone Output Delay Time            | $t_{D(TONE)}$   |                                 |  |                 | 1.5  |             | mS   |

## APPLICATION INFORMATION

## KEYBOARD OPERATION

## 1. SINGLE MODE OPERATION

## Pulse Mode Operation



The pulse mode is defined by the initial mode after going off Hook and latched at **D1** key entry. This is the condition under  $MDS = V_{DD}$ .

## Tone Mode Operation



The tone mode is defined by the initial mode after going off Hook and latched at **D1** key entry. This is the condition under  $MDS = V_{SS}$ .

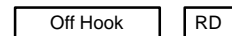
## Manual Dialing with Automatic Access Pause



Multiple Pause key entries can be accepted and stored in the redial memory, each as a digit. Each **P** key provides 3.5 seconds pause time, but the P key entry as the first digit after going Off Hook is ignored. The **\*** key can also be used as a pause key in the pulse mode. Pause (2) can be cancelled with the **P** or **RD** key during pause time in redialing.

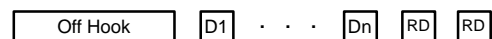
**D** = Any numeric key.

## Redialing



Up to 32 digits can be dialed with the **RD** key. The **RD** key is disabled while pulse or DTMF signals are transmitted. When more than 32 digits are stored, redial is also inhibited. The **#** key can be used as the **RD** key in the pulse mode.

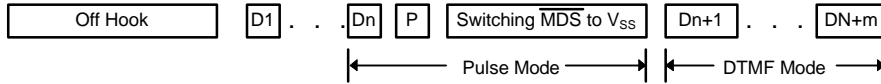
## Inhibiting Redial



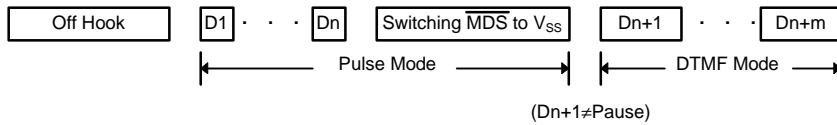
Redial can be inhibited by depressing the **RD** key twice after DTMF or pulse signals are transmitted.

2. PULSE/TONE SWITCHABLE OPERATION

Mode Switching by  $\overline{\text{MDS}}$  Input



The pulse mode is initially defined  $\overline{\text{MDS}} = V_{DD}$ , mode switching to the DTMF mode can be accepted by  $\overline{\text{MDS}} = V_{SS}$ , the DTMF mode will be set up after the pulse mode is finished. In this mode, digits  $Dn + 1 \dots Dn + m$  are transmitted from Tone Out as DTMF signals by depressing the corresponding keys. If no P key is contained serially before or after mode switching, the following condition is obtained.



If digit  $D_{n+1}$  is depressed after the pulse mode is finished, the DTMF mode will be set up after last the pulse signal ( $D_n$ ) is generated. In this mode, digits  $D_{n+1} \dots D_{n+m}$  are transmitted from Tone Out as DTMF signals by depressing the corresponding keys. If digit  $D_{n+1}$  is depressed during dialing pulse signals. What happens? When the DTMF mode is set, the Hold State will be set after last pulse signal  $D_n$  is finished.  $\overline{\text{MDO}}$  will flash to indicate this Hold State,  $D_{n+1} \dots D_{n+m}$  are stored in redial memory as DTMF DATA and not transmitted from Tone Out. When it is ready to transmit DTMF data in redial memory, the  $\overline{\text{RD}}$  or  $\overline{\text{P}}$  key is depressed to reset this Hold State and  $D_{n+1} \dots D_{n+m}$  data are serially transmitted.

**TONE MODE TIMING** ( $\overline{\text{MDS}} = V_{SS}$ )

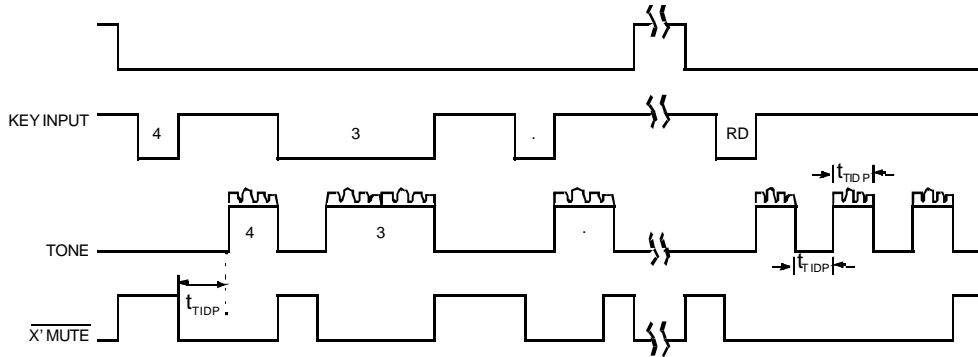


Fig. 3

**PULSE MODE TIMING** ( $\overline{\text{MDS}} = V_{DD}$ )

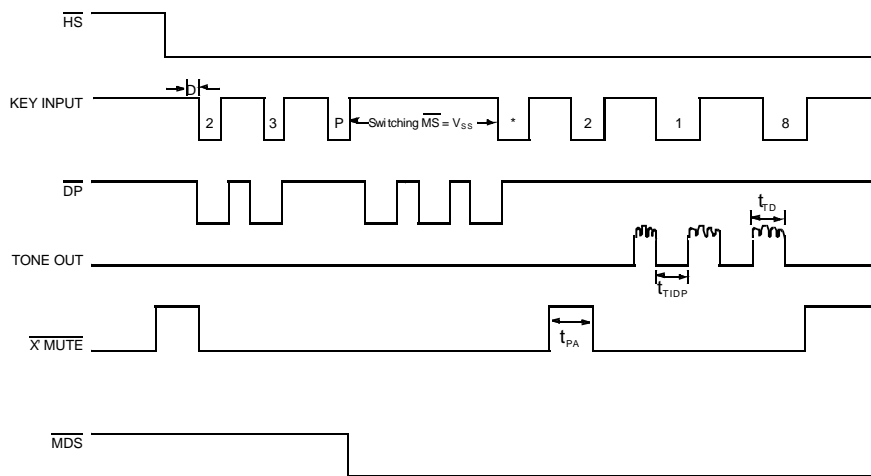


Fig. 4

**TIMING DIAGRAM** (for Switching Mode Operation by  $\overline{\text{MDS}}$  Input)

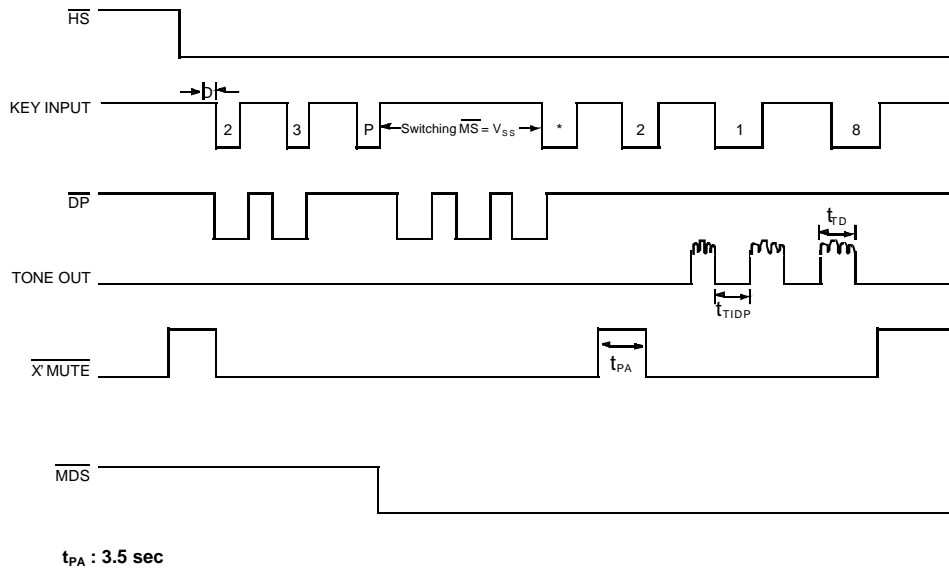


Fig. 5