

# DATA SHEET

**TDA1576**

**FM/IF amplifier/demodulator circuit**

Product specification  
Supersedes data of March 1985  
File under Integrated Circuits, IC01

1998 Nov 18

## FM/IF amplifier/demodulator circuit

## TDA1576

## FEATURES

- Symmetrical limiting IF amplifier
- Symmetrical quadrature demodulator
- Internal muting circuit
- Symmetrical AFC output
- Field strength indication output
- Detune detector
- Reference voltage output
- Electronic smoothing of the supply voltage
- Standby on/off switching circuit.

## GENERAL DESCRIPTION

The TDA1576 is a monolithic integrated FM/IF amplifier circuit for use in mono and stereo FM-receivers of car radios or home sets.

## QUICK REFERENCE DATA

$f_o = 10.7$  MHz;  $\Delta f = \pm 22.5$  kHz;  $f_m = 400$  Hz;  $Q_L = 20$ ; 50  $\mu$ s de-emphasis.

SYMBOL	PARAMETER	CONDITIONS	MIN.	TYP.	MAX.	UNIT
$V_P$	supply voltage (pin 1)		7.5	–	20	V
$I_P$	supply current	$V_P = 8.5$ V	–	16	–	mA
		$V_P = 15$ V	–	18	–	mA
$V_{iIF(rms)}$	input sensitivity (RMS value)	–3 dB before limiting	–	22	–	$\mu$ V
		$\frac{S+N}{N} = 26$ dB	–	8	–	$\mu$ V
		$\frac{S+N}{N} = 46$ dB	–	35	–	$\mu$ V
$V_{oAF(rms)}$	AF output voltage (RMS value)	$V_P = 8.5$ V	–	67	–	mV
		$V_P = 15$ V	–	135	–	mV
THD	total harmonic distortion					
	single tuned circuit		–	0.1	–	%
	two tuned circuits		–	0.02	–	%
$\frac{S+N}{N}$	signal plus noise-to-noise ratio	$V_{iIF} > 1$ mV (RMS); $V_P = 8.5$ V	–	76	–	dB
		$V_{iIF} > 1$ mV (RMS); $V_P = 15$ V	–	80	–	dB
$\alpha_{AM}$	AM suppression		–	50	–	dB
$\Delta f_i$	AFC offset drift		–	$\pm 3$	$\pm 6$	kHz
$\Delta V_i$	field strength indication		–	90	–	dB
$I_L$	permissible indicator load current		–	–	2	mA
$T_{amb}$	operating ambient temperature		–30	–	+80	$^{\circ}$ C

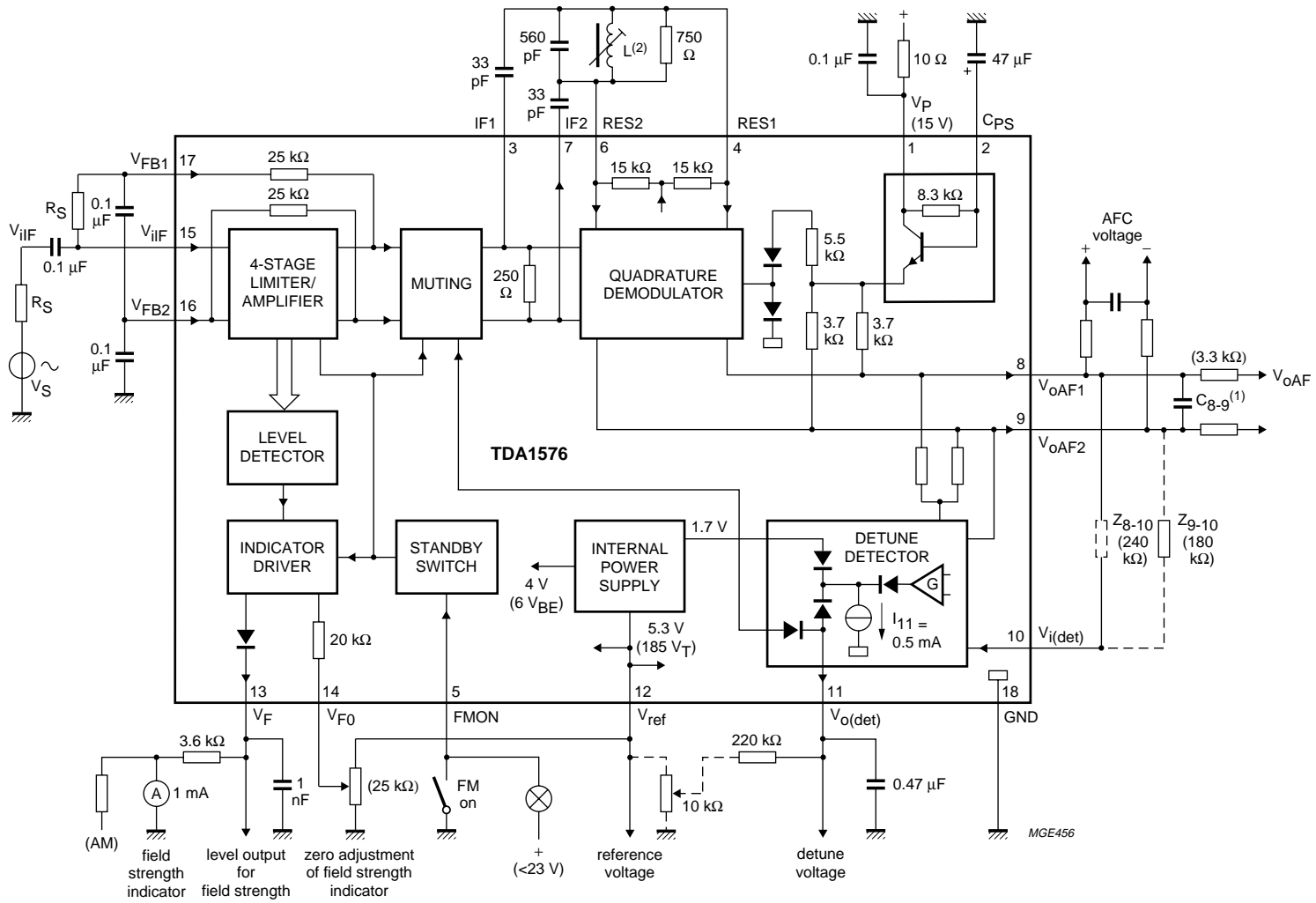
## ORDERING INFORMATION

TYPE NUMBER	PACKAGE		
	NAME	DESCRIPTION	VERSION
TDA1576	DIP18	plastic dual in-line package; 18 leads (300 mil)	SOT102-1

FM/IF amplifier/demodulator circuit

TDA1576

BLOCK DIAGRAM



(1) For 50  $\mu s$  de-emphasis:  $C_{8-9} = 6.8 \text{ nF}$ ; for stereo operation  $C_{8-9} = 56 \text{ pF}$ .

(2)  $L = 0.38 \mu H$ ;  $Q_0 = 70$ ;  $Q_L = 20$ ; adjusted to minimum 2<sup>nd</sup> harmonic distortion ( $d_2$ ); at  $V_i = 1 \text{ mV}$ ; coil: 6 turns CuL (0.25 mm) on coil former KAN (C).

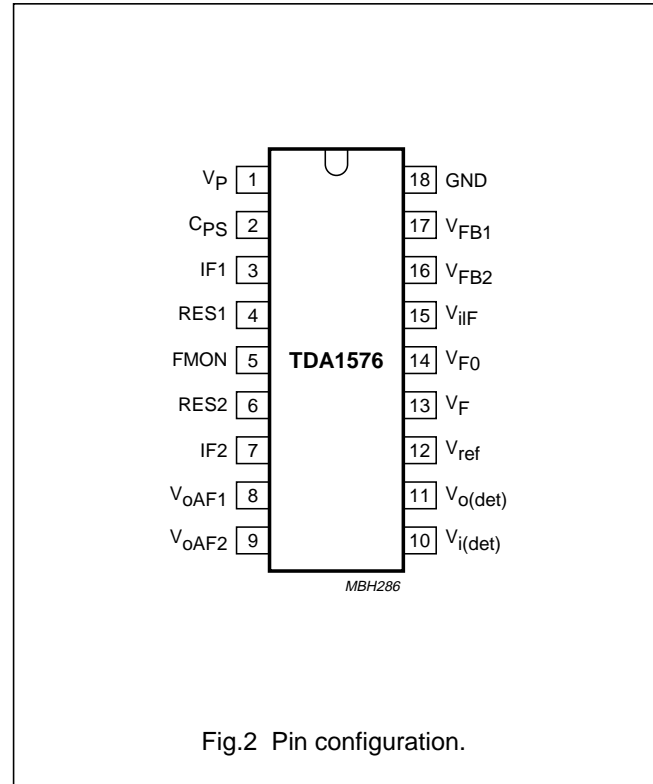
Fig.1 Block diagram and test circuit.

## FM/IF amplifier/demodulator circuit

## TDA1576

## PINNING

SYMBOL	PIN	DESCRIPTION
$V_P$	1	positive supply voltage
$C_{PS}$	2	smoothing capacitor of power supply
IF1	3	IF signal to resonant circuit
RES1	4	resonant circuit input 1
FMON	5	FM-ON, standby switch
RES2	6	resonant circuit input 2
IF2	7	IF signal to resonant circuit
$V_{oAF1}$	8	AF output voltage 1 ( $0^\circ$ phase)
$V_{oAF2}$	9	AF output voltage 2 ( $180^\circ$ phase)
$V_{i(det)}$	10	detune detector input voltage for external audio reference
$V_{o(det)}$	11	detune detector output voltage
$V_{ref}$	12	reference voltage output
$V_F$	13	level output for field strength
$V_{F0}$	14	zero adjust voltage for field strength
$V_{iIF}$	15	FM/IF input signal voltage
$V_{FB2}$	16	DC feedback 2
$V_{FB1}$	17	DC feedback 1
GND	18	ground (0 V)



## FM/IF amplifier/demodulator circuit

TDA1576

**LIMITING VALUES**

In accordance with the Absolute Maximum Rating System (IEC 134).

SYMBOL	PARAMETER	MIN.	MAX.	UNIT
$V_P$	supply voltage (pin 1)	0	23	V
$V_2$	voltage on pin 2	0	$V_P$	V
$V_{5, 14}$	voltage on pins 5 and 14	0	23	V
$V_{12}$	voltage on pin 12	0	7	V
$V_{13}$	voltage on pin 13	0	6	V
$P_{tot}$	total power dissipation	0	800	mW
$T_{stg}$	storage temperature	-55	+150	°C
$T_{amb}$	operating ambient temperature	-30	+80	°C

**THERMAL CHARACTERISTICS**

SYMBOL	PARAMETER	VALUE	UNIT
$R_{th\ j-a}$	thermal resistance from junction to ambient in free air	80	K/W

## FM/IF amplifier/demodulator circuit

TDA1576

**CHARACTERISTICS**

$V_P = 7.5$  to  $20$  V;  $f_{IF} = 10.7$  MHz;  $R_S = 60$   $\Omega$ ;  $f_m = 400$  Hz with  $\Delta f = \pm 22.5$  kHz;  $50$   $\mu$ s de-emphasis ( $C_{8-9} = 6.8$  nF);  $T_{amb} = 25$  °C and measurements taken in Fig.1; unless otherwise specified. The demodulator circuit is adjusted at minimum second harmonic distortion for  $V_{iIF} = 1$  mV and a deviation  $\Delta f = \pm 75$  kHz.

SYMBOL	PARAMETER	CONDITIONS	MIN.	TYP.	MAX.	UNIT
<b>Supply</b>						
$I_P$	supply current without load	$I_{12} = I_{13} = 0$ ; $V_P = 8.5$ V	10	16	23	mA
		$I_{12} = I_{13} = 0$ ; $V_P = 15$ V	12	18	25	mA
<b>IF amplifier/detector</b>						
$V_{iIF(rms)}$	input sensitivity (RMS value; pin 15)	-3 dB before limiting	-	22	30	$\mu$ V
		$\frac{S+N}{N} = 26$ dB	-	8	-	$\mu$ V
		$\frac{S+N}{N} = 46$ dB	-	35	-	$\mu$ V
$V_{oIF(p-p)}$	output voltage at pins 3 and 7 (peak-to-peak value)	$Z_{3,7} = 10$ pF parallel to $1$ M $\Omega$	-	680	-	mV
$R_{3-7}$	output resistance		-	250	-	$\Omega$
$Z_{4-6}$	input impedance		-	30	-	k $\Omega$
$C_{4-6}$	input capacitance		-	1	-	pF
$R_{8,9}$	output resistance		-	3.7	-	k $\Omega$
$V_{8,9}$	DC output voltage	$V_P = 8.5$ V	-	5.5	-	V
		$V_P = 15$ V	-	9.8	-	V
$V_{oAF(rms)}$	AF output voltage (RMS value)	$Q_L = 20$ ; $V_P = 8.5$ V	60	67	75	mV
		$Q_L = 20$ ; $V_P = 15$ V	120	135	150	mV
THD	total harmonic distortion single tuned circuit two tuned circuits	$Q_L = 20$	-	0.1	-	%
			-	0.02	-	%
$\frac{S+N}{N}$	signal plus noise-to-noise ratio (pins 8 and 9)	$B = 250$ Hz to $15$ kHz; $V_i > 1$ mV (RMS); $V_P = 8.5$ V	-	76	-	dB
		$B = 250$ Hz to $15$ kHz; $V_i > 1$ mV (RMS); $V_P = 15$ V	-	80	-	dB
$\alpha_{AM}$	AM suppression	$V_{iIF} = 10$ mV; FM: $70$ Hz; $\Delta f = \pm 22.5$ kHz; AM: $1$ kHz; $m = 30\%$ ; note 1	-	54	-	dB
$V_{iIF}$	IF input voltage	$\alpha > 40$ dB	0.5	-	500	mV
$\alpha_{100}$	hum suppression at $f = 100$ Hz	$V_P = 100$ mV (RMS); $C_2 = 47$ $\mu$ F	43	48	-	dB
$\frac{\Delta V_{8-9}}{\Delta f_0}$	AFC tuning slope at $Q_L = 20$	$V_P = 8.5$ V	-	8.5	-	mV/kHz
		$V_P = 15$ V	-	17	-	mV/kHz

## FM/IF amplifier/demodulator circuit

TDA1576

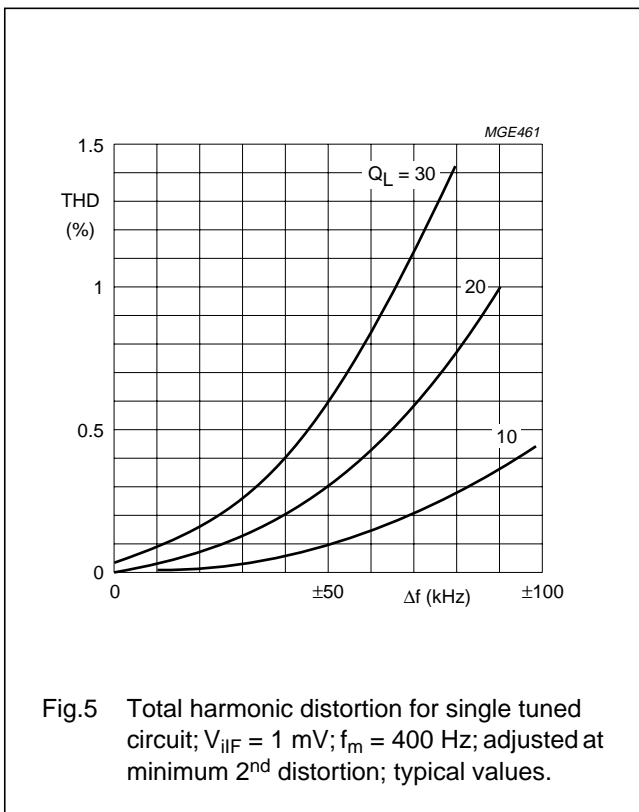
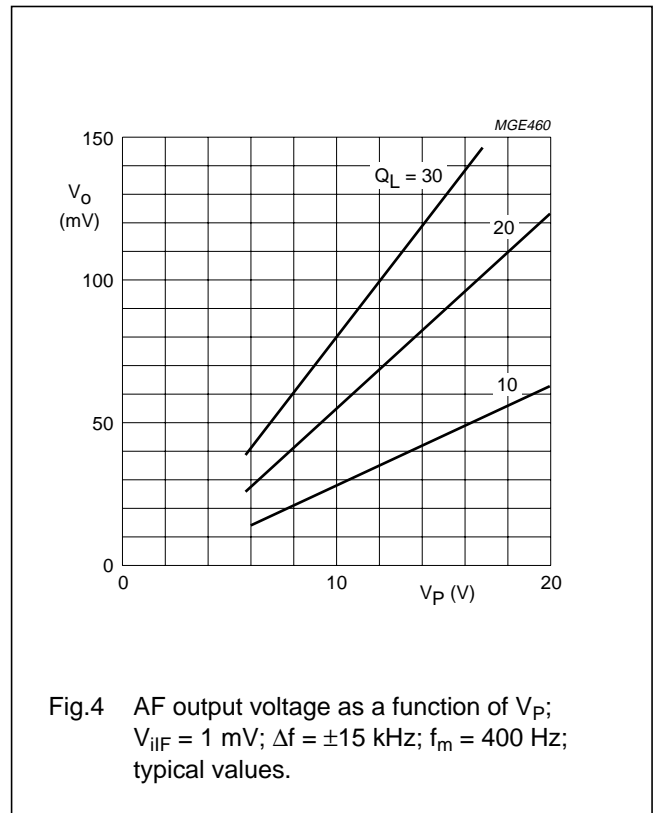
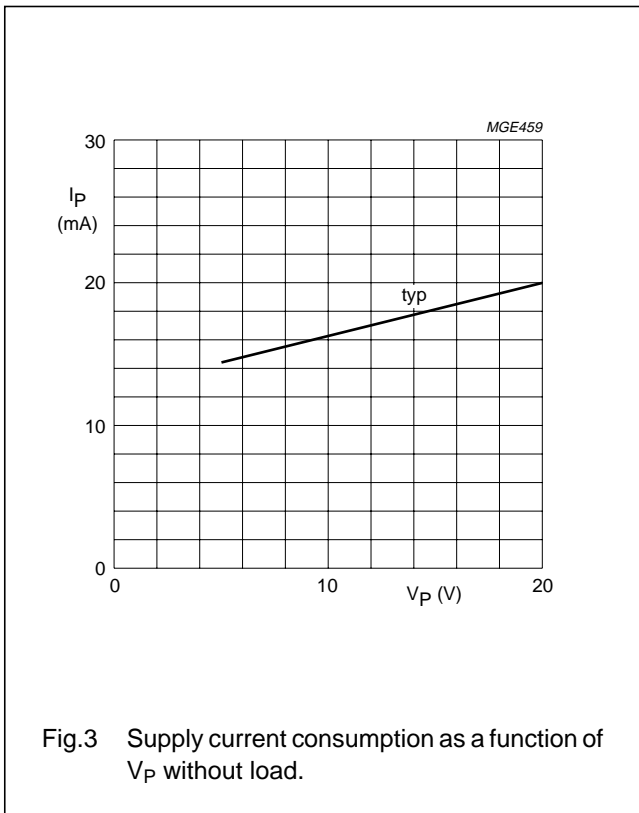
SYMBOL	PARAMETER	CONDITIONS	MIN.	TYP.	MAX.	UNIT
$\Delta V_{8-9}$	AFC offset voltages at $Q_L = 20$	$V_i = 1 \text{ mV}; V_P = 8.5 \text{ V}$	–	–	$\pm 100$	mV
		$V_i = 1 \text{ mV}; V_P = 15 \text{ V}$	–	–	$\pm 200$	mV
		$V_i = 30 \mu\text{V to } 500 \text{ mV}$ ( $V_{\text{ref}} = 1 \text{ mV}$ and muting); $V_P = 8.5 \text{ V}$	–	$\pm 25$	$\pm 50$	mV
		$V_i = 30 \mu\text{V to } 500 \text{ mV}$ ( $V_{\text{ref}} = 1 \text{ mV}$ and muting); $V_P = 15 \text{ V}$	–	$\pm 50$	$\pm 100$	mV
<b>Field strength output; see Fig.7</b>						
$V_i$	indicator sensitivity	$I_{14} = 0$	0.02	–	600	mV
$V_{13}$	output voltage	$R_{13} = 3.6 \text{ k}\Omega; I_{14} = 0$	–	0	200	mV
		$V_{\text{ilF}} = 0$ $V_{\text{ilF}} = 250 \text{ mV (RMS)}$	3.2	3.6	4.1	V
$I_{13}$	available output current		–2	–	–	mA
$V_{13}$	reverse voltage at output for FM off	$V_5 > 3.5 \text{ V}$	5	–	–	V
<b>Detuning detector</b>						
$I_{10}$	quiescent input current	$V_{10-9} = 0$	–	20	100	nA
$V_{11}$	output voltage		1.8	–	5.0	V
$I_{11}$	maximum output current		0.35	0.5	0.65	mA
$G_v$	voltage gain	$\Delta V_{11}/\Delta(\pm V_{10-9})$ at $I_{11} = 0.25 \text{ mA}; V_P = 15 \text{ V}$	–	3.3	–	
$V_{10-9}$	input offset voltage (pin 10)	$V_{11} = 2.5 \text{ V}$	–	20	–	mV
<b>Reference voltage</b>						
$V_{\text{ref}}$	reference voltage (pin 12)	$I_{12} = -1 \text{ mA}; V_P = 8.5 \text{ V}$	–	5.1	–	V
		$I_{12} = -1 \text{ mA}; V_P = 15 \text{ V}$	–	5.3	–	V
$I_{12}$	available output current		–	–2.5	–	mA
<b>Standby switch</b>						
$V_5$	input voltage for FM on		–	–	2	V
	input voltage for FM off		3.5	–	–	V
$I_5$	input current for FM on		–	–	–100	$\mu\text{A}$

**Note**

1. Simultaneously measured.

FM/IF amplifier/demodulator circuit

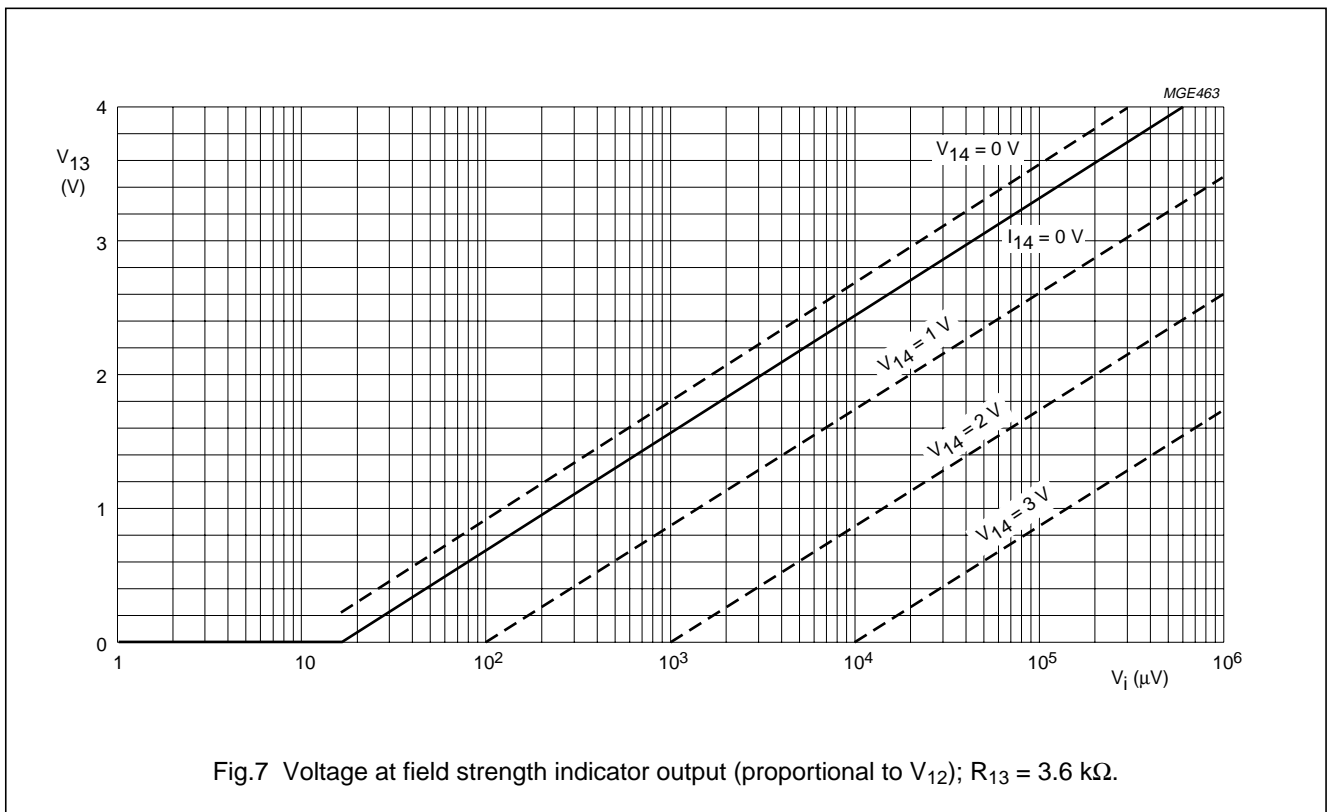
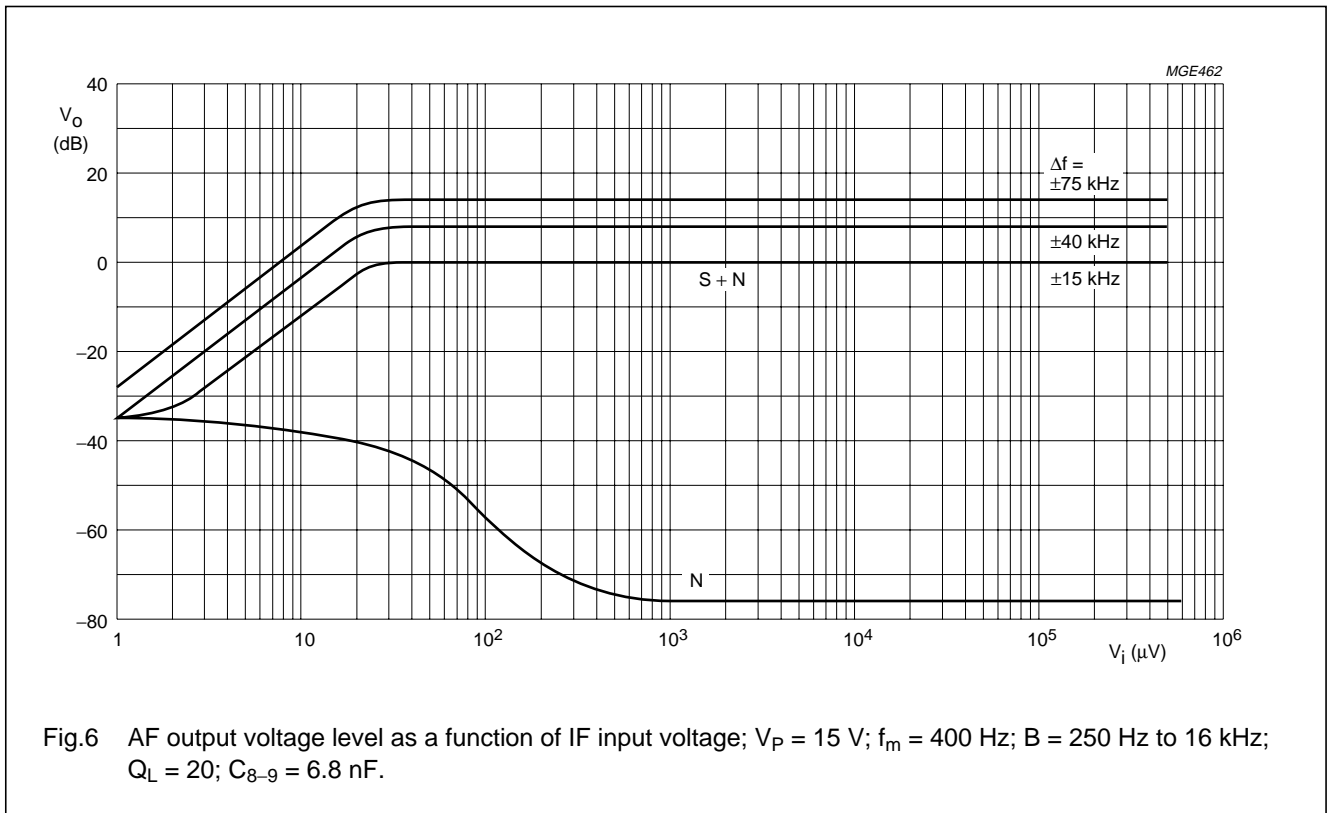
TDA1576





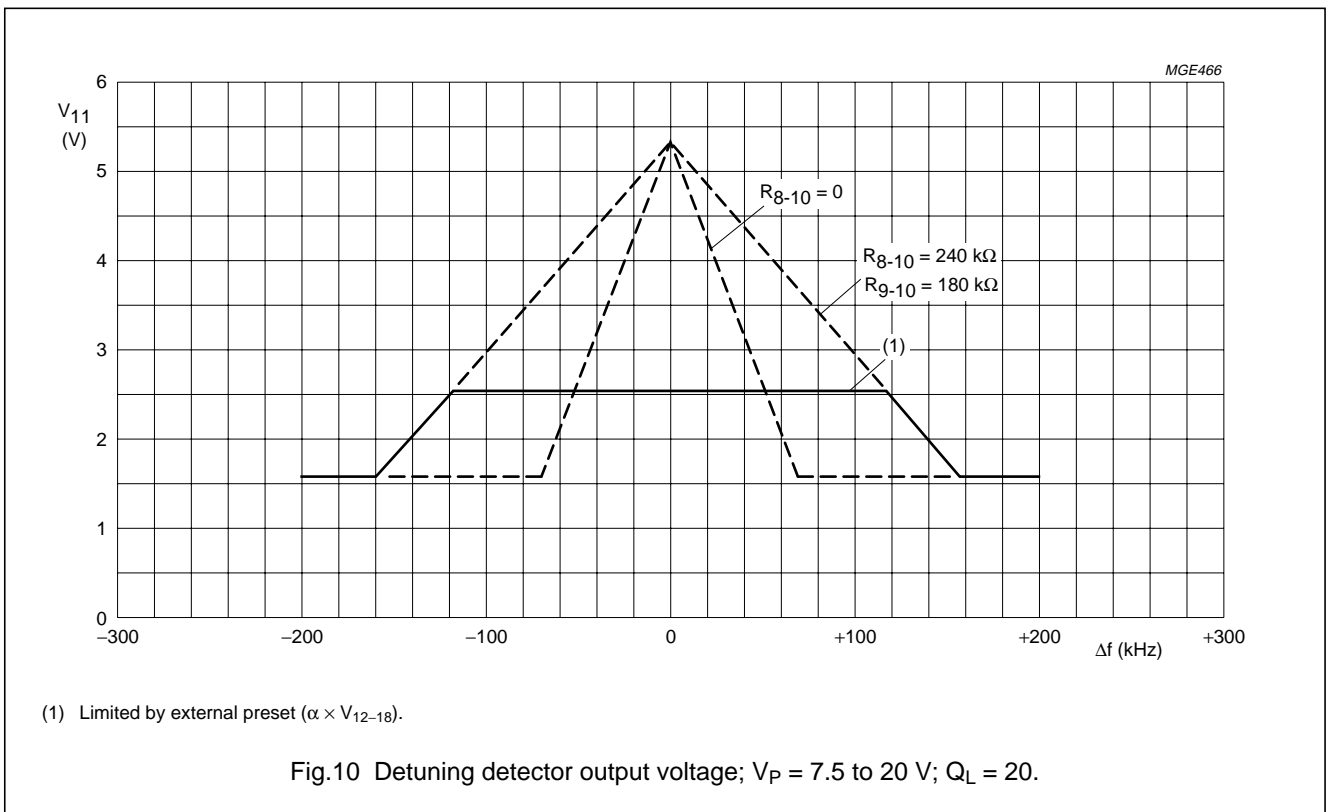
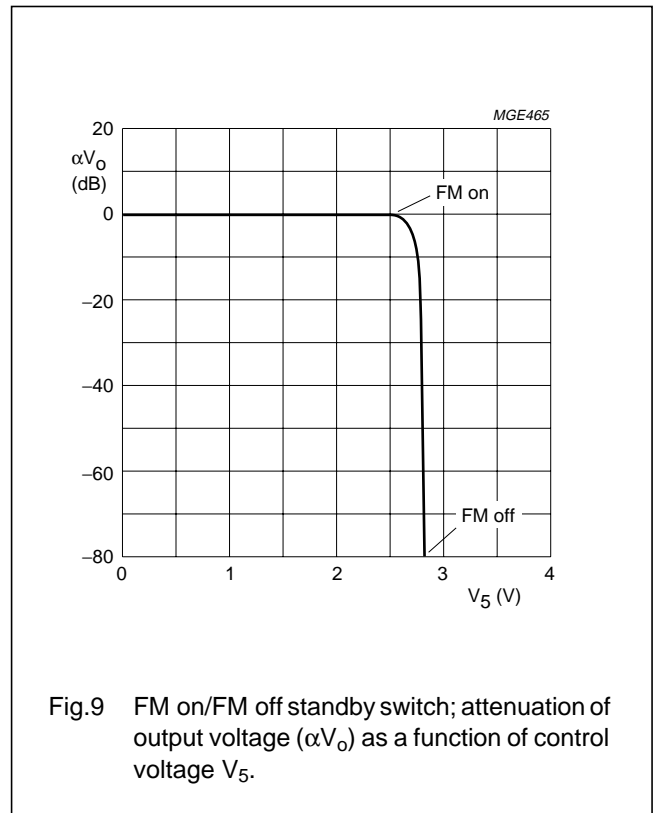
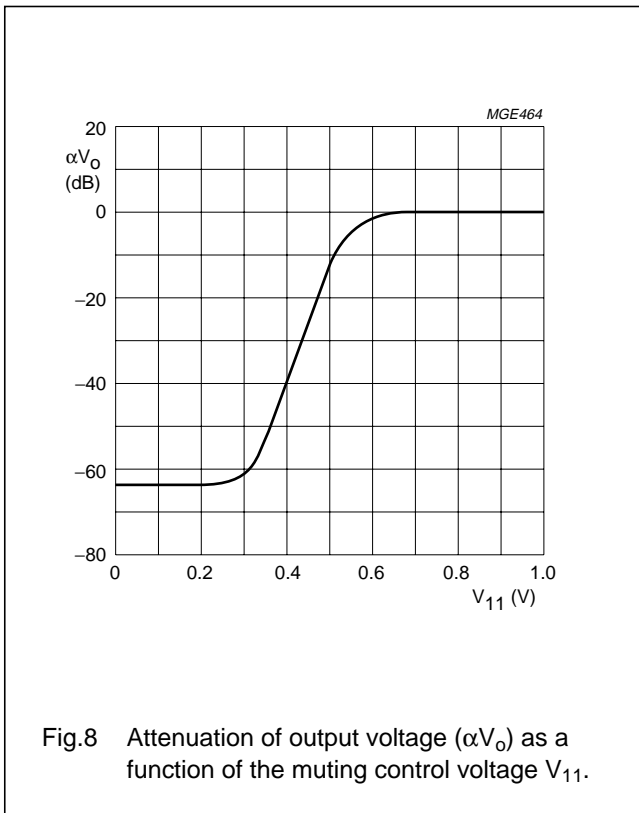
FM/IF amplifier/demodulator circuit

TDA1576



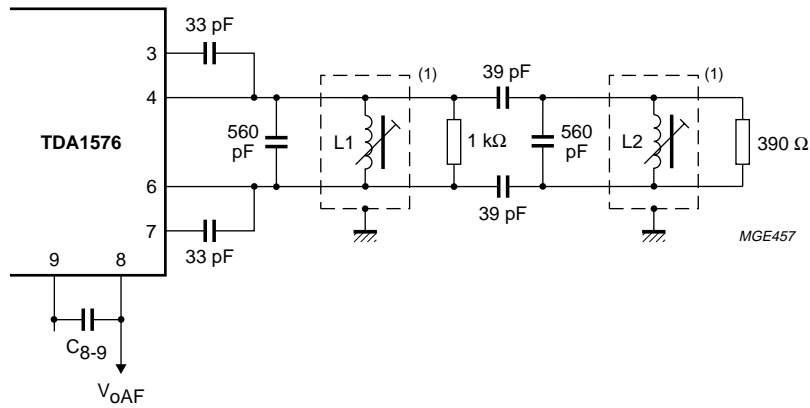
FM/IF amplifier/demodulator circuit

TDA1576



FM/IF amplifier/demodulator circuit

TDA1576



Adjustment of the demodulator circuit is obtained with an IF signal which is higher than the 3 dB limiting level; L2 should be short-circuited or detuned; L1 should be adjusted to minimum  $d_2$  distortion, and then L2 to minimum  $d_2$  distortion.

(1) Coil data: L1 = L2 = 0.38  $\mu$ H; Q<sub>o</sub> = 70; coil former KAN (C).

Fig.11 An example of the TDA1576 when using a demodulator with two tuned circuits.

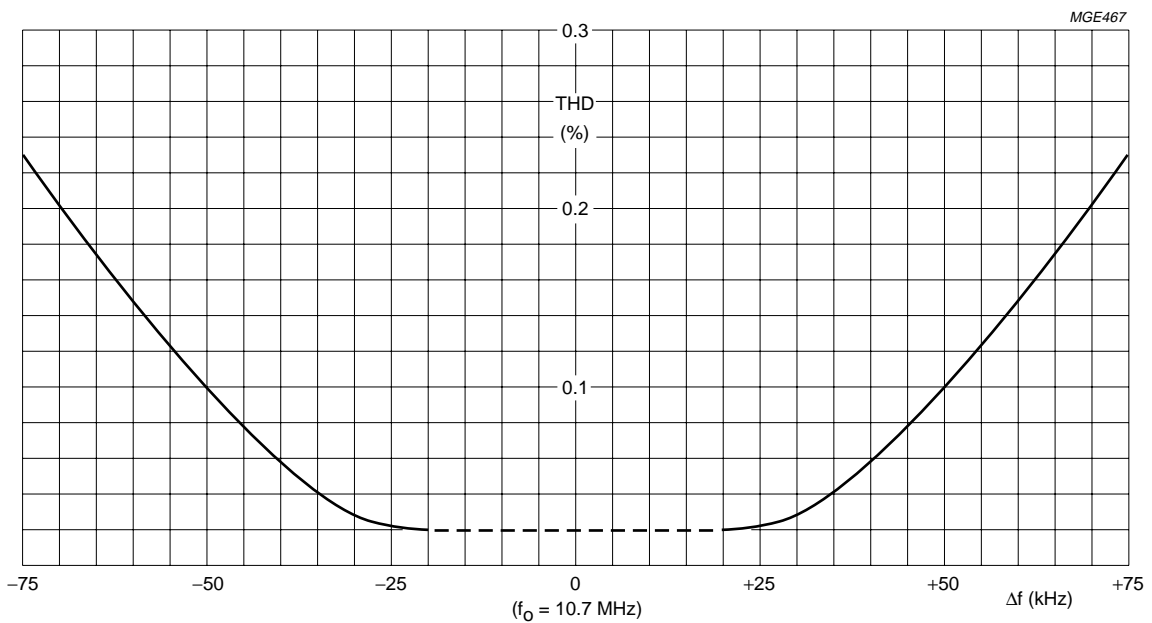
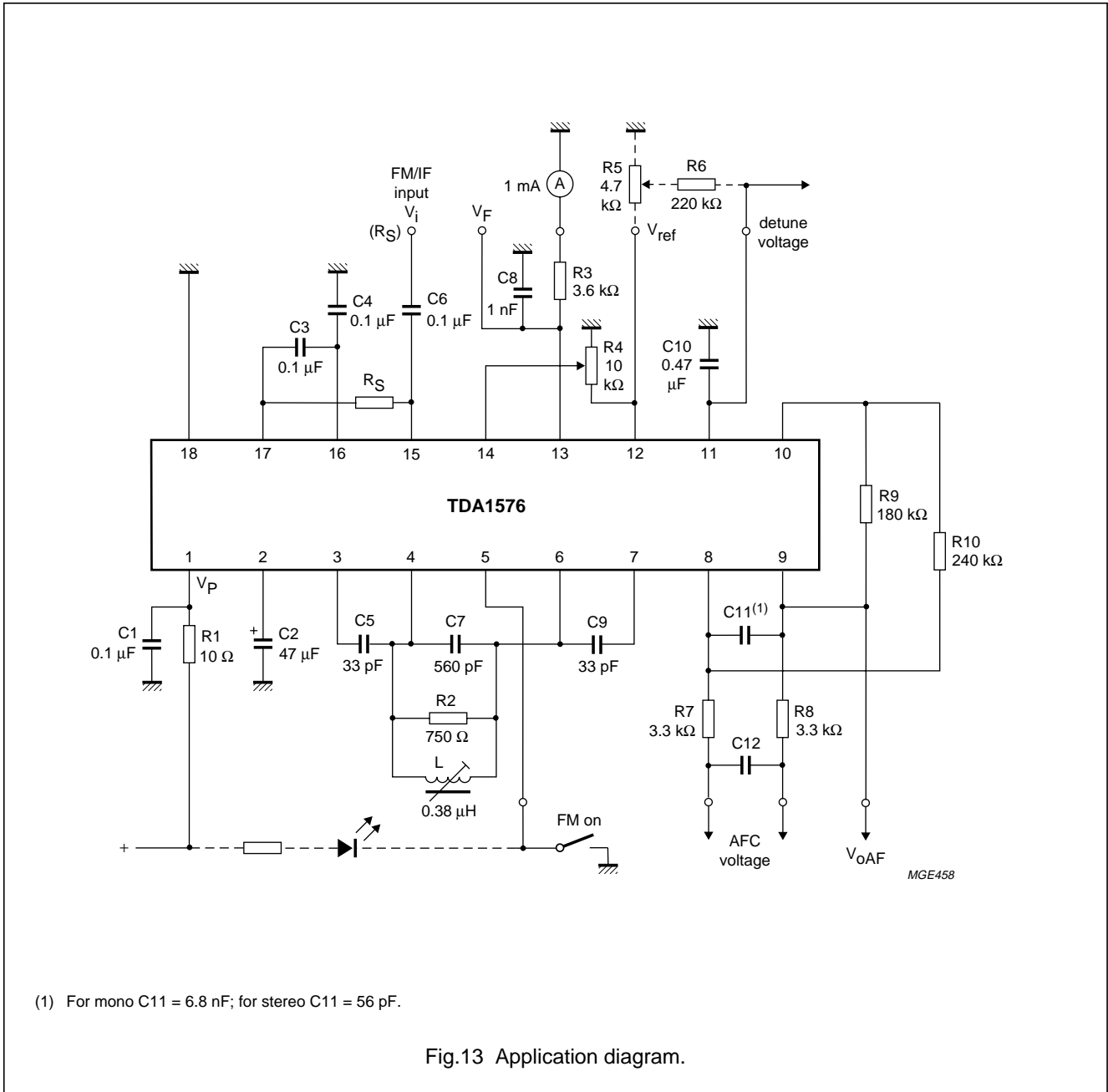


Fig.12 Total harmonic distortion as a function of detuning;  $f_m = 400$  Hz;  $C_{8-9} = 6.8$  nF;  $\Delta f = \pm 75$  kHz;  $V_o = 330$  mV for a frequency deviation  $\Delta f = \pm 75$  kHz.

FM/IF amplifier/demodulator circuit

TDA1576

APPLICATION INFORMATION



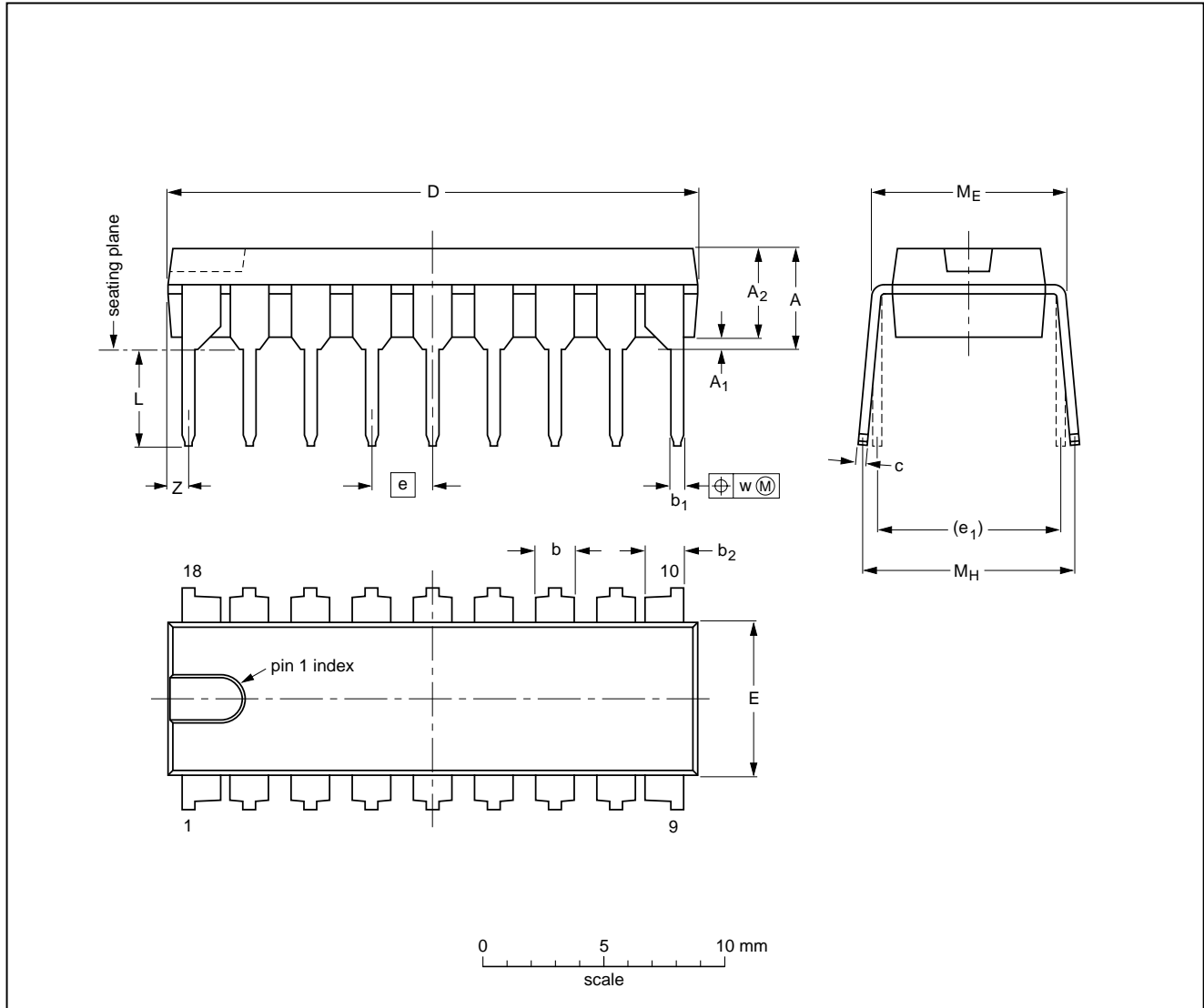
FM/IF amplifier/demodulator circuit

TDA1576

PACKAGE OUTLINE

DIP18: plastic dual in-line package; 18 leads (300 mil)

SOT102-1



DIMENSIONS (inch dimensions are derived from the original mm dimensions)

UNIT	A max.	A <sub>1</sub> min.	A <sub>2</sub> max.	b	b <sub>1</sub>	b <sub>2</sub>	c	D <sup>(1)</sup>	E <sup>(1)</sup>	e	e <sub>1</sub>	L	M <sub>E</sub>	M <sub>H</sub>	w	Z <sup>(1)</sup> max.
mm	4.7	0.51	3.7	1.40 1.14	0.53 0.38	1.40 1.14	0.32 0.23	21.8 21.4	6.48 6.20	2.54	7.62	3.9 3.4	8.25 7.80	9.5 8.3	0.254	0.85
inches	0.19	0.020	0.15	0.055 0.044	0.021 0.015	0.055 0.044	0.013 0.009	0.86 0.84	0.26 0.24	0.10	0.30	0.15 0.13	0.32 0.31	0.37 0.33	0.01	0.033

Note

1. Plastic or metal protrusions of 0.25 mm maximum per side are not included.

OUTLINE VERSION	REFERENCES				EUROPEAN PROJECTION	ISSUE DATE
	IEC	JEDEC	EIAJ			
SOT102-1						93-10-14 95-01-23

## FM/IF amplifier/demodulator circuit

TDA1576

**SOLDERING****Introduction to soldering through-hole mount packages**

This text gives a brief insight to wave, dip and manual soldering. A more in-depth account of soldering ICs can be found in our "Data Handbook IC26; Integrated Circuit Packages" (document order number 9398 652 90011).

Wave soldering is the preferred method for mounting of through-hole mount IC packages on a printed-circuit board.

**Soldering by dipping or by solder wave**

The maximum permissible temperature of the solder is 260 °C; solder at this temperature must not be in contact with the joints for more than 5 seconds.

The total contact time of successive solder waves must not exceed 5 seconds.

The device may be mounted up to the seating plane, but the temperature of the plastic body must not exceed the specified maximum storage temperature ( $T_{stg(max)}$ ). If the printed-circuit board has been pre-heated, forced cooling may be necessary immediately after soldering to keep the temperature within the permissible limit.

**Manual soldering**

Apply the soldering iron (24 V or less) to the lead(s) of the package, either below the seating plane or not more than 2 mm above it. If the temperature of the soldering iron bit is less than 300 °C it may remain in contact for up to 10 seconds. If the bit temperature is between 300 and 400 °C, contact may be up to 5 seconds.

**Suitability of through-hole mount IC packages for dipping and wave soldering methods**

PACKAGE	SOLDERING METHOD	
	DIPPING	WAVE
DBS, DIP, HDIP, SDIP, SIL	suitable	suitable <sup>(1)</sup>

**Note**

- For SDIP packages, the longitudinal axis must be parallel to the transport direction of the printed-circuit board.

## FM/IF amplifier/demodulator circuit

TDA1576

**DEFINITIONS**

<b>Data sheet status</b>	
Objective specification	This data sheet contains target or goal specifications for product development.
Preliminary specification	This data sheet contains preliminary data; supplementary data may be published later.
Product specification	This data sheet contains final product specifications.
<b>Limiting values</b>	
Limiting values given are in accordance with the Absolute Maximum Rating System (IEC 134). Stress above one or more of the limiting values may cause permanent damage to the device. These are stress ratings only and operation of the device at these or at any other conditions above those given in the Characteristics sections of the specification is not implied. Exposure to limiting values for extended periods may affect device reliability.	
<b>Application information</b>	
Where application information is given, it is advisory and does not form part of the specification.	

**LIFE SUPPORT APPLICATIONS**

These products are not designed for use in life support appliances, devices, or systems where malfunction of these products can reasonably be expected to result in personal injury. Philips customers using or selling these products for use in such applications do so at their own risk and agree to fully indemnify Philips for any damages resulting from such improper use or sale.

# Philips Semiconductors – a worldwide company

**Argentina:** see South America

**Australia:** 34 Waterloo Road, NORTH RYDE, NSW 2113, Tel. +61 2 9805 4455, Fax. +61 2 9805 4466

**Austria:** Computerstr. 6, A-1101 WIEN, P.O. Box 213, Tel. +43 160 1010, Fax. +43 160 101 1210

**Belarus:** Hotel Minsk Business Center, Bld. 3, r. 1211, Volodarski Str. 6, 220050 MINSK, Tel. +375 172 200 733, Fax. +375 172 200 773

**Belgium:** see The Netherlands

**Brazil:** see South America

**Bulgaria:** Philips Bulgaria Ltd., Energoproject, 15th floor, 51 James Bourchier Blvd., 1407 SOFIA, Tel. +359 2 689 211, Fax. +359 2 689 102

**Canada:** PHILIPS SEMICONDUCTORS/COMPONENTS, Tel. +1 800 234 7381

**China/Hong Kong:** 501 Hong Kong Industrial Technology Centre, 72 Tat Chee Avenue, Kowloon Tong, HONG KONG, Tel. +852 2319 7888, Fax. +852 2319 7700

**Colombia:** see South America

**Czech Republic:** see Austria

**Denmark:** Prags Boulevard 80, PB 1919, DK-2300 COPENHAGEN S, Tel. +45 32 88 2636, Fax. +45 31 57 0044

**Finland:** Sinikalliontie 3, FIN-02630 ESPOO, Tel. +358 9 615800, Fax. +358 9 61580920

**France:** 51 Rue Carnot, BP317, 92156 SURESNES Cedex, Tel. +33 1 40 99 6161, Fax. +33 1 40 99 6427

**Germany:** Hammerbrookstraße 69, D-20097 HAMBURG, Tel. +49 40 23 53 60, Fax. +49 40 23 536 300

**Greece:** No. 15, 25th March Street, GR 17778 TAVROS/ATHENS, Tel. +30 1 4894 339/239, Fax. +30 1 4814 240

**Hungary:** see Austria

**India:** Philips INDIA Ltd, Band Box Building, 2nd floor, 254-D, Dr. Annie Besant Road, Worli, MUMBAI 400 025, Tel. +91 22 493 8541, Fax. +91 22 493 0966

**Indonesia:** PT Philips Development Corporation, Semiconductors Division, Gedung Philips, Jl. Buncit Raya Kav.99-100, JAKARTA 12510, Tel. +62 21 794 0040 ext. 2501, Fax. +62 21 794 0080

**Ireland:** Newstead, Clonskeagh, DUBLIN 14, Tel. +353 1 7640 000, Fax. +353 1 7640 200

**Israel:** RAPAC Electronics, 7 Kehilat Saloniki St, PO Box 18053, TEL AVIV 61180, Tel. +972 3 645 0444, Fax. +972 3 649 1007

**Italy:** PHILIPS SEMICONDUCTORS, Piazza IV Novembre 3, 20124 MILANO, Tel. +39 2 6752 2531, Fax. +39 2 6752 2557

**Japan:** Philips Bldg 13-37, Kohnan 2-chome, Minato-ku, TOKYO 108-8507, Tel. +81 3 3740 5130, Fax. +81 3 3740 5077

**Korea:** Philips House, 260-199 Itaewon-dong, Yongsan-ku, SEOUL, Tel. +82 2 709 1412, Fax. +82 2 709 1415

**Malaysia:** No. 76 Jalan Universiti, 46200 PETALING JAYA, SELANGOR, Tel. +60 3 750 5214, Fax. +60 3 757 4880

**Mexico:** 5900 Gateway East, Suite 200, EL PASO, TEXAS 79905, Tel. +9-5 800 234 7381

**Middle East:** see Italy

**Netherlands:** Postbus 90050, 5600 PB EINDHOVEN, Bldg. VB, Tel. +31 40 27 82785, Fax. +31 40 27 88399

**New Zealand:** 2 Wagener Place, C.P.O. Box 1041, AUCKLAND, Tel. +64 9 849 4160, Fax. +64 9 849 7811

**Norway:** Box 1, Manglerud 0612, OSLO, Tel. +47 22 74 8000, Fax. +47 22 74 8341

**Pakistan:** see Singapore

**Philippines:** Philips Semiconductors Philippines Inc., 106 Valero St. Salcedo Village, P.O. Box 2108 MCC, MAKATI, Metro MANILA, Tel. +63 2 816 6380, Fax. +63 2 817 3474

**Poland:** Ul. Lukiska 10, PL 04-123 WARSZAWA, Tel. +48 22 612 2831, Fax. +48 22 612 2327

**Portugal:** see Spain

**Romania:** see Italy

**Russia:** Philips Russia, Ul. Usatcheva 35A, 119048 MOSCOW, Tel. +7 095 755 6918, Fax. +7 095 755 6919

**Singapore:** Lorong 1, Toa Payoh, SINGAPORE 319762, Tel. +65 350 2538, Fax. +65 251 6500

**Slovakia:** see Austria

**Slovenia:** see Italy

**South Africa:** S.A. PHILIPS Pty Ltd., 195-215 Main Road Martindale, 2092 JOHANNESBURG, P.O. Box 7430 Johannesburg 2000, Tel. +27 11 470 5911, Fax. +27 11 470 5494

**South America:** Al. Vicente Pinzon, 173, 6th floor, 04547-130 SÃO PAULO, SP, Brazil, Tel. +55 11 821 2333, Fax. +55 11 821 2382

**Spain:** Balmes 22, 08007 BARCELONA, Tel. +34 93 301 6312, Fax. +34 93 301 4107

**Sweden:** Kottbygatan 7, Akalla, S-16485 STOCKHOLM, Tel. +46 8 5985 2000, Fax. +46 8 5985 2745

**Switzerland:** Allmendstrasse 140, CH-8027 ZÜRICH, Tel. +41 1 488 2741 Fax. +41 1 488 3263

**Taiwan:** Philips Semiconductors, 6F, No. 96, Chien Kuo N. Rd., Sec. 1, TAIPEI, Taiwan Tel. +886 2 2134 2865, Fax. +886 2 2134 2874

**Thailand:** PHILIPS ELECTRONICS (THAILAND) Ltd., 209/2 Sanpavuth-Bangna Road Prakanong, BANGKOK 10260, Tel. +66 2 745 4090, Fax. +66 2 398 0793

**Turkey:** Talatpasa Cad. No. 5, 80640 GÜLTEPE/ISTANBUL, Tel. +90 212 279 2770, Fax. +90 212 282 6707

**Ukraine:** PHILIPS UKRAINE, 4 Patrice Lumumba str., Building B, Floor 7, 252042 KIEV, Tel. +380 44 264 2776, Fax. +380 44 268 0461

**United Kingdom:** Philips Semiconductors Ltd., 276 Bath Road, Hayes, MIDDLESEX UB3 5BX, Tel. +44 181 730 5000, Fax. +44 181 754 8421

**United States:** 811 East Arques Avenue, SUNNYVALE, CA 94088-3409, Tel. +1 800 234 7381

**Uruguay:** see South America

**Vietnam:** see Singapore

**Yugoslavia:** PHILIPS, Trg N. Pasica 5/v, 11000 BEOGRAD, Tel. +381 11 625 344, Fax. +381 11 635 777

**For all other countries apply to:** Philips Semiconductors, International Marketing & Sales Communications, Building BE-p, P.O. Box 218, 5600 MD EINDHOVEN, The Netherlands, Fax. +31 40 27 24825

**Internet:** <http://www.semiconductors.philips.com>

© Philips Electronics N.V. 1998

SCA60

All rights are reserved. Reproduction in whole or in part is prohibited without the prior written consent of the copyright owner.

The information presented in this document does not form part of any quotation or contract, is believed to be accurate and reliable and may be changed without notice. No liability will be accepted by the publisher for any consequence of its use. Publication thereof does not convey nor imply any license under patent- or other industrial or intellectual property rights.

Printed in The Netherlands

545102/750/02/pp16

Date of release: 1998 Nov 18

Document order number: 9397 750 04822

*Let's make things better.*

**Philips  
Semiconductors**



**PHILIPS**