

ISDN S Interface Hybrid

APC14117S

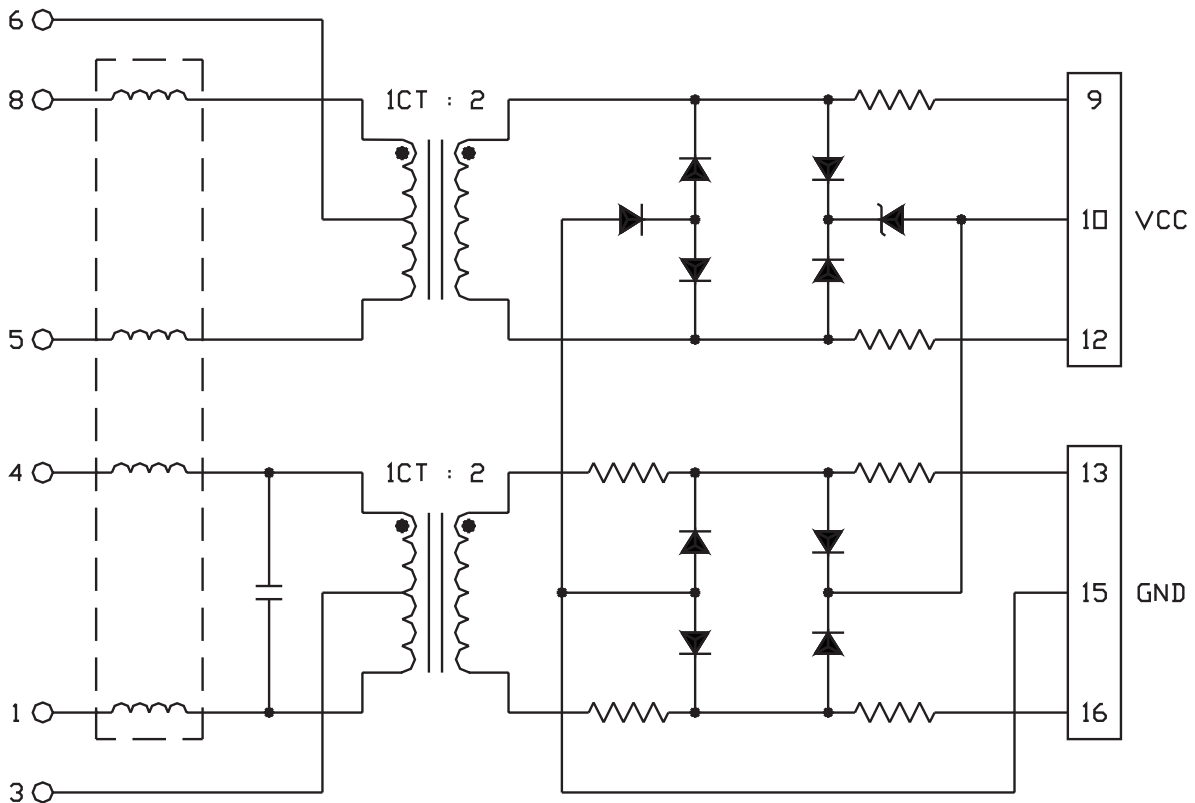
ELECTRICAL SPECIFICATIONS@25°C OPERATING TEMPERATURE 0°C TO +70°C

Turns Ratio ±5%	Primary Inductance mH min	Leakage Inductance uH max	Primary DCR Ω ±20%	Secondary DCR Ω ±20%	Choke	
					Inductance per line mH nom	DCR per line Ω
1CT : 2	20	10	2.2	2.8	0.04	0.5

NOTE: Isolation PRI : SEC, 1500 Vrms

SCHEMATIC

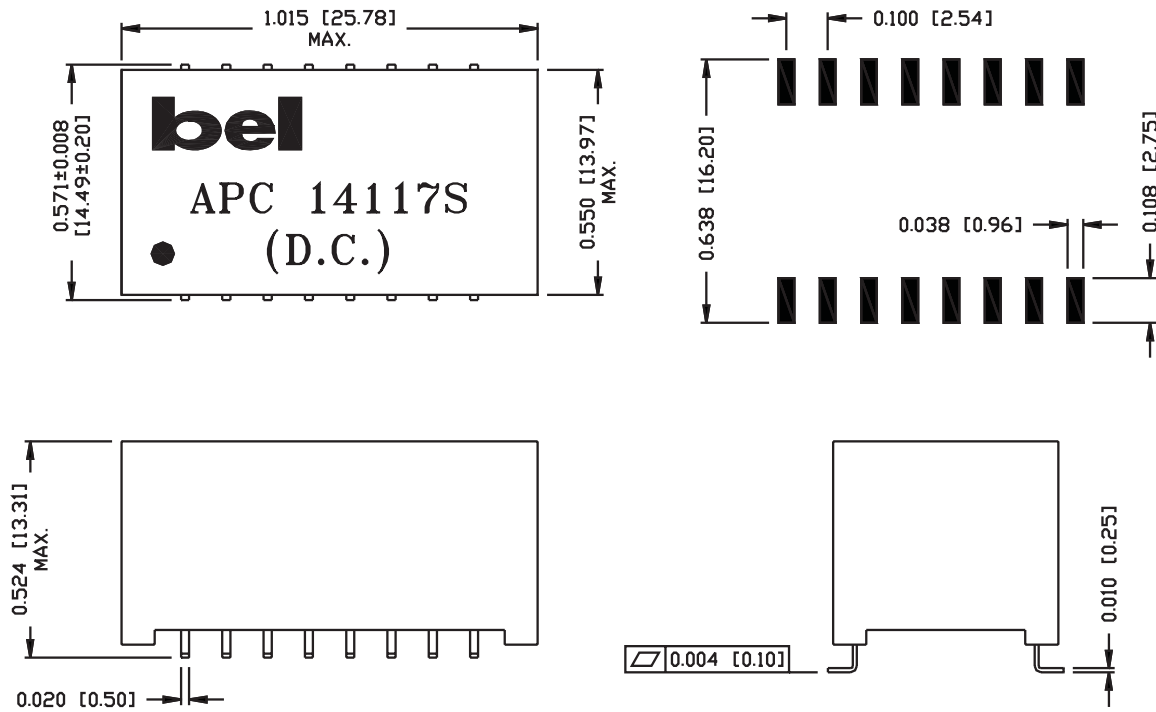
APC14117S



MECHANICAL

APC14117S

RECOMMENDED PCB PAD LAYOUT



©2004 Bel Fuse Inc. Specifications subject to change without notice. 03.31.04

CORPORATE

Bel Fuse Inc.
 206 Van Vorst Street
 Jersey City, NJ 07302
 Tel 201-432-0463
 Fax 201-432-9542
 www.belfuse.com

FAR EAST

Bel Fuse Ltd.
 8F / 8 Luk Hop Street
 San Po Kong
 Kowloon, Hong Kong
 Tel 852-2328-5515
 Fax 852-2352-3706
 www.belfuse.com

EUROPE

Bel Stewart Connector
 45/46 Riverside
 Medway City Estate
 Rochester, Kent ME2 4DP U.K.
 Tel 44-1634-722890
 Fax 44-1634-716677
 www.belfuse.com