

# ISDN S Interface Hybrid

APC14131s

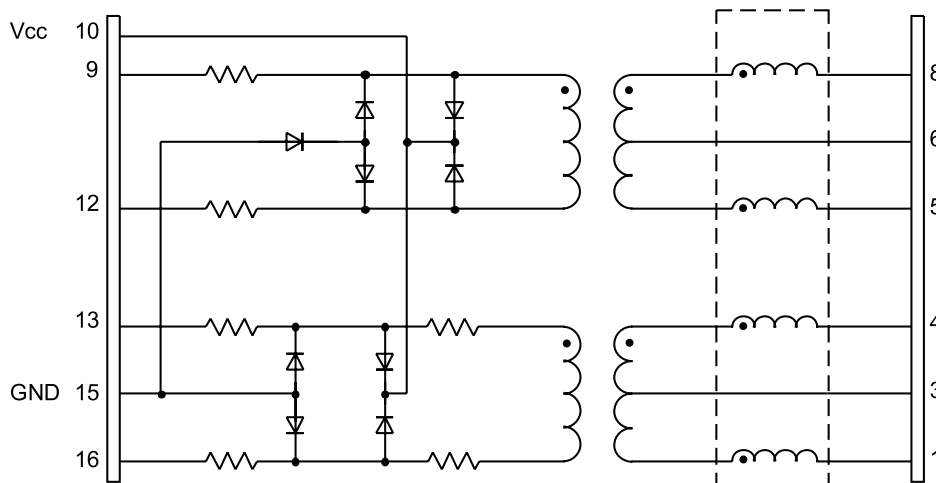
## ELECTRICAL SPECIFICATIONS@25°C OPERATING TEMPERATURE -40°C TO +85°C

Turns Ratio ±5%	Primary Inductance mH min	Leakage Inductance uH max	Primary DCR Ω ±30%	Secondary DCR Ω ±30%	Choke	
					Inductance per line mH nom	DCR per line Ω
1CT : 1	22	4	1.95	1.95	0.04	0.5

NOTES: 1. Isolation PRI : SEC, 1500 Vrms  
2. Designed to be used with Infineon PEB3086, PEB 3186, PEB3081

## SCHEMATIC

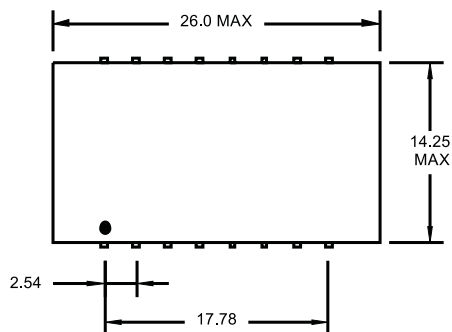
APC14131s



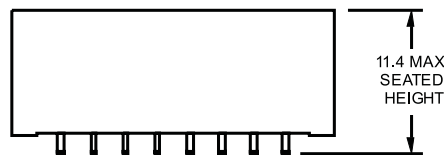
#### MECHANICAL

#### APC14131s

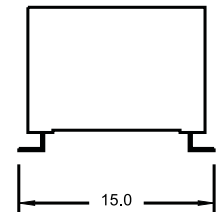
Top View



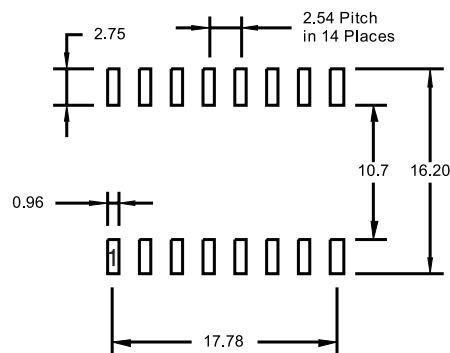
Side View



End View



#### Recommended PCB Layout



NOTES: DIMENSIONS MM UNLESS OTHERWISE SPECIFIED  
ALL TOLERANCES +/- 0.010  
0.25

©2003 Bel Fuse Inc. Specifications subject to change without notice. 08.19.03

#### CORPORATE

Bel Fuse Inc.  
206 Van Vorst Street  
Jersey City, NJ 07302  
Tel 201-432-0463  
Fax 201-432-9542  
www.belfuse.com

#### FAR EAST

Bel Fuse Ltd.  
8F / 8 Luk Hop Street  
San Po Kong  
Kowloon, Hong Kong  
Tel 852-2328-5515  
Fax 852-2352-3706  
www.belfuse.com

#### EUROPE

Bel Stewart Connector  
45/46 Riverside  
Medway City Estate  
Rochester, Kent ME2 4DP U.K.  
Tel 44-1634-722890  
Fax 44-1634-716677  
www.belfuse.com