

#### FEATURES

- Rise/Fall Time..... 3.0ns
- Swing ..... 65VP-P
- Supply Voltage..... 90V

#### APPLICATIONS

- CRT driver for up to 95kHz monitors with resolution up to 1280 x 1024.

#### DESCRIPTION

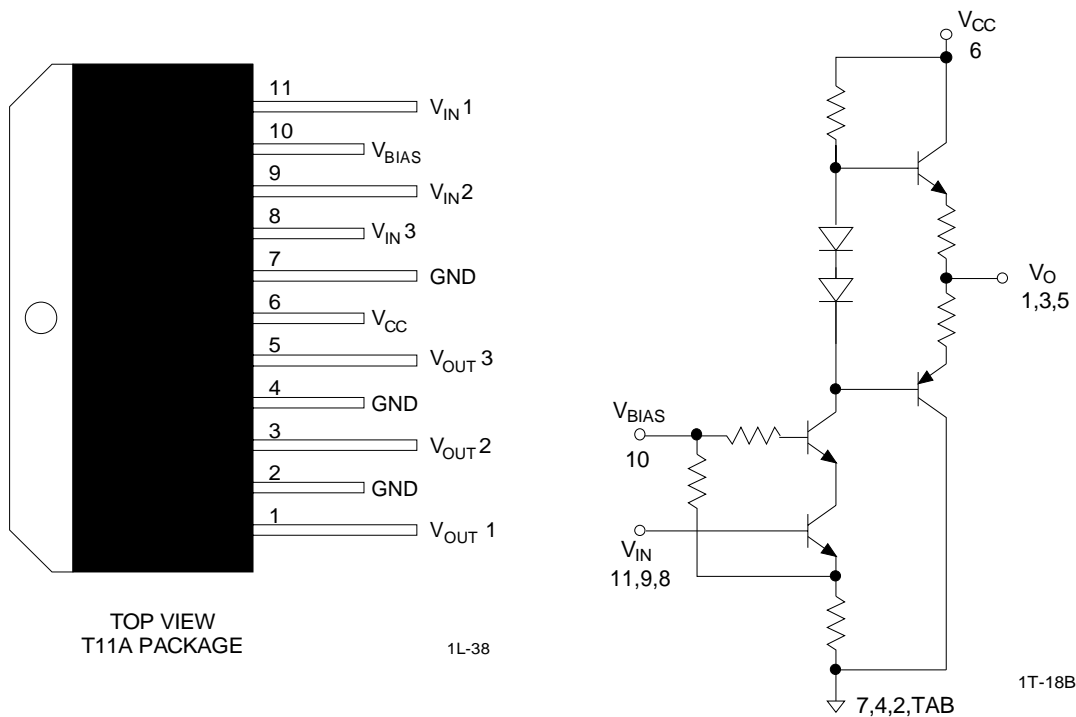
The CVA2408T contains three high impedance, wideband amplifiers, designed specifically to drive a CRT. The device can drive monitors with resolutions up to 1280 x 1024 (non-interlaced) with pixel frequencies of 260MHz.

The product is housed in the industry standard 11 lead TO-220 molded power package.

#### ORDERING INFORMATION

Part	Package	Temperature
CVA2408T	T11A	-20°C to +100°C

#### CONNECTION DIAGRAM



## ABSOLUTE MAXIMUM RATINGS

Supply Voltage . . . . .	95V	Operating Temperature . . . . .	-20°C to +100°C
Power Dissipation . . . . .	16W	Lead Temperature . . . . .	+300°C
Storage Temperature . . . . .	-25°C to +125°C		

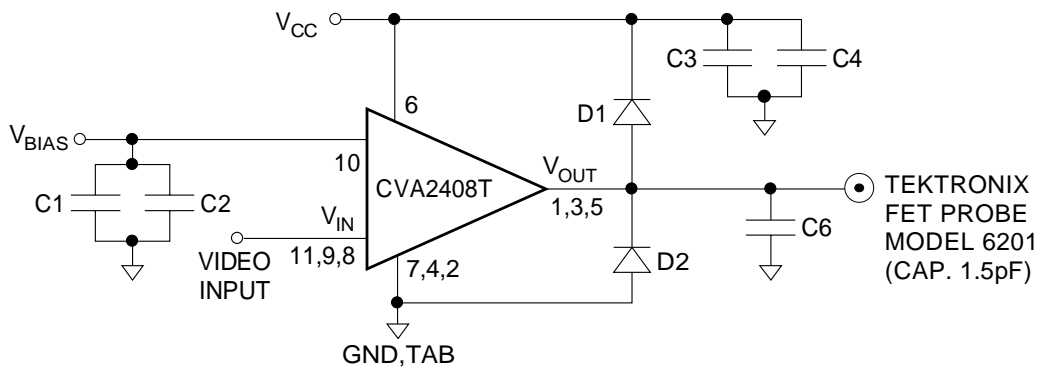
**DC ELECTRICAL CHARACTERISTICS**  $V_s = 80V$ ,  $DC_{INPUT\ BIAS} = 12V$ ,  $V_{IN} = 2.4V$ ,  $T_{CASE} = +25^\circ C$ .  
See Figure 1.

SYMBOL	CHARACTERISTICS	MIN	TYP	MAX	UNITS
$I_{CC}$	Supply Current @ 1MHz		28		mA
$V_{OUT\ DC}$	Output DC Level	45	50	55	V
$A_v$	Voltage Gain	13	15	17	V
	Gain Matching		0.2		dB

**AC ELECTRICAL CHARACTERISTICS**  $V_s = 80V$ ,  $C_L = 8pF$ ,  $DC_{INPUT\ BIAS} = 12V$ ,  $V_{IN} = 2.4V$ ,  $V_{OUT} = 50V_{p-p}$ .  $T_{CASE} = +25^\circ C$ .  
See Figure 1.

SYMBOL	CHARACTERISTICS	MIN	TYP	MAX	UNITS
$T_r$	Rise Time		3		ns
$T_f$	Fall Time		3		ns
$L_e$	Linearity		5		%
OS	Overshoot		5		%

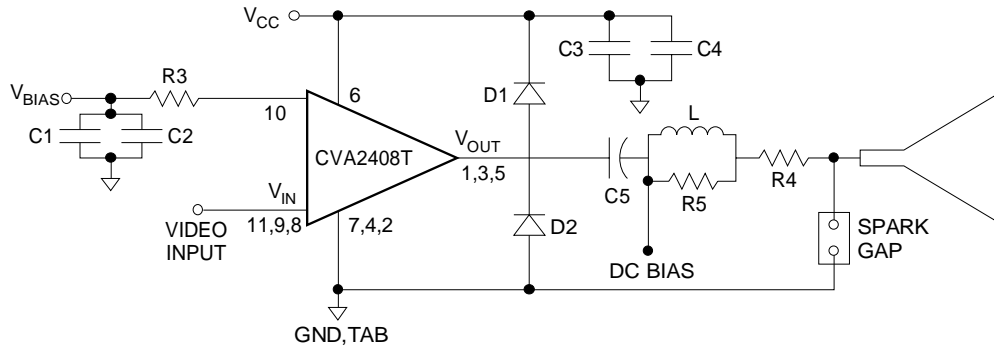
**FIGURE 1. TEST CIRCUIT**



$C1 = 0.01\mu F$        $C4 = 100\mu F$        $D1, D2 = FHD400$   
 $C2 = 100\mu F$        $C6 = 8pF$

1T-23

**FIGURE 2. APPLICATION CIRCUIT**



- |                        |                   |                 |
|------------------------|-------------------|-----------------|
| R3 = 47 $\Omega$       | C1 = 0.01 $\mu$ F | D1, D2 = FHD400 |
| R4 = 47(1/2W) $\Omega$ | C2 = 100 $\mu$ F  | L = 330 - 390nH |
| R7 = 33 $\Omega$       | C3 = 0.1 $\mu$ F  |                 |
| R8 = 39 $\Omega$       | C4 = 100 $\mu$ F  |                 |
| R10 = 680 $\Omega$     | C5 = 2.2 $\mu$ F  |                 |

1T-24