

# PL-2515 Hi-Speed USB Flash Disk Controller

## OVERVIEW

PL-2515 integrated circuit is a Hi-speed USB Flash Disk controller. This single chip consists of a hub, two mass-storage-class devices, and a "security device". The PL-2515 allows interface up to eight state-of-the-art NAND flash memories as its storage media. The required USB hub function is embedded to achieve the most cost-effective goal for multi-device solution.

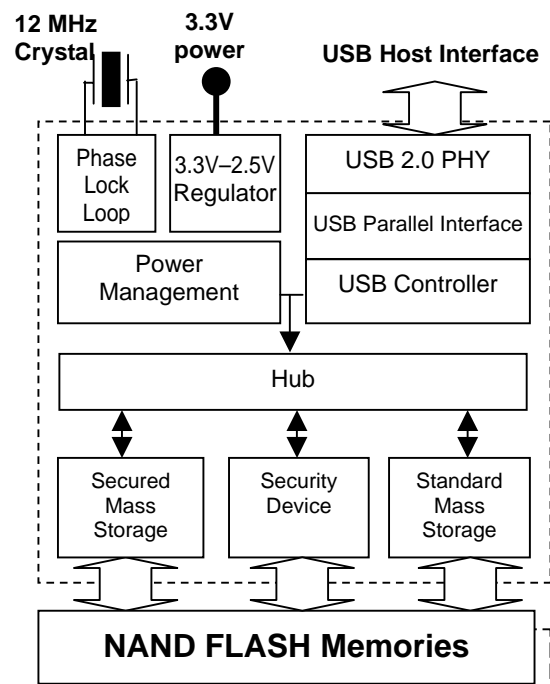
The available NAND flash memories on board can generally be used as a normal single disk or partitioned into a standard/open mass storage device and a secured mass storage device. The sizes of the partitions can be easily configured and adjusted using the security utility program. To access the secured mass storage device or disk, users must first enter a password using the security utility program. Customers can pre-load the software driver and the application program or any other handy utilities into the standard storage disk to save on extra disk cost and to enhance user convenience.

To take advantage of Plug and Play, the mass storage device is implemented according to the USB mass storage class. Since the default driver is embedded within most of the current OS, no extra driver except the security driver is needed for Linux, Mac OS, Windows ME/2000/XP and above.

## FEATURES

- Full compliance with Universal Serial Bus Specification v2.0
- On chip USB2.0 PHY
- On chip 3.3V-2.5V 150mA regulator for internal circuit
- High performance write over 1Mbyte/s and read over 5.2Mbyte/s
- Support up to eight state-of-the-art NAND flash memories
- Embedded USB hub function
- Security device included to secure the privacy of the data (customizable)
- Support booting from USB Hi-Speed Flash Disk
- Configurable disk partition
- Mass storage class compatible, no driver needed in MAC OS, Windows ME, 2000, XP or above
- Advanced power management mechanism.
- Package type: LQFP64pin

## BLOCK DIAGRAM



## Prolific Technology Inc.