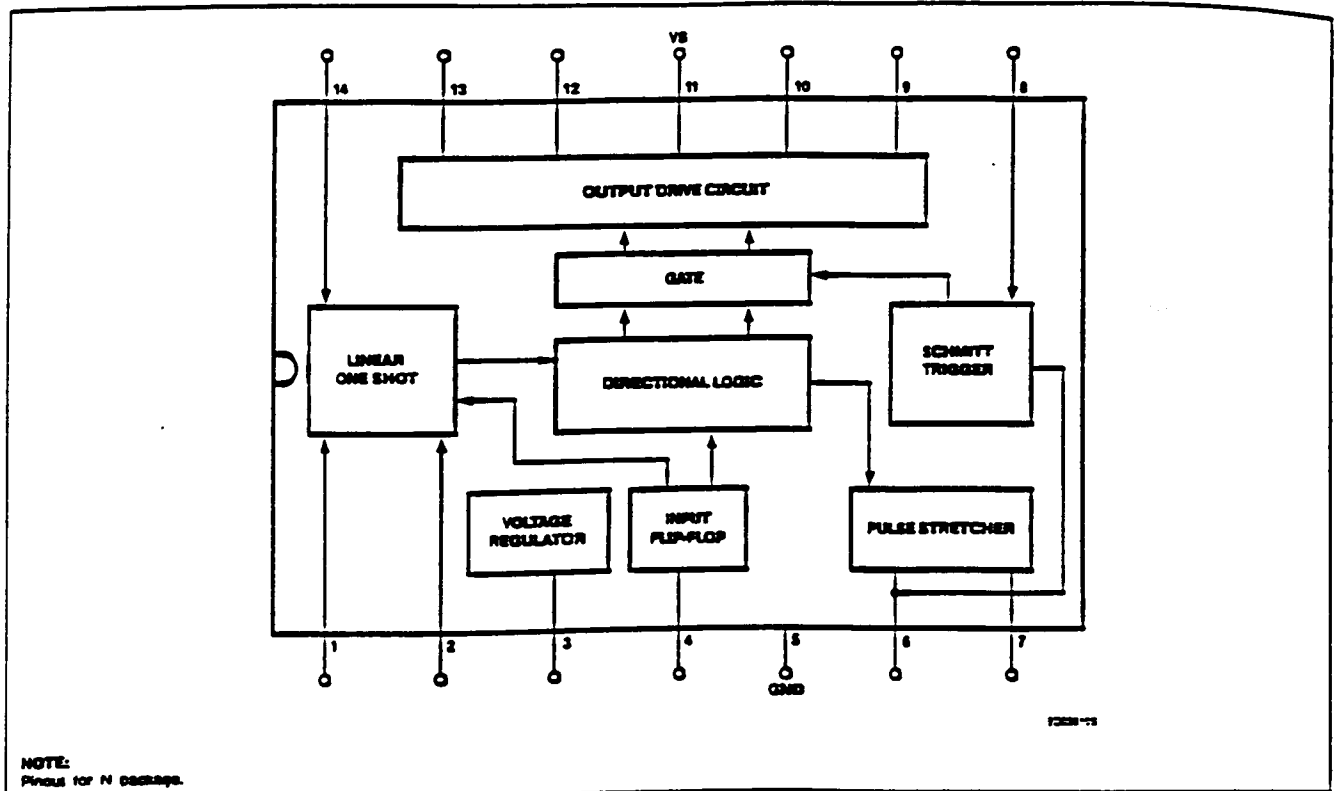


Servo Amplifier

NE544

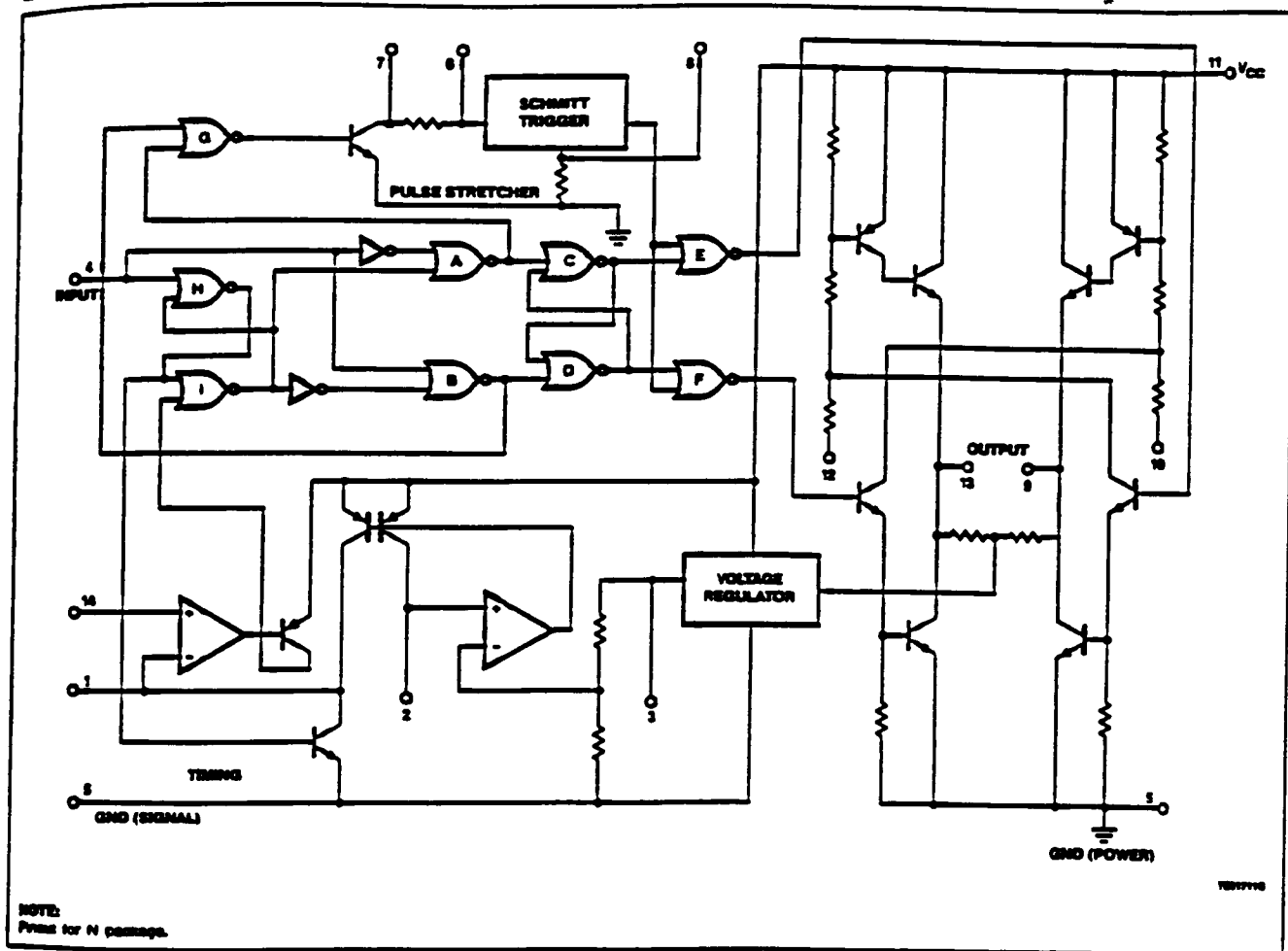
BLOCK DIAGRAM



Servo Amplifier

NE544

EQUIVALENT SCHEMATIC



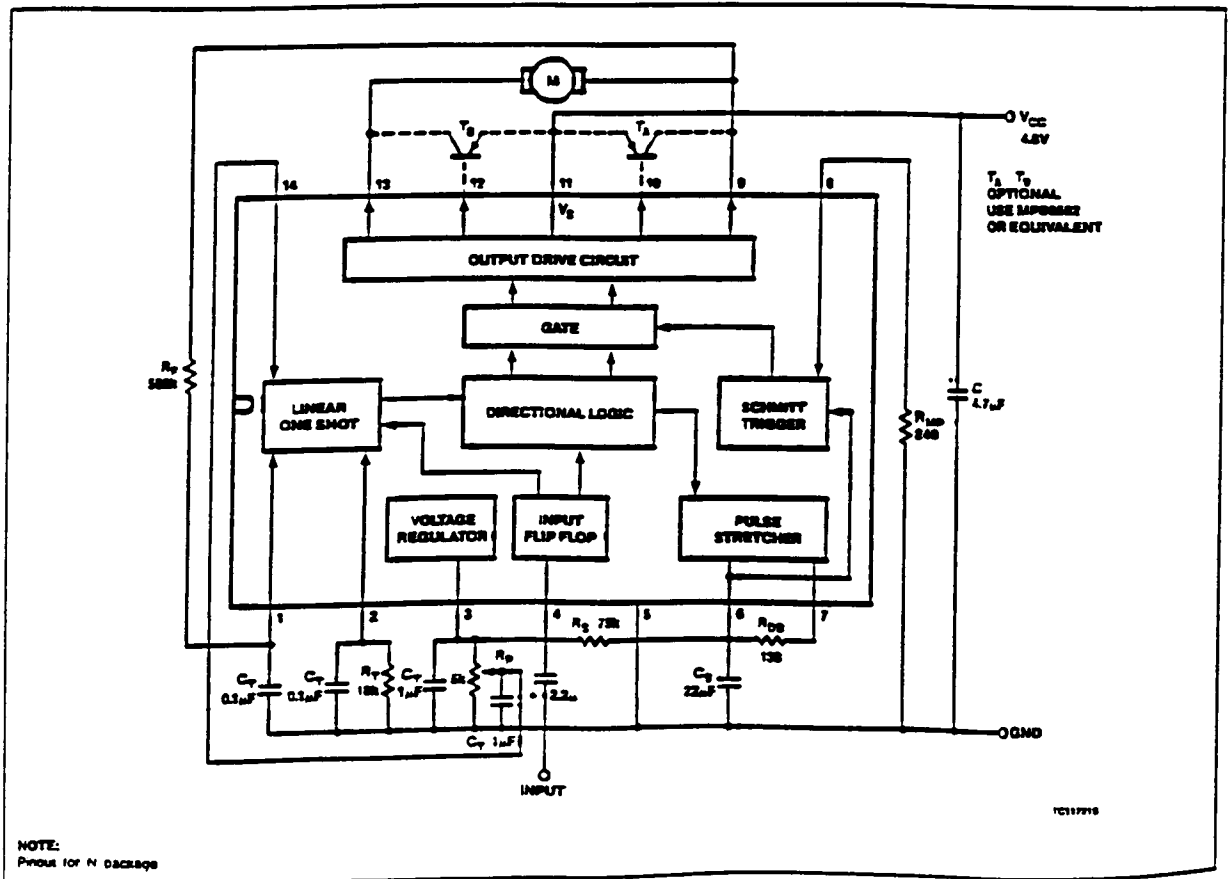
Servo Amplifier

NE544

DC ELECTRICAL CHARACTERISTICS $T_A = 25^\circ\text{C}$, $V_S = 4.8\text{V}$ unless otherwise specified.

SYMBOL	PARAMETER	TEST CONDITIONS	LIMITS			UNIT
			MIN	TYP	MAX	
V_{CC}	Supply voltage	Quiescent	3.2	4.8	6	V
I_{CC}	Supply current, Pin 11		4.2	5.5	10	mA
V_{TH}	Input threshold, Pin 4			1.5		V
	On			1.4		
Z_{IN}	Input resistance, Pin 4			18		k Ω
V_{OL}	Output voltage	Pin 9 or 13, $I_L = 400\text{mA}$		0.3		V
V_{OH}	Low			3.9		
V_{REG}	Regulated voltage, Pin 3		2.1	2.5	2.9	V
ΔV_{REG}	Regulation, Pin 3	$3.9\text{V} < V_{CC} < 6\text{V}$ $R_{DS} = 0$		10		mV/V
	Minimum deadband, Pin 7			1		μs
	One-shot temperature coefficient			0.01		%/°C
	Standby output voltage	Pins 9 and 13		2.5		V
	PNP drive current	Pins 10 and 12		20		mA

TYPICAL CONNECTION OF NE544N FOR LINEAR ONE-SHOT TIMING



ISI IDEAL SEMICONDUCTOR INC.

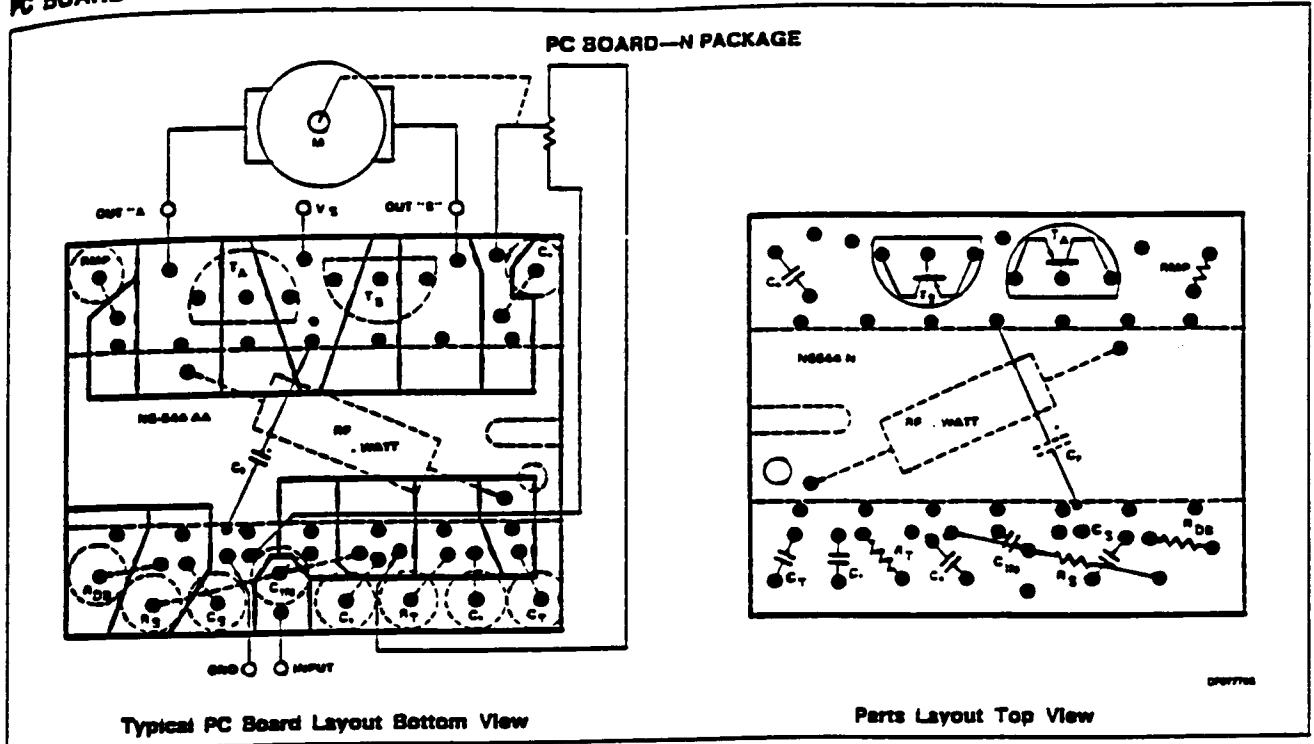
"Your Best Defense Against Obsolescence"

Product Specification

Servo Amplifier

NE544

PC BOARD — N PACKAGE



ISI IDEAL SEMICONDUCTOR INC.

"Your Best Defense Against Obsolescence"

Product Specification

Servo Amplifier

NE544

TYPICAL PERFORMANCE CHARACTERISTICS

