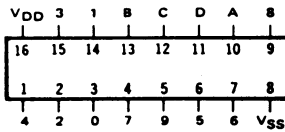
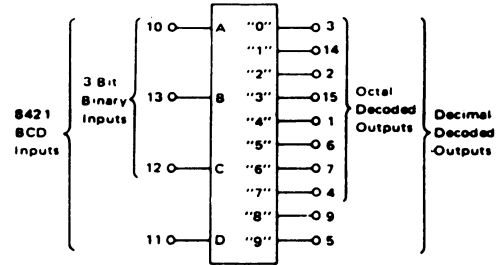


SCL4028B

BCD-TO-DECIMAL DECODER



BLOCK DIAGRAM



STATIC CHARACTERISTICS: ($V_{SS} = 0 V$)

PARAMETER	CONDITIONS	V_{DD} (Vdc)	T_{LOW}^*		+25°C			T_{HIGH}^{**}		UNIT
			MIN	MAX	MIN	TYP	MAX	MIN	MAX	
QUIESCENT DEVICE CURRENT I_{DD}	$V_{IN} = V_{SS}$ OR V_{DD}	5		5		0.05	5		150	μA_{dc}
		10		10		0.1	10		300	
		15		20		0.2	20		600	

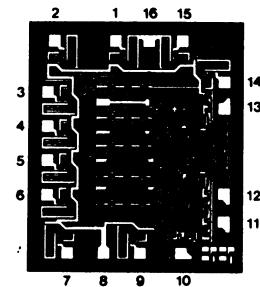
Note: * T_{LOW} = -55°C for C / H devices, -40°C for E / S devices, ** T_{HIGH} = +125°C for C / H devices, +85°C for E / S devices.

DYNAMIC CHARACTERISTICS: ($C_L = 50pF, T_A = 25°C$)

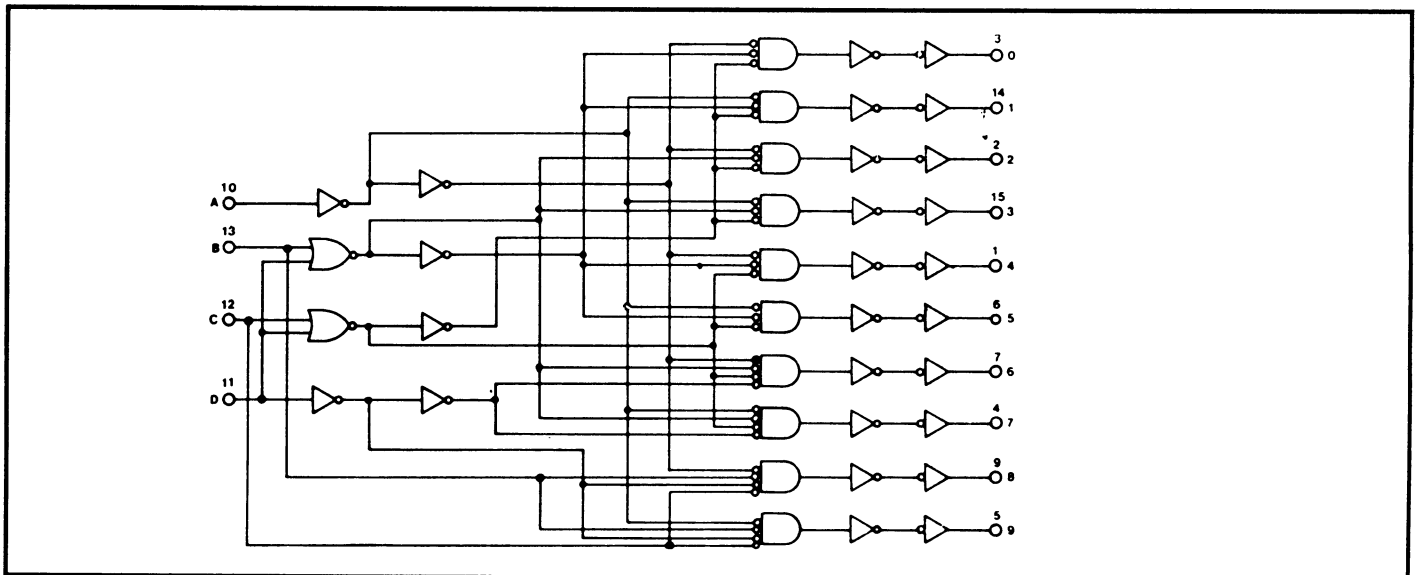
PARAMETER	V_{DD} Vdc	MINIMUM	TYPICAL	MAXIMUM	UNIT
PROPAGATION DELAY TIME t_{PLH}, t_{PHL}	5		150	300	ns
	10		60	120	
	15		50	100	
OUTPUT TRANSITION TIME t_{TLH}, t_{THL}	5		90	180	ns
	10		50	100	
	15		40	80	

DIE DRAWING

SCL4028B
66 x 78 mils



LOGIC DIAGRAM



Note: Refer to "SCL4000B SERIES FAMILY SPECIFICATIONS" for remaining Dynamic & Static Characteristics, and, for recommended and maximum operating conditions.