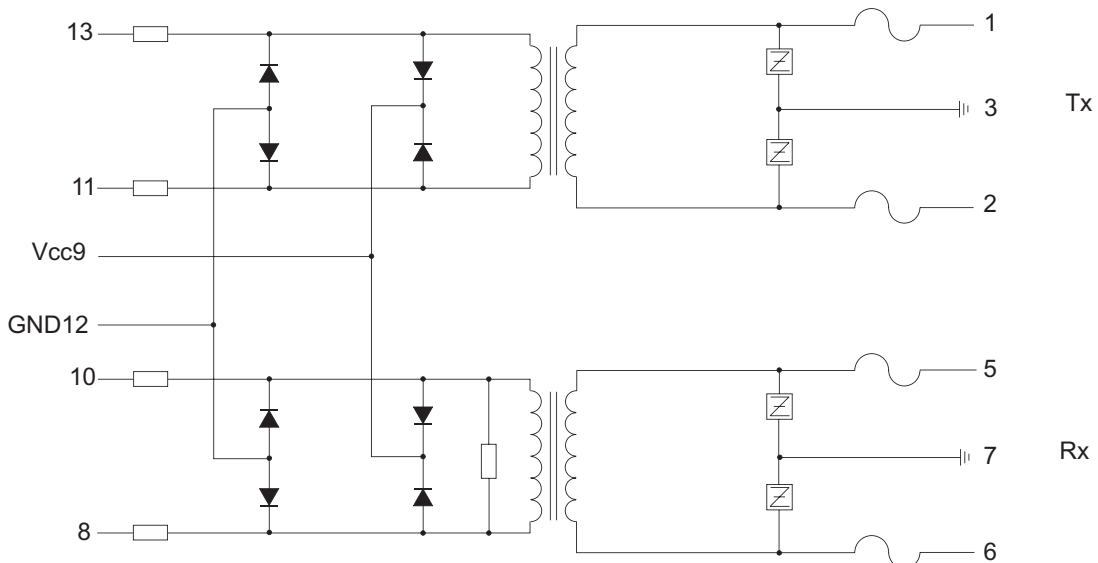


“Slim Line” Hybrids for Infineon T1/E1/J1 IC’s
APC822XX-I

FEATURES

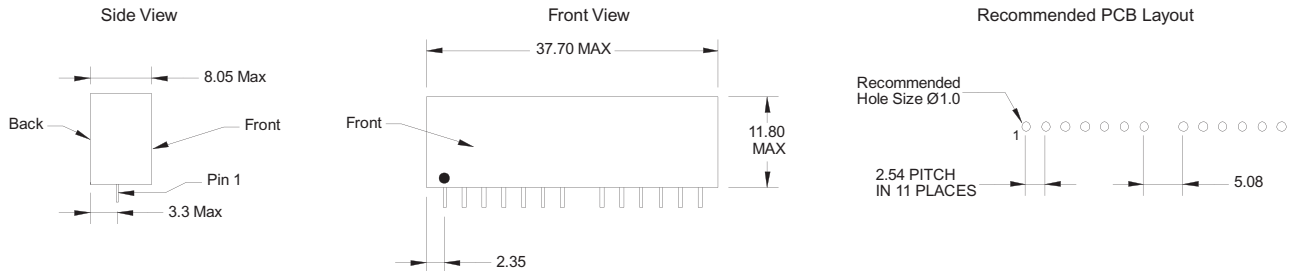
- Supports Falc and Quad Falc Chipsets for T1/E1/J1 applications including numbers PEB2256, PEB22504
- Minimum board space requirement - ideal for multiple interface line cards
- Telcordia Technologies and FCC compliant
- UL1950. Approval pending for EN60950 / IEC60950
- APC’s “Slim Line” T1/E1/J1 hybrids have been designed to minimize the board space requirements for line interface circuitry on the T1/E1/J1 multichannel line cards

SCHEMATIC



NOTE: SCHEMATIC SHOWN PROVIDES LONGITUDINAL PROTECTION. FOR METALLIC PROTECTION, CONNECT 1 - 3 (2 N/C) AND 5 - 7 (6 N/C)

MECHANICAL



NOTE: ALL DIMENSIONS IN MM

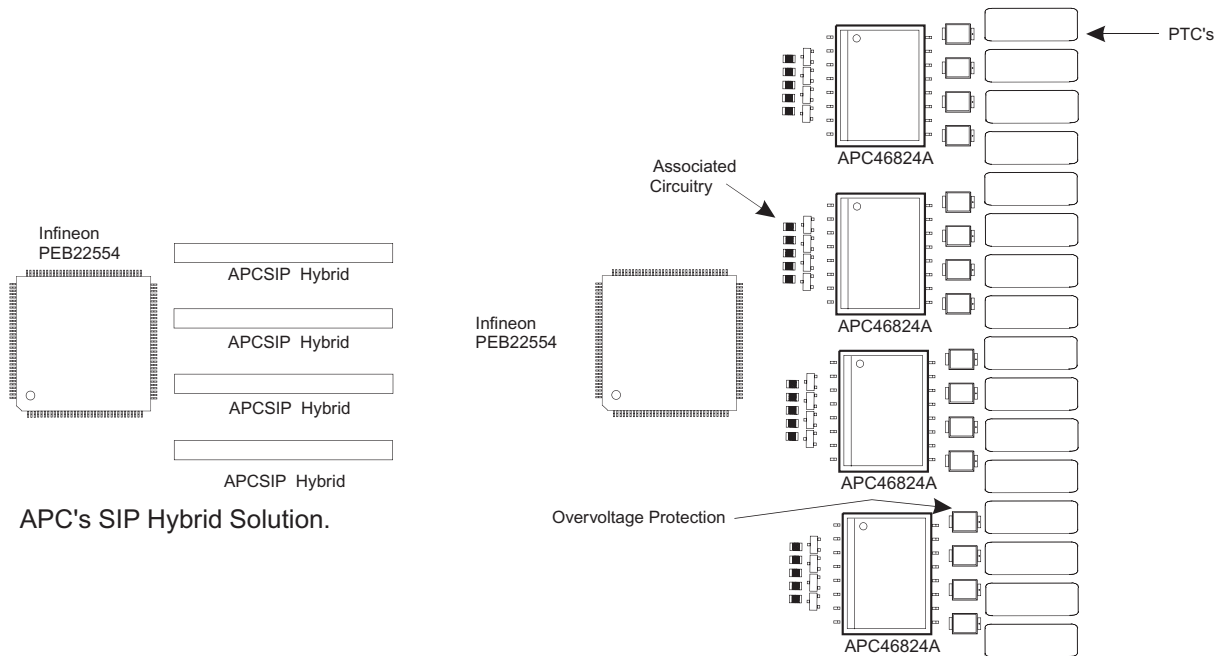


“Slim Line” Hybrids for Infineon T1/E1/J1 IC’s
APC822XX-I

PRODUCT RANGE AND APPLICATIONS

Single T1/E1 Hybrid (SIP)								
APC...	Infineon Chip			Application	Voltage	Protection	Tx T/R	Rx T/R
82201	PEB2256 (Falc56)	PEB22504 (QuadLIU)	PEB22554 (QuadFalc)	E1(120 ohm)	3.3V	Metallic	2.4	1.0
82202	PEB2256 (Falc56)	PEB22504 (QuadLIU)	PEB22554 (QuadFalc)	E1(120 ohm)	3.3V	Longitudinal	2.4	1.0
82207	PEB2256 (Falc56)	PEB22504 (QuadLIU)	PEB22554 (QuadFalc)	T1/J1 (100 ohm)	3.3V	Metallic	2.4	1.0
82208	PEB2256 (Falc56)	PEB22504 (QuadLIU)	PEB22554 (QuadFalc)	T1/J1 (100 ohm)	3.3V	Longitudinal	2.4	1.0
82237	PEB2256 (Falc56)	PEB22504 (QuadLIU)	PEB22554 (QuadFalc)	Generic T1/E1/J1	3.3V	Metallic	2.4	1.0
82238	PEB2256 (Falc56)	PEB22504 (QuadLIU)	PEB22554 (QuadFalc)	Generic T1/E1/J1	3.3V	Longitudinal	2.4	1.0

HYBRID V DISCRETE SOLUTIONS



Discrete Solution, as per example layout

©2003 Bel Fuse Inc. Specifications subject to change without notice. 05.20.03

CORPORATE

Bel Fuse Inc.
 206 Van Vorst Street
 Jersey City, NJ 07302
 Tel 201-432-0463
 Fax 201-432-9542
 www.belfuse.com

FAR EAST

Bel Fuse Ltd.
 8F / 8 Luk Hop Street
 San Po Kong
 Kowloon, Hong Kong
 Tel 852-2328-5515
 Fax 852-2352-3706
 www.belfuse.com

EUROPE

Bel Stewart Connector
 45/46 Riverside
 Medway City Estate
 Rochester, Kent ME2 4DP U.K.
 Tel 44-1634-722890
 Fax 44-1634-716677
 www.belfuse.com