

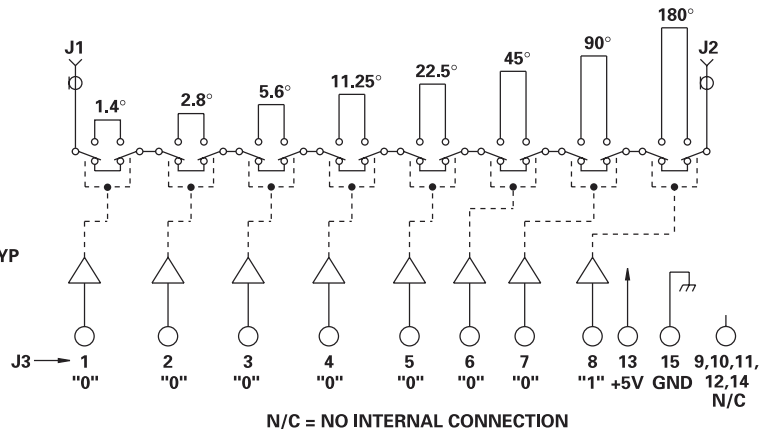
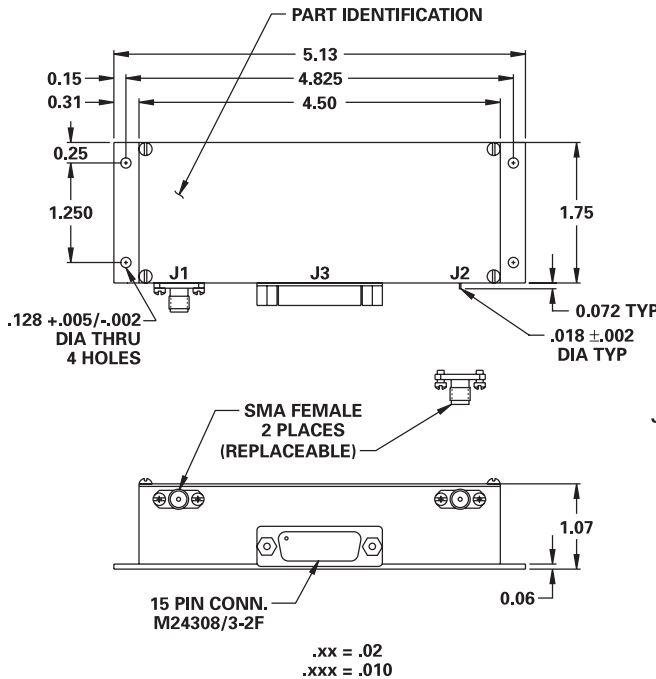
MODEL NUMBER DPS89082

Phase Shifter 8 Section

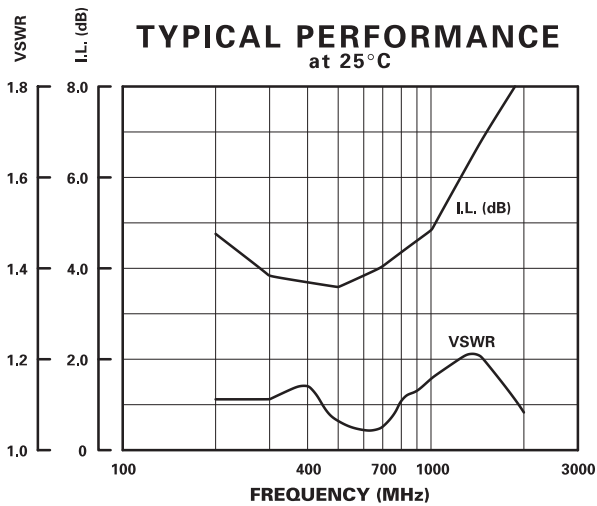
FEATURES

- 500-1000 MHz
- 100 mA, +15 VDC
- Field Replaceable SMA Connectors
- Also Available in Dual 38 Pin DIPs as DPS42028 and DPS42029

8 BIT



TYPICAL PERFORMANCE at 25°C



GUARANTEED PERFORMANCE

Parameter	Min	Typ	Max	Units	Conditions
Operating Frequency	500		1000	MHz	Phase Tuned at F _c = 700 ±5 MHz
DC Current		100	200	mA	At +15 VDC Supply
Control Type		TTL			8 Line Logic "1" = Phase Shift
Control Current	High Low		±10 ±10	µA µA	V _{IH} = +2.7 V V _{IL} = +0.5 V
Insertion Loss		4.9	6.0	dB	
Amplitude Vs. Phase Variation		0.1	±0.5	dB	
Phase	Steps Range Accuracy	0	358.6	DEG DEG DEG	1.4, 2.8, 5.6, 11.25, 22.5 45, 90, 180 At ±(.2 DEG +2% of Phase Value) = 700 MHz
VSWR		1.16/1	1.35/1		
Impedance		50		OHMS	
Switching Speed		160	500	nSec	50% TTL to 90% / 10% RF
Transition (Rise/Fall) Time		50		nSec	90% / 10% or 10% / 90% RF
Switching (Video) Transients		230		mV	Peak Value
Intercept Points	2nd 3rd	+71 +30		dBm dBm	
RF Power	Operate No Damage	+14 +23	+10 +23	dBm dBm	1.0 dB Compression
Operating Temperature		-55	+25	+85	°C TA