

NOTE:

1.0 C1, C2, C3, C4 = 0.1 uF, 50V

ELECTRICAL SPECIFICATIONS:



1.0 TURNS RATIO: (P3-P2) : (J2-J1) : 1CT : 1CT ±3%
 (P5-P4) : (J6-J3) : 1CT : 1CT ±3%
 (P7-P6) : (J5-J4) : 1CT : 1CT ±3%
 (P9-P8) : (J8-J7) : 1CT : 1CT ±3%

2.0 INDUCTANCE: (P3-P2) ; (P5-P4) : 350 uH MIN. @ 0.01V, 100KHz, 8 mA DC BIAS
 (P7-P6) ; (P9-P8) : 350 uH MIN. @ 0.01V, 100KHz, 8 mA DC BIAS

3.0 LEAKAGE INDUCTANCE: P3-P2 (WITH J2 AND J1 SHORT) : 0.3uH MAX. @ 1MHz
 P5-P4 (WITH J6 AND J3 SHORT) : 0.3uH MAX. @ 1MHz
 P7-P6 (WITH J5 AND J4 SHORT) : 0.3uH MAX. @ 1MHz
 P9-P8 (WITH J8 AND J7 SHORT) : 0.3uH MAX. @ 1MHz

4.0 INTERWINDING CAPACITANCE: (P3-P2) : (J2-J1) : 70pf MAX @ 1MHz
 (P5-P4) : (J6-J3) : 70pf MAX @ 1MHz
 (P7-P6) : (J5-J4) : 70pf MAX @ 1MHz
 (P9-P8) : (J8-J7) : 70pf MAX @ 1MHz

5.0 DC RESISTANCE: (J6-J3) ; (J2-J1) ; 1 : 1.2 ohms Max.

	InNet Technologies, Inc. http://www.innet-tech.com	
	 Stewart Connector Systems http://www.stewartconnector.com	
SHEET 1 OF 4	DRAWING NO. SI-41002	REV. X

6.0 RETURN LOSS: 1MHz TO 30MHz	:	18dB MIN.
30MHz TO 80MHz	:	12-20 LOG ($\frac{F}{80\text{MHz}}$)
7.0 DIELECTRIC WITHSTAND: (J1,J2) TO (P2,P3) ; (J5,J4) TO (P6-P5)	:	1500 VAC
(J3,J6) TO (P7,P4) ; (J8,J7) TO (P9, P8)	:	1500 VAC
8.0 INSERTION LOSS: RS=RL=100 ohms	:	
100KHz TO 100MHz	:	1.1 dB MAX
9.0 RISE TIME: RS=100 OHMS AND RL = 100 OHMS	:	
OUTPUT VOLTAGE = 1 V peak	:	3.0 nS MAX
PULSE WIDTH= 112nS	:	3.0 nS MAX
10.0 CROSS TALK: 1-60 MHz	:	35 dB MIN
60-100 MHz	:	25 dB MIN
11.0 COMMON TO COMMON MODE ATTENUATION: 1MHz TO 100MHz	:	35dB TYP



InNet Technologies, Inc.
<http://www.innet-tech.com>



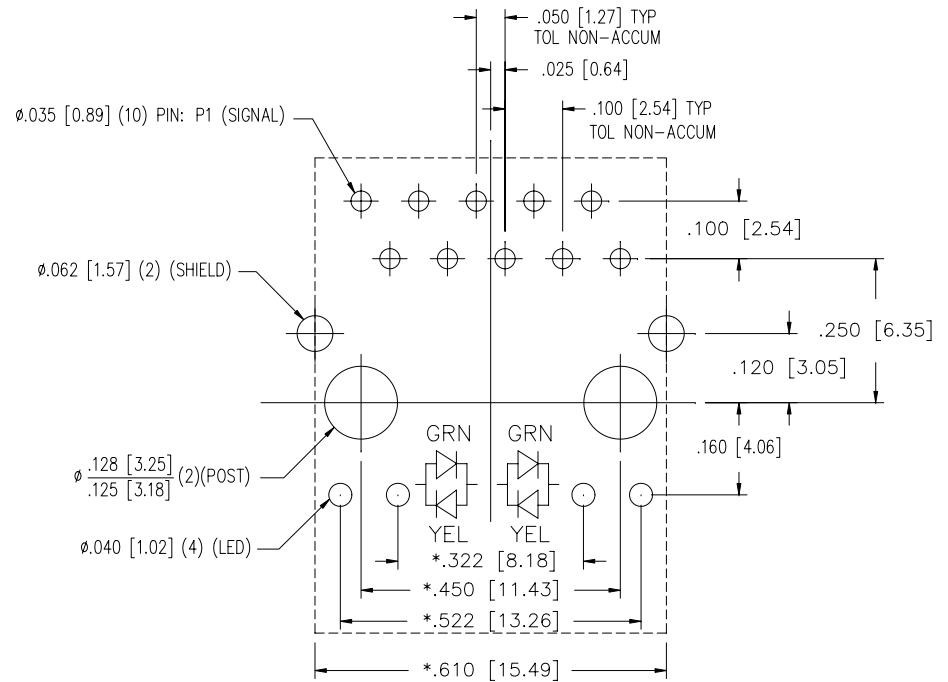
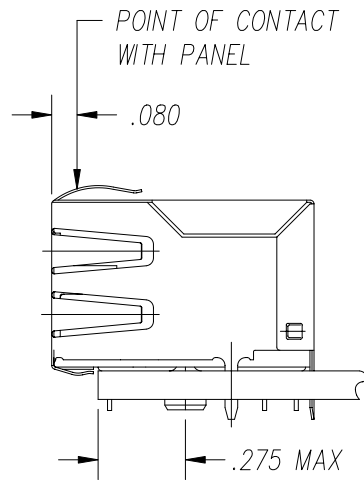
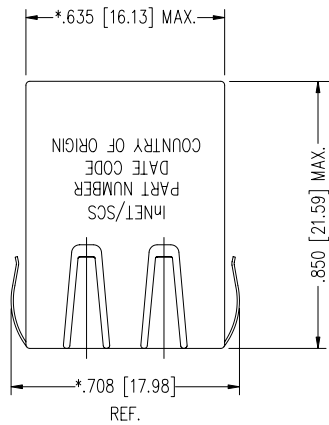
Stewart Connector Systems
<http://www.stewartconnector.com>

SHEET
2 OF 4

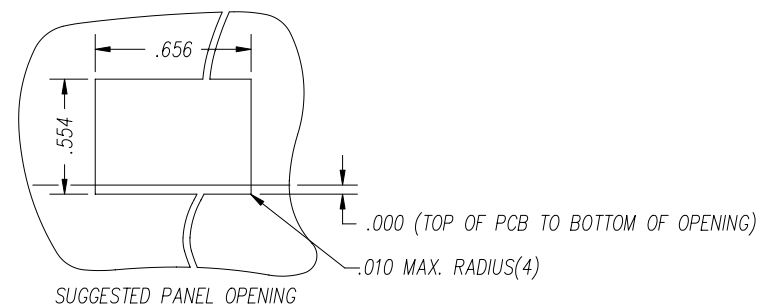
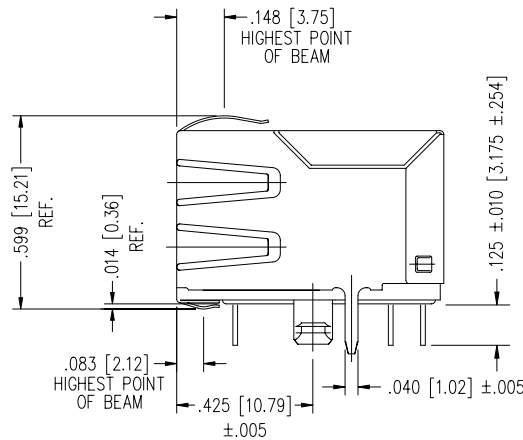
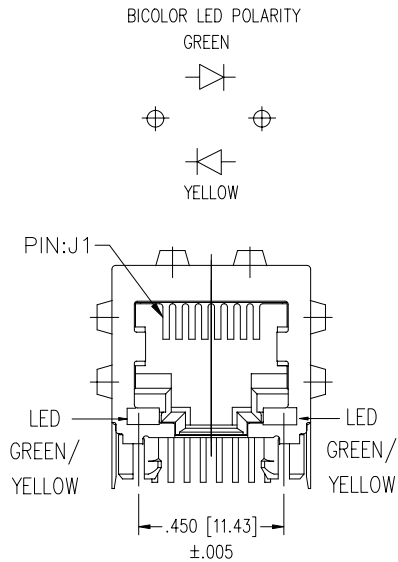
DRAWING NO.

SI-41002

REV. X



P.C.B. RECOMMENDED HOLE LAYOUT
SEEN FROM COMPONENT SIDE
TOLERANCE $\pm .003$ [0.08] UNLESS OTHERWISE SPECIFIED



- NOTES:
- TOLERANCES COMPLY WITH F.C.C. DIMENSION REQUIREMENTS
 - DIMENSIONS SHOWN WITH "*" TO BE CENTRAL ABOUT CENTER LINE
 - DIMENSIONS SHOWN ARE SUBJECT TO CHANGE WITHOUT NOTICE.
 - PIN NOT ELECTRICALLY CONNECTED MAYBE OMITTED. SEE ELECTRICAL DRAWING FOR OMITTED PINS.
 - STANDARD 50 MICRO-INCH SELECTIVE GOLD PLATING.

LED SPECIFICATIONS

	YELLOW	GREEN
- COLOR:	YELLOW	GREEN
- FORWARD VOLTAGE(20mA) :	2.5v (MAX)	2.5v (MAX)
- FORWARD VOLTAGE(20mA) :	2.1v (TYP)	2.2v (TYP)
- POWER DISSIPATION :	105mW	105mW
- WAVE LENGTH:	590nm	565nm
- LUMINOUS INTENSITY (10mA) :	2-8 MCD	8-32 MCD

InNet Technologies, Inc.
<http://www.innet-tech.com>

Stewart Connector Stewart Connector Systems
<http://www.stewartconnector.com>

SHEET 3 OF 4 DRAWING NO. SI-41002 REV. 02