

1. Absolute maximum ratings

Item	Parameter	Specifications					remarks
#		Symbol	Min	Typ	Max	Unit	
1	DC Supply Voltage	V _{BATT}	-0.5		6.0	V	No operation
2	DC Supply Current	I _{BATT}			2.4	A	
3	Power Control Voltage	V _{RAMP}	-0.5		3.0	V	
4	Transmit_Enable	TX_EN	-0.5		3.0	V	
5	Band Select	BS	-0.5		3.0	V	
6	Input RF Power	P _{IN}			13	dBm	
7	DC Voltage on RFin ports				4.0	V	
7	Operating Duty Cycle	δ			50	%	Frame Length = 4.6ms
8	Operating Temperature	T _A	-30		85	°C	
9	Storage Temperature	T _S	-55		155	°C	

Note: The amplifier will survive over the full range specified for any individual input, while other parameters are nominal and with no RF input.

2. Operating Parameters

Item	Parameter	Specifications					remarks
#		Symbol	Min	Typ	Max	Unit	
1	Supply Voltage	V _{BATT}	3.0	3.5	4.5	V	Normal operation
2	Supply current	I _{BATT off}			10	μA	TX_EN = low
3	Analog Power Control Voltage Current Input capacitance Rise time	V _{RAMP} I _{RAMP}	0.2		1.7 10 20 2	V A pF μs	V _{RAMP_MAX} = 1.7V V _{RAMP} from 0.2V to V _{RAMP_MAX} , P _{OUT} from P _{OUT_MIN} to P _{OUT_MAX}
4	Transmit Enable TX_EN on TX_EN off Current	TX_EN	1.8 0		3.0 0.5 10	V V μA	Logic High: PA on Logic Low: PA off
5	Band Select High Low Current	BS	1.8 0		3.0 0.5 10	V V μA	Logic High: DCS/PCS Logic Low: GSM850/900

3. GSM850 Electrical Characteristics

Conditions unless otherwise stated: $T_A=25^{\circ}\text{C}$, $Z_S=Z_L=50\Omega$; $V_{\text{BATT}}=3.5\text{V}$; BS=low; TX_EN=high; $P_{\text{IN}}=5\text{dBm}$,
Duty Cycle = 25%, Pulse Width = 1154 μs , $V_{\text{RAMP}}=V_{\text{RAMP_MAX}}$

Item #	Parameter	Specifications					remarks
		Symbol	Min	Typ	Max	Unit	
1	Frequency range	$f_{\text{MIN}}\dots f_{\text{MA}}$	824		849	MHz	
2	Input power	P_{IN}	2	5	8	dBm	
3	Input impedance			50		Ω	TX_EN = low or high $0.2\text{V} \leq V_{\text{RAMP}} \leq V_{\text{RAMP_MAX}}$
	Input VSWR			1.5:1	2.5:1		
4	Load impedance			50		Ω	
5	Load mismatch stability All angles All spurious < -36 dBm, RBW=3MHz	VSWR	8:1				Set V_{RAMP} where $P_{\text{OUT}} \leq 34.2\text{dBm}$ into 50 Ohm load
6	Load mismatch ruggedness All angles No damage or permanent degradation	VSWR	10:1				Set V_{RAMP} where $P_{\text{OUT}} \leq 34.2\text{dBm}$ into 50 Ohm load
7	Forward isolation			-40	-30	dBm	TX_EN = low, $P_{\text{IN}} = 8\text{dBm}$
8	Crossover isolation 2nd harmonic			-25	-20	dBm	Measured @ high band port $P_{\text{OUT}} \leq P_{\text{OUT_MAX}}$ @ low band port
9	Harmonics						$P_{\text{OUT}} \leq 34.2\text{dBm}$
	2nd harmonic			-20	-10	dBm	
	3rd harmonic			-20	-15	dBm	
	4th ... 8th harmonic				-5	dBm	
10	Maximum output power $824\text{ MHz} \leq f \leq 849\text{ MHz}$	$P_{\text{OUT_MAX}}$	34.2	35		dBm	Nominal conditions
			32.5			dBm	$V_{\text{BATT}} = 3.0\text{V}$, $T_A = 85^{\circ}\text{C}$
11	Minimum output power	$P_{\text{OUT_MIN}}$			0	dBm	TX_EN=High, $V_{\text{RAMP}}=0.2\text{V}$, $P_{\text{IN}}=8\text{dBm}$
12	Power added efficiency	PAE	45	53		%	$P_{\text{OUT}} = P_{\text{OUT_MAX}}$
13	Power supply current	I_{BAT}	1.3	1.8	2.3	A	DC current at $P_{\text{OUT}} = P_{\text{OUT_MAX}}$
14	Output noise power, BW=100kHz 869 MHz... 894 MHz			-85	-82	dBm	$P_{\text{OUT}} = P_{\text{OUT_MAX}}$ $f_0 = 849\text{ MHz}$
15	Slope $P_{\text{OUT}}/V_{\text{RAMP}}$				250	dB/V	$P_{\text{OUT}} > 0\text{dBm}$

4. GSM900 Electrical Characteristics

Conditions unless otherwise stated: $T_A=25^\circ\text{C}$, $Z_S=Z_L=50\Omega$; $V_{BATT}=3.5\text{V}$; BS=low; TX_EN=high; $P_{IN}=5\text{dBm}$,
Duty Cycle = 25%, Pulse Width = 1154 μs , $V_{RAMP}=V_{RAMP_MAX}$

Item #	Parameter	Specifications					remarks
		Symbol	Min	Typ	Max	Unit	
1	Frequency range	$f_{MIN} \dots f_{MA}$	880		915	MHz	
2	Input power	P_{IN}	2	5	8	dBm	
3	Input impedance			50		Ω	TX_EN = low or high $0.2\text{V} \leq V_{RAMP} \leq V_{RAMP_MAX}$
	Input VSWR			1.5:1	2.5:1		
4	Load impedance			50		Ω	
5	Load mismatch stability All angles All spurious < -36 dBm, RBW=3MHz	VSWR	8:1				Set V_{RAMP} where $P_{OUT} \leq 34.2\text{dBm}$ into 50 Ohm load
6	Load mismatch ruggedness All angles No damage or permanent degradation	VSWR	10:1				Set V_{RAMP} where $P_{OUT} \leq 34.2\text{dBm}$ into 50 Ohm load
7	Forward isolation			-40	-30	dBm	TX_EN = low, $P_{IN} = 8\text{dBm}$
8	Crossover isolation 2nd harmonic			-25	-20	dBm	Measured @ high band port $P_{OUT} \leq P_{OUT_MAX}$ @ low band port
9	Harmonics						$P_{OUT} \leq 34.2\text{dBm}$
	2nd harmonic			-20	-10	dBm	
	3rd harmonic			-20	-15	dBm	
	4th ... 8th harmonic				-5	dBm	
10	Maximum output power 880 MHz $\leq f \leq$ 915 MHz	P_{OUT_MAX}	34.2	35		dBm	Nominal conditions
			32.5			dBm	$V_{BATT} = 3.0\text{V}$, $T_A = 85^\circ\text{C}$
11	Minimum output power	P_{OUT_MIN}			0	dBm	TX_EN=High, $V_{RAMP}=0.2\text{V}$, $P_{IN}=8\text{dBm}$
12	Power added efficiency	PAE	50	58		%	$P_{OUT} = P_{OUT_MAX}$
13	Power supply current	I_{BAT}	1.2	1.7	2.3	A	DC current at $P_{OUT} = P_{OUT_MAX}$
14	Output noise power, BW=100kHz 925 MHz ... 935 MHz 935 MHz ... 960 MHz			-80	-72	dBm	$P_{OUT} = P_{OUT_MAX}$ $f_0 = 915\text{ MHz}$
				-85	-82	dBm	$f_0 = 915\text{ MHz}$
15	Slope P_{OUT}/V_{RAMP}				250	dB/V	$P_{OUT} > 0\text{dBm}$

5. DCS Electrical Characteristics

Conditions unless otherwise stated: $T_A=25^\circ\text{C}$, $Z_S=Z_L=50\Omega$; $V_{\text{BATT}}=3.5\text{V}$; BS=high; TX_EN=high; $P_{\text{IN}}=5\text{dBm}$,
Duty Cycle = 25%, Pulse Width = 1154 μs , $V_{\text{RAMP}}=V_{\text{RAMP_MAX}}$

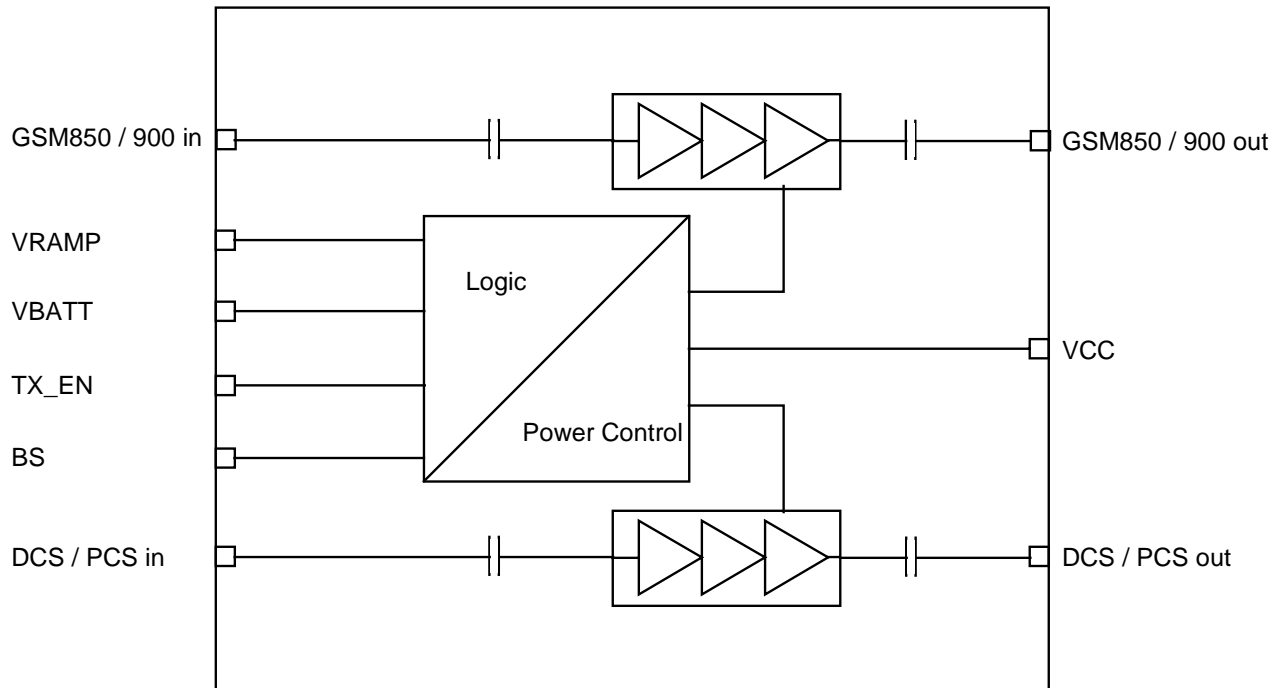
Item	Parameter	Specifications					remarks
#		Symbol	Min	Typ	Max	Unit	
1	Frequency range	$f_{\text{MIN}}\dots f_{\text{MA}}$	1710		1785	MHz	
2	Input power	P_{IN}	2	5	8	dBm	
3	Input impedance			50		Ω	TX_EN = low or high
	Input VSWR			1.5:1	2.5:1		$0.2\text{V} \leq V_{\text{RAMP}} \leq V_{\text{RAMP_MAX}}$
4	Load impedance			50		Ω	
5	Load mismatch stability All angles All spurious < -36 dBm, RBW=3MHz	VSWR	8:1				Set V_{RAMP} where $P_{\text{out}} \leq 32$ dBm into 50 Ohm load
6	Load mismatch ruggedness All angles No damage or permanent degradation	VSWR	10:1				Set V_{RAMP} where $P_{\text{out}} \leq 32$ dBm into 50 Ohm load
7	Forward isolation			-35	-30	dBm	TX_EN = low, $P_{\text{IN}} = 8\text{dBm}$
8	Harmonics						$P_{\text{OUT}} \leq 32\text{dBm}$
	2nd harmonic			-20	-10	dBm	
	3rd harmonic			-25	-15	dBm	
	4th ... 8th harmonic				-5	dBm	
9	Maximum output power	$P_{\text{OUT_MAX}}$	32	33		dBm	Nominal conditions
			30.5				dBm
10	Minimum output power	$P_{\text{OUT_MIN}}$			-5	dBm	TX_EN=High, $V_{\text{RAMP}}=0.2\text{V}$, $P_{\text{IN}} = 8\text{dBm}$
11	Power added efficiency	PAE	43	50		%	$P_{\text{OUT}} = P_{\text{OUT_MAX}}$
12	Power supply current	I_{BAT}	0.8	1.3	1.5	A	DC current at $P_{\text{OUT}} = P_{\text{OUT_MAX}}$
13	Output noise power, BW=100kHz 1805 MHz ... 1880 MHz			-83	-77	dBm	$P_{\text{OUT}} = P_{\text{OUT_MAX}}$ $f_0 = 1785\text{MHz}$
14	Slope $P_{\text{OUT}}/V_{\text{RAMP}}$				290	dB/V	$P_{\text{OUT}} > -5\text{dBm}$

6. PCS Electrical Characteristics

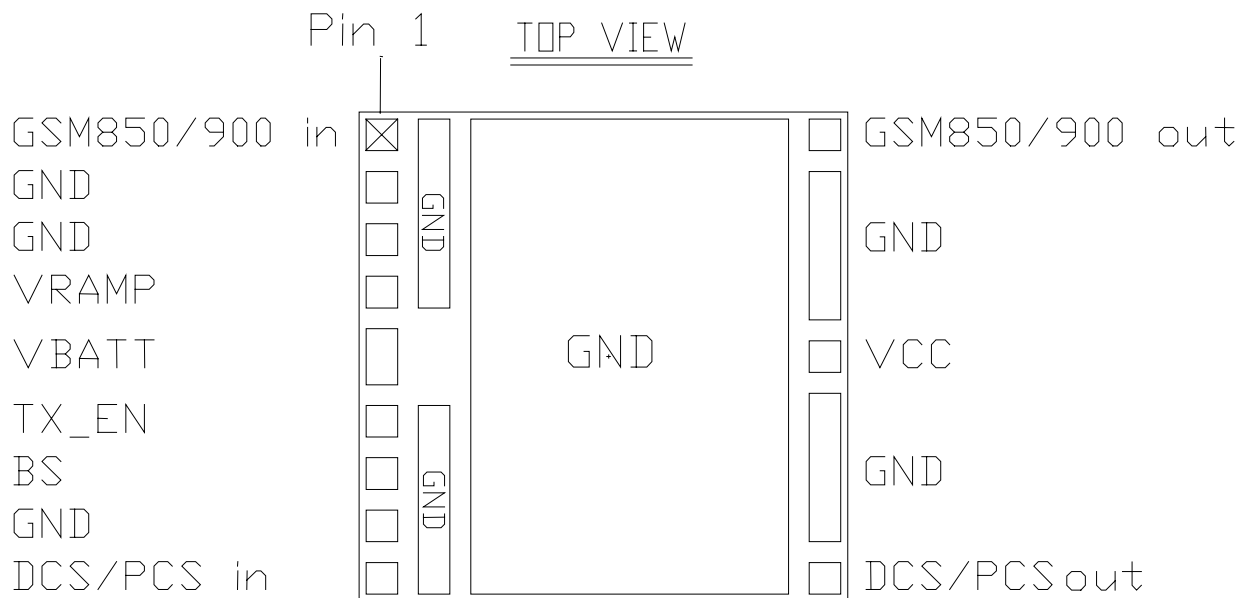
Conditions unless otherwise stated: $T_A=25^\circ\text{C}$, $Z_S=Z_L=50\Omega$; $V_{\text{BATT}}=3.5\text{V}$; BS=high; TX_EN=high; $P_{\text{IN}}=5\text{dBm}$,
Duty Cycle = 25%, Pulse Width = 1154 μs , $V_{\text{RAMP}}=V_{\text{RAMP_MAX}}$

Item	Parameter	Specifications					remarks
#		Symbol	Min	Typ	Max	Unit	
1	Frequency range	$f_{\text{MIN}}\dots f_{\text{MA}}$	1850		1910	MHz	
2	Input power	P_{in}	2	5	8	dBm	
3	Input impedance			50		Ω	TX_EN = low or high
	Input VSWR			1.5:1	2.5:1		$0.2\text{V} \leq V_{\text{RAMP}} \leq V_{\text{RAMP_MAX}}$
4	Load impedance			50		Ω	
5	Load mismatch stability All angles All spurious < -36 dBm, RBW=3MHz	VSWR	8:1				Set V_{RAMP} where $P_{\text{out}} \leq 32\text{ dBm}$ into 50 Ohm load
6	Load mismatch ruggedness All angles No damage or permanent degradation	VSWR	10:1				Set V_{RAMP} where $P_{\text{out}} \leq 32\text{ dBm}$ into 50 Ohm load
7	Forward isolation			-35	-30	dBm	TX_EN = low, $P_{\text{IN}} = 8\text{dBm}$
8	Harmonics						$P_{\text{OUT}} \leq 32\text{dBm}$
	2nd harmonic			-20	-10	dBm	
	3rd harmonic			-25	-15	dBm	
	4th ... 8th harmonic				-5	dBm	
9	Maximum output power	$P_{\text{OUT_MAX}}$	32	33		dBm	Nominal conditions
			30			dBm	$V_{\text{BATT}} = 3.0\text{V}$, $T_A = 85^\circ\text{C}$
10	Minimum output power	$P_{\text{OUT_MIN}}$			-5	dBm	TX_EN=High, $V_{\text{RAMP}}=0.2\text{V}$, $P_{\text{IN}} = 8\text{dBm}$
11	Power added efficiency	PAE	43	50		%	$P_{\text{OUT}} = P_{\text{OUT_MAX}}$
12	Power supply current	I_{BAT}	0.75	1.2	1.5	A	DC current at $P_{\text{OUT}} = P_{\text{OUT_MAX}}$
13	Output noise power, BW=100kHz 1930 MHz ... 1990 MHz			-83	-77	dBm	$P_{\text{OUT}} = P_{\text{OUT_MAX}}$ $f_0 = 1910\text{MHz}$
14	Slope $P_{\text{OUT}}/V_{\text{RAMP}}$				290	dB/V	$P_{\text{OUT}} > -5\text{dBm}$

7. Block Diagram

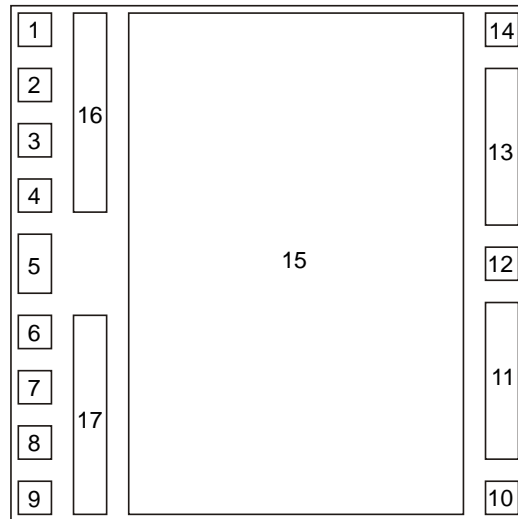


8. Pin Out



9. Pinning

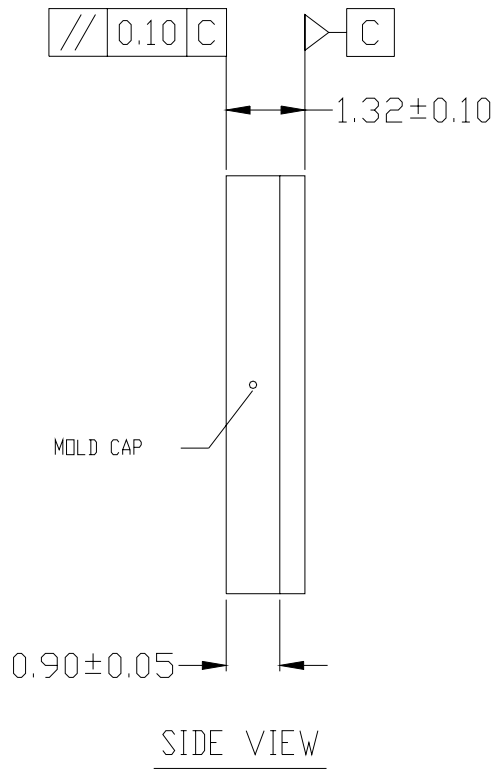
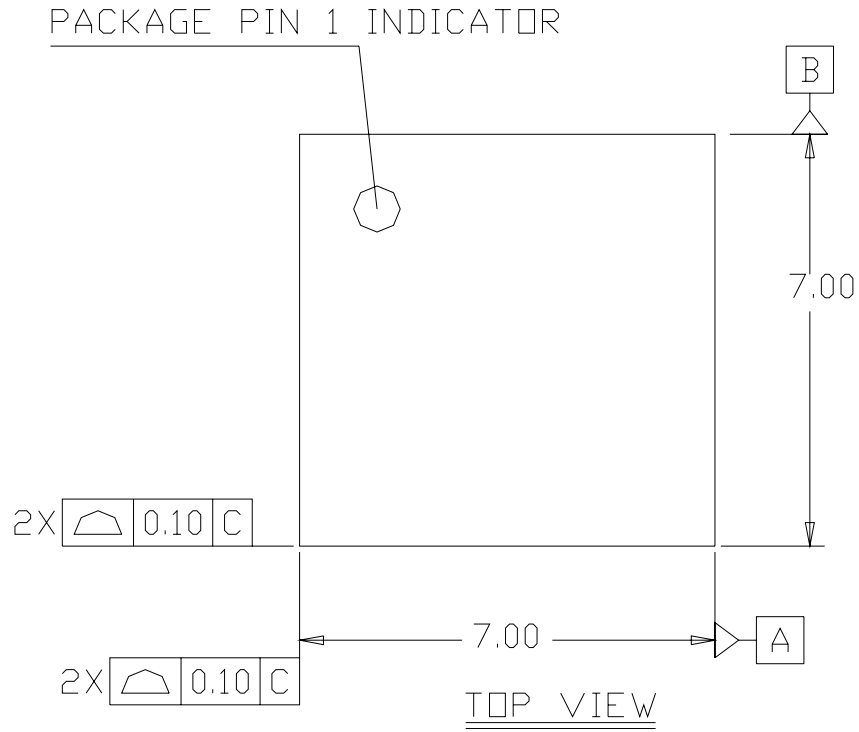
TQM7M4022 Footprint
Top View

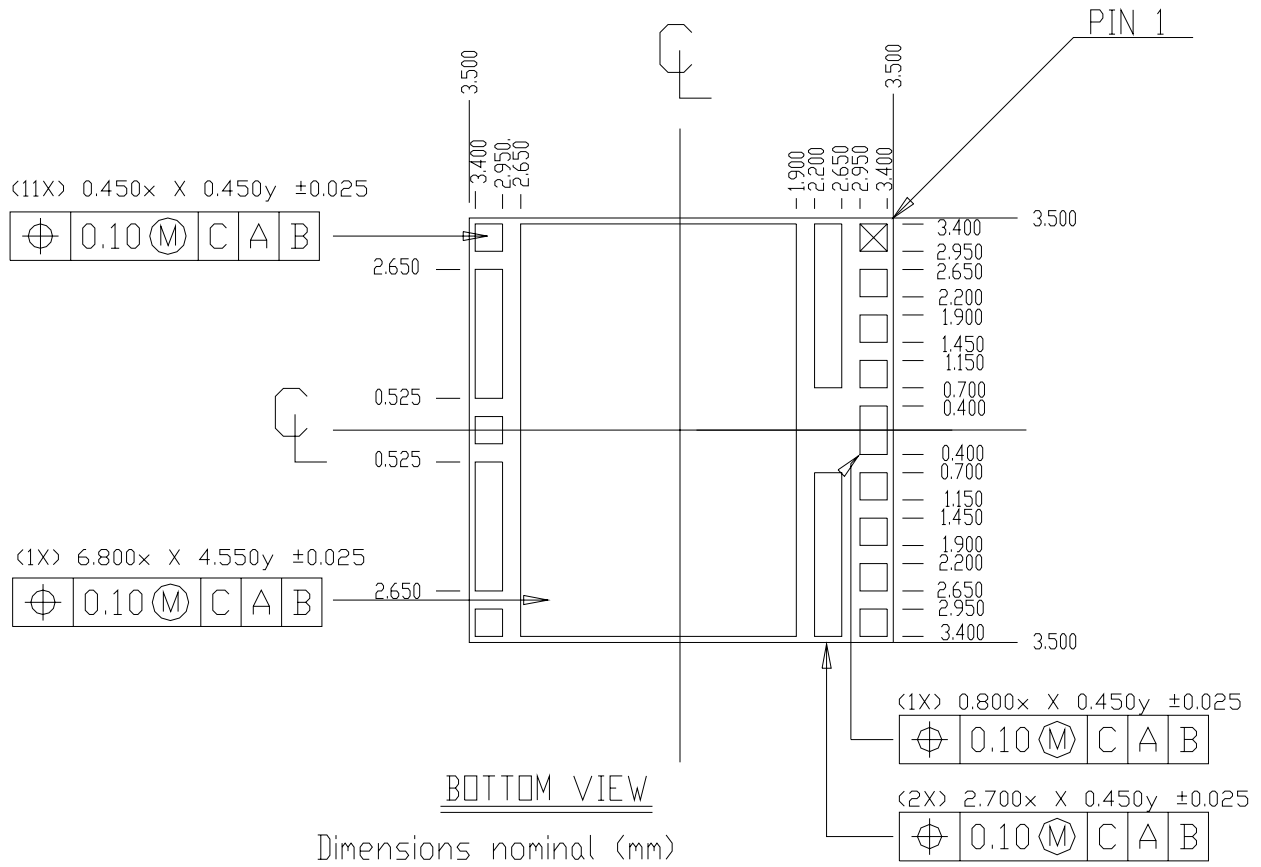


Pin #	Description	Function
1	GSM850 / 900 in	GSM850 / GSM900 RF input
2	GND	Ground
3	GND	Ground
4	VRAMP	DAC Control Signal for output power setting, nominal 0.2 .. 1.7 V
5	VBATT	Battery supply voltage, typ. 3.0 – 4.5 V, nom. 1.6A
6	TX_EN	Digital Transmit Enable Signal. When activated (TX_EN = high), all bands of the PA will be enabled for operation.
7	BS	Band Select Pin (Low -> GSM850/GSM900 mode active; High -> DCS/PCS mode active)
8	GND	Ground
9	DCS / PCS in	DCS/PCS RF input
10	DCS / PCS out	DCS / PCS RF output
11	GND	Ground
12	VCC	Internal Voltage
13	GND	Ground
14	GSM850 / 900 out	GSM850 / GSM900 RF output
15, 16, 17	GND	Ground

10. Package Outline

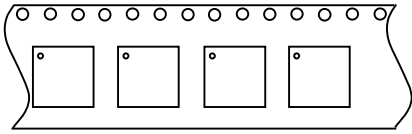
(all dimensions in mm):





11 Tape and Reel Information

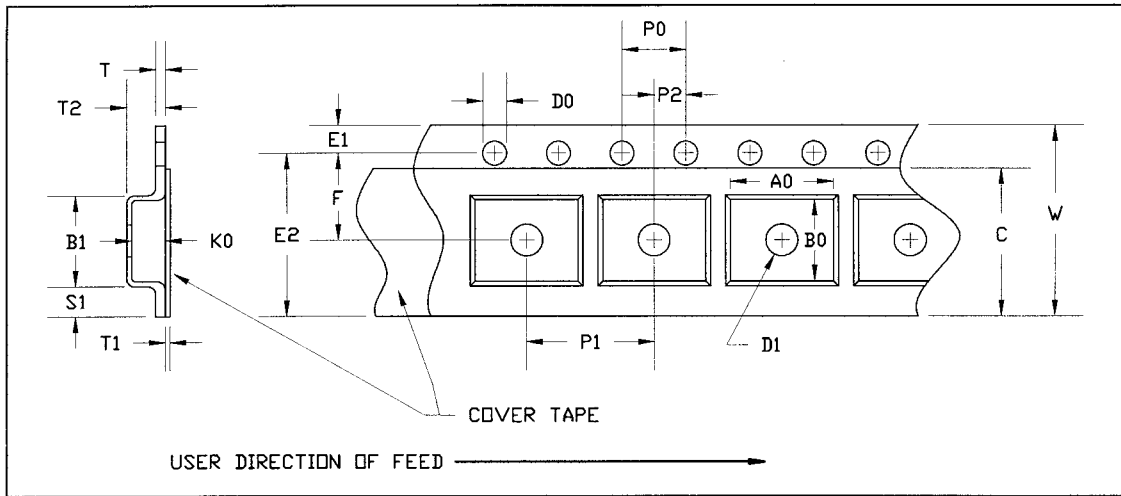
Module Orientation



MODULE 7X7

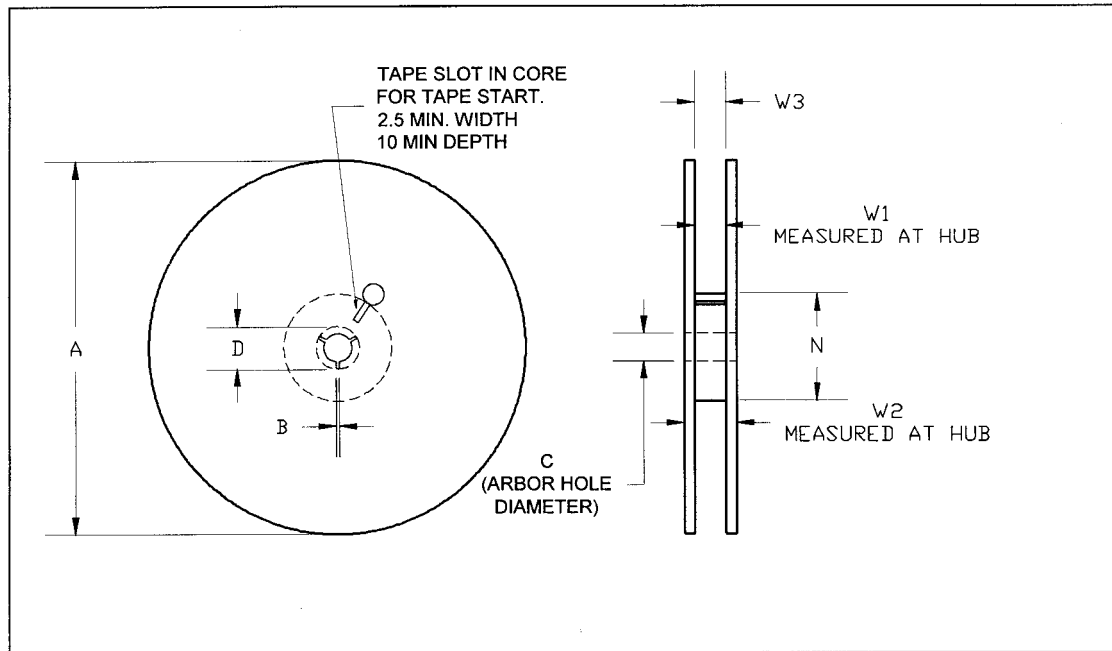
User Direction of Feed →

Carrier and Cover Tape Physical Dimensions



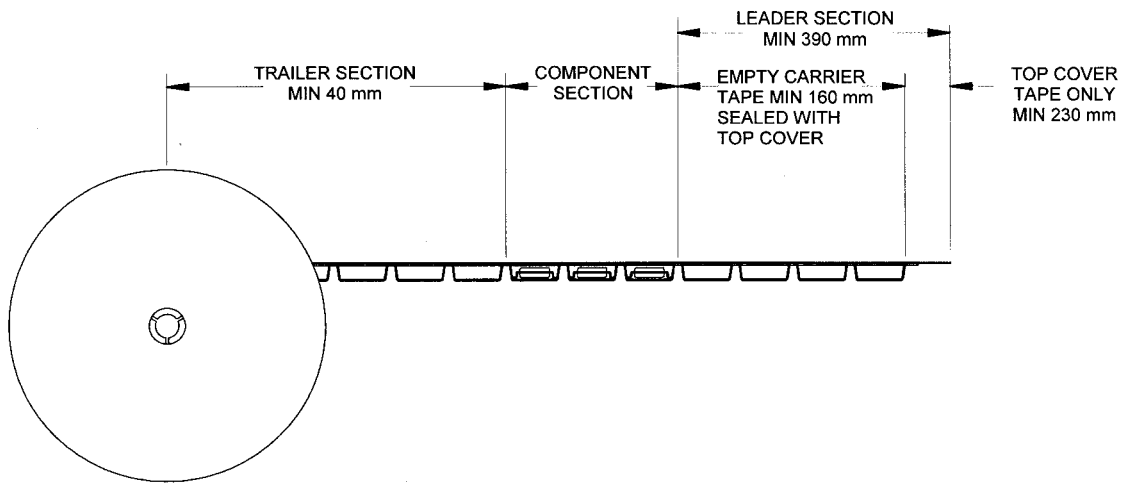
PART	FEATURE	SYMBOL	SIZE (in)	SIZE (mm)
CAVITY	BOTTOM HOLE DIAMETER	D1	0.059	1.50
PERFORATION	DIAMETER	D0	0.059	1.50
	PITCH	P0	0.157	4.00
	POSITION	E1	0.069	1.75
CARRIER TAPE	THICKNESS	T	0.012	0.30
COVER TAPE	THICKNESS	T1	0.002	0.056
CAVITY	LENGTH	A0	0.291	7.4
	WIDTH	B0	0.291	7.4
	DEPTH	K0	0.079	2.0
	PITCH	P1	0.472	12.00
DISTANCE BETWEEN CENTERLINE	CAVITY TO PERFORATION LENGTH DIRECTION	P2	0.079	2.00
	CAVITY TO PERFORATION WIDTH DIRECTION	F	0.295	7.50
COVER TAPE	WIDTH	C	0.524	13.30
CARRIER TAPE	WIDTH	W	0.630	16.00

Reel Physical dimensions



PART	FEATURE	SYMBOL	SIZE (in)	SIZE (mm)
FLANGE	DIAMETER	A	12.992	330.0
	THICKNESS	W2	0.874	22.2
	SPACE BETWEEN FLANGE	W1	0.661	16.8
HUB	OUTER DIAMETER	N	4.016	102.0
	ARBOR HOLE DIAMETER	C	0.512	13.0
	KEY SLIT WIDTH	B	0.079	2.0
	KEY SLIT DIAMETER	D	0.787	20.0

Completed Tape and Reel Assembly



Product label, Mfg Label and ESD label are placed on the flange opposite to the sprockets in the carrier tape

