



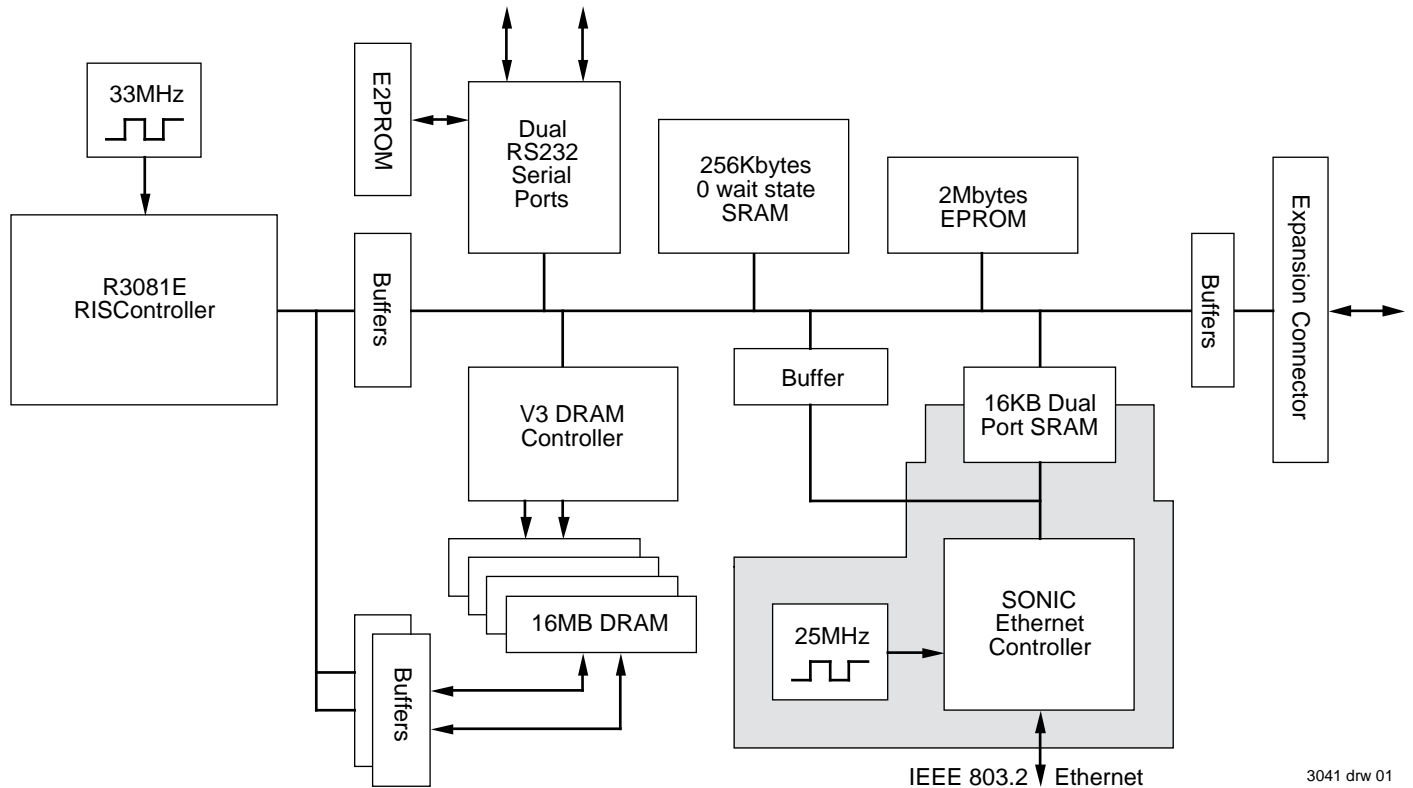
FEATURES:

- Complete 33MHz RISC System Board
- Supports R3081™, R3052™, R3051™, R3041™ CPUs
- Includes:
 - R3081 CPU, with R3041, R3051 and R3071 samples
 - 2MB interleaved DRAM, expandable to 4MB, 8MB, or 16MB
 - 256KB zero-wait-state SRAM
 - 512KB of EPROM expandable to 1MB or 2MB
 - 1024-bit serial EEPROM
 - 2 serial ports
 - IEEE 802.3 Ethernet subsystem with 8KB dual-port SRAM expandable to 16KB
 - Expansion connector

DESCRIPTION:

IDT's R3081 Evaluation Kit is a complete evaluation and development kit for IDT's R3051 family of RISControllers™. Designed to demonstrate the optimal performance of these RISControllers, zero-wait state memories allow one to see the true performance of IDT's R3041, R3051/2, and R3081 devices. For those developing large segments of code, the IEEE ethernet interface allows for quick downloading of large code blocks. The system supports up to 16MBytes of DRAM. On top of the system board with an on-board monitor, IDT's System Integration Manager (IDT/sim™), the complete package includes IDT's IDT/c compiler (IDT/c™), samples of our R3041, R3051 and R3071 devices, and a complete documentation package including a user's guide, board schematics, and PAL equations.

FUNCTIONAL BLOCK DIAGRAM



The IDT logo is a registered trademark and R3041, R3051, R3052, R3071, R3081, R4400, R4600, IDT/kit, IDT/sim, RISController, and RISCORE are trademarks of Integrated Device Technology, Inc.

ORDERING INFORMATION

Each kit is shipped with an evaluation board, complete schematics and PLA equations, as well as a complete software development toolchain for "C" language programming, downloading code, and operating the Software Integration Manager.

Evaluation Board

R3081 Evaluation Kit.....79S381