

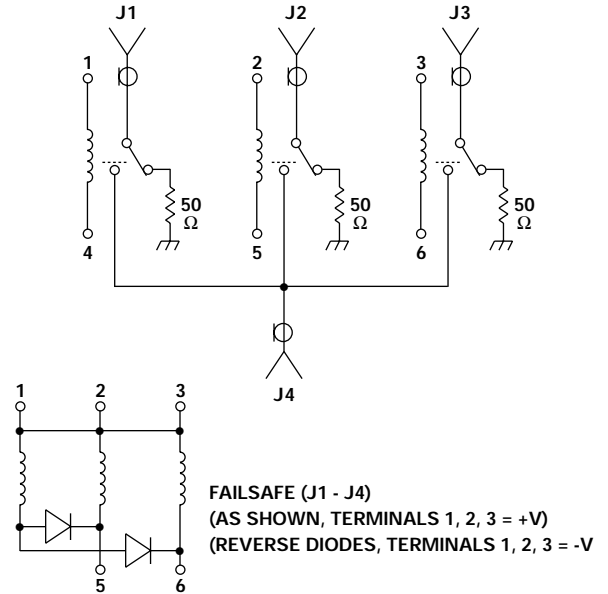
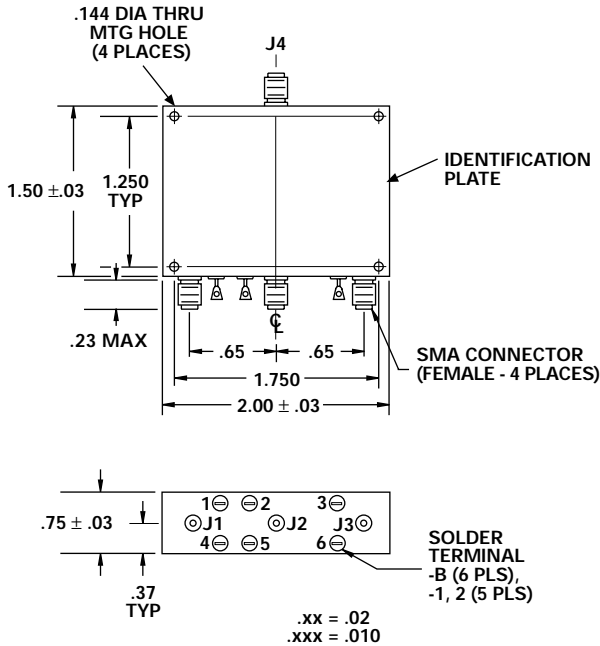
## FEATURES

- DC - 150 MHz
- 0.35 dB Insertion Loss
- 100 dB Isolation
- Non-Reflective
- SMA Connectors



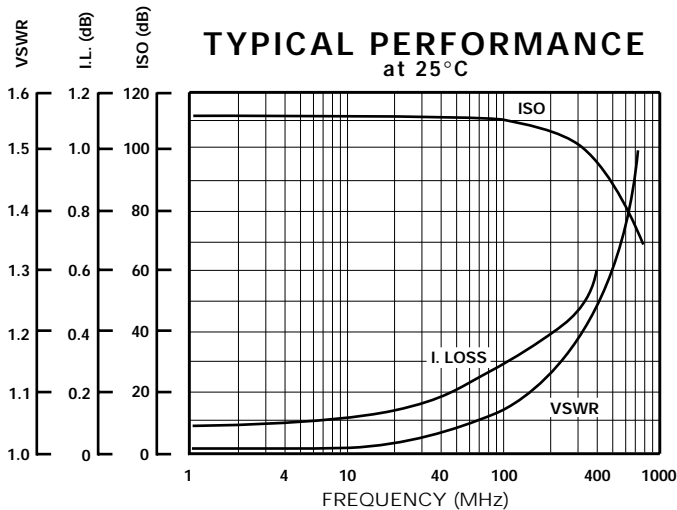
MODEL NO.  
100C0285

## SP3T Relay



## GUARANTEED PERFORMANCE

Parameter	Min	Typ	Max	Units	Conditions
Operating Frequency	DC		150	MHz	
DC Voltage					See Table
Insertion Loss		0.35	0.5	dB	
Isolation	100	108		dB	
VSWR	Thru	1.1/1	1.4/1		
Impedance		50		OHMS	
Switching Speed			3	mSEC	
RF Power	Operate		2.5	W	CW
Operating Temperature	-55	+25	+85	°C	TA



CONTROL VOLTAGE TABLE	
Voltage	Current - Typical
6	130 mA Per Throw
12	64 mA Per Throw
18	42 mA Per Throw
26	34 mA Per Throw

PART NO. EXAMPLE - See Table

100C0285 - 1 - 6

Part Number

-1 (Failsafe Neg Logic)  
-2 (Failsafe Pos Logic)  
-B (Basic Standard if not Specified)

Specify Coil Voltage, (26 V Standard if not Specified)