

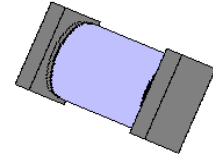
Voidless-Hermetically-Sealed Surface Mount Unidirectional Transient

DESCRIPTION

This surface mount series of industry recognized voidless-hermetically-sealed Unidirectional Transient Voltage Suppressor (TVS) designs is military qualified to MIL-PRF-19500/551 and are ideal for high-reliability applications where a failure cannot be tolerated. They provide a Working Peak "Standoff" Voltage selection from 5.0 to 51.6 Volts with 500 W ratings. They are very robust in hard-glass construction and also use an internal metallurgical bond identified as Category I for high reliability applications. The 500 W series is military qualified to MIL-PRF-19500/551. These devices are also available in axial-leaded packages for thru-hole mounting by deleting the "US" suffix (see separate data sheet for 1N6461 thru 1N6468). Microsemi also offers numerous other TVS products to meet higher and lower peak pulse power and voltage ratings in both through-hole and surface-mount packages.

APPEARANCE

Package "E"
(or "D-5B")



IMPORTANT: For the most current data, consult MICROSEMI's website: <http://www.microsemi.com>

FEATURES

- High surge current and peak pulse power provides transient voltage protection for sensitive circuits
- Triple-layer passivation
- Internal "Category I" metallurgical bonds
- Voidless hermetically sealed glass package
- JAN/TX/TXV military qualifications available per MIL-PRF-19500/551 by adding JAN, JANTX, or JANTXV prefix
- Further options for screening in accordance with MIL-PRF-19500 for JANS by using a "MSP" prefix, e.g. MSP6462, MSP6468, etc.
- Axial-leaded equivalents are also available in a square-end-cap MELF configuration (see separate data sheet for 1N6461 thru 1N6168)

APPLICATIONS / BENEFITS

- Military and other high reliability transient protection
- Extremely robust construction
- Working Peak "Standoff" Voltage (V_{WM}) from 5.0 to 51.6 V
- Available as 500 W Peak Pulse Power (P_{PP})
- ESD and EFT protection per IEC61000-4-2 and IEC61000-4-4 respectively
- Secondary lightning protection per select levels in IEC61000-4-5
- Square-end-cap terminals for easy placement
- Nonsensitive to ESD per MIL-STD-750 Method 1020
- Inherently radiation hard as described in Microsemi MicroNote 050

MAXIMUM RATINGS

- Operating & Storage Temperature: -55°C to $+175^{\circ}\text{C}$
- Peak Pulse Power at 25°C : 500 Watts @ 10/1000 μs (also see Figures 1,2 and 4)
- Impulse repetition rate (duty factor): 0.01%
- Forward Surge Current: 80 Amps@ 8.33 ms one-half sine wave
- Forward Voltage: 1.5 V @ 1 Amp dc and 4.8 V at 100 Amps (pulsed)
- Steady-State Power: 2.5 Watts @ $T_A = 25^{\circ}\text{C}$ (see note below and Figure 4)
- Thermal Resistance Junction to End Cap: 20°C/W
- Solder Temperatures: 260°C for 10 s (maximum)

MECHANICAL AND PACKAGING

- CASE: Hermetically sealed voidless hard glass with Tungsten slugs
- TERMINATIONS: End caps are solid silver with Tin/Lead (Sn/Pb) finish
- MARKING: None
- POLARITY: Cathode band
- Tape & Reel option: Standard per EIA-481-B
- Weight: 539 mg
- See package dimensions on last page

NOTE: Steady-state power ratings with reference to ambient are for PC boards where thermal resistance from mounting point to ambient is sufficiently controlled where $T_{J(MAX)}$ is not exceeded.



ELECTRICAL CHARACTERISTICS

TYPE	BREAK DOWN VOLTAGE V(BR) MIN.	BREAKDOWN CURRENT I(BR)	WORKING PEAK VOLTAGE V _{WM}	MAX LEAKAGE CURRENT I _D	MAXIMUM CLAMPING VOLTAGE V _C @ 10/1000 μs	MAXIMUM PEAK PULSE CURRENT I _{PP}		MAXIMUM TEMP. COEF. OF V(BR)
						@8/20 μs	@10/1000 μs	
	Volts	mAdc	Vdc	μAdc	V(pk)	A(pk)	A(pk)	%/°C
1N6461US	5.6	25	5	3000	9.0	315	56	-.03, +0.04
1N6462US	6.5	20	6	2500	11.0	258	46	0.06
1N6463US	13.6	5	12	500	22.6	125	22	0.085
1N6464US	16.4	5	15	500	26.5	107	19	0.085
1N6465US	27.0	2	24	50	41.4	69	12	.096
1N6466US	33.0	1	30.5	3	47.5	63	11	.098
1N6467US	43.7	1	40.3	2	63.5	45	8	.101
1N6468US	54.0	1	51.6	2	78.5	35	6	.103

SYMBOLS & DEFINITIONS

Symbol	Definition
V _{BR}	Minimum Breakdown Voltage: The minimum voltage the device will exhibit at a specified current.
V _{WM}	Working Peak Voltage: The maximum peak voltage that can be applied over the operating temperature range. This is also referred to as Standoff Voltage.
I _D	Maximum Standoff Current: The maximum current that will flow at the specified voltage and temperature.
V _C	Maximum clamping voltage at specified I _{PP} (Peak Pulse Current) at the specified pulse conditions.
P _{PP}	Peak Pulse Power: The peak power dissipation resulting from the peak impulse current I _{PP} .

GRAPHS

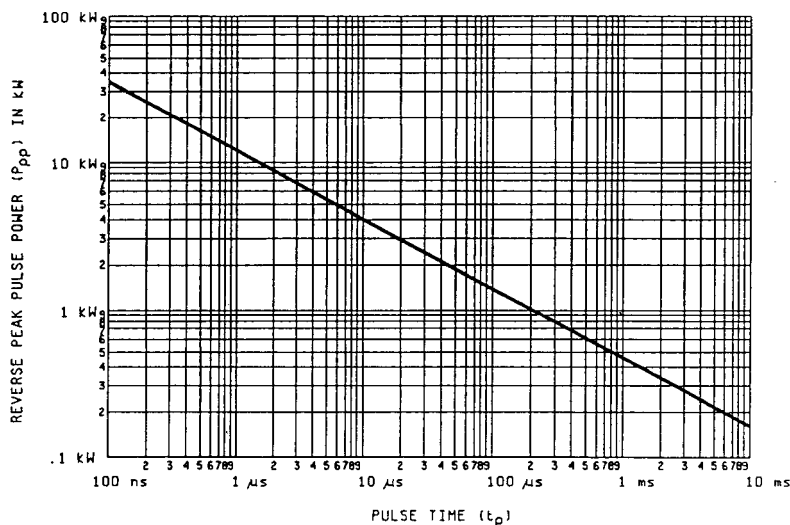


FIGURE 1
PEAK PULSE POWER vs. PULSE TIME

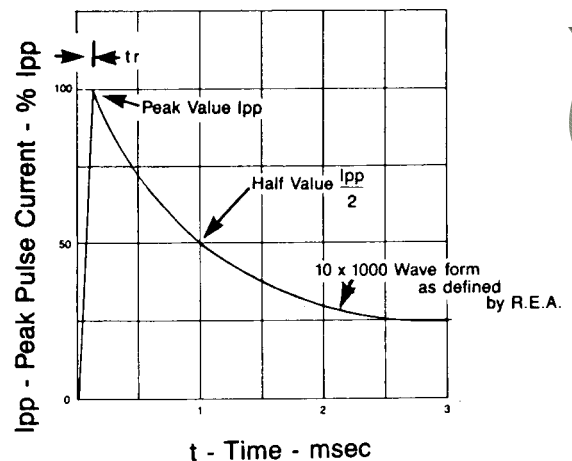


FIGURE 2
10/1000 μs CURRENT IMPULSE WAVEFORM

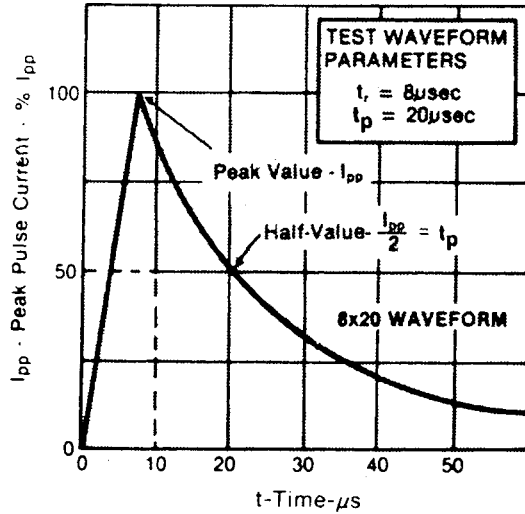


FIGURE 3
8/20 μs CURRENT IMPULSE WAVEFORM
(per MIL-PRF-19500/551)

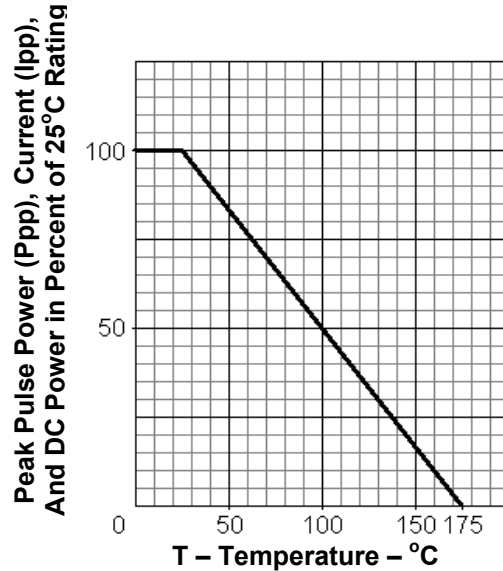
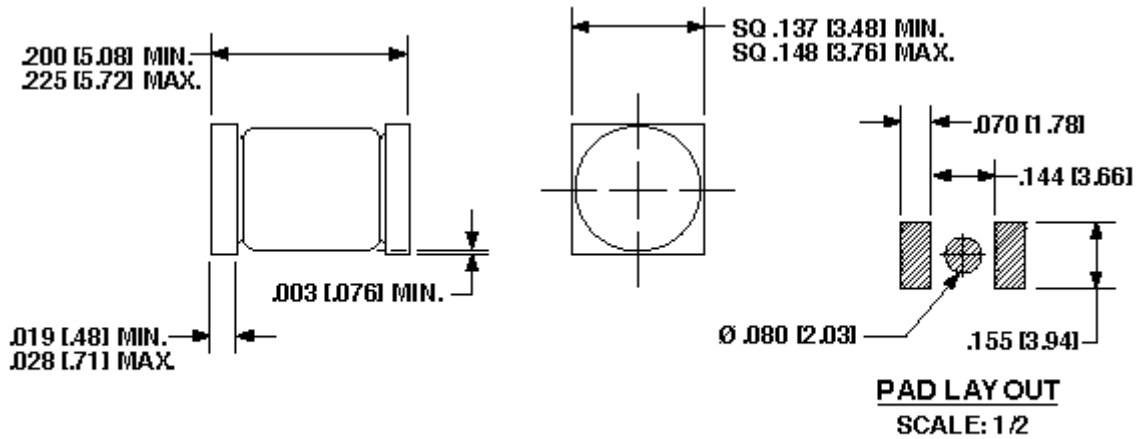


FIGURE 4
DERATING CURVE

PACKAGE DIMENSIONS Inches [mm]



NOTE: DIMENSIONS IN INCHES [MM]

E-MELF-PKG (D-5B)

Note: If mounting requires adhesive separate from the solder, an additional 0.080 inch diameter contact may be placed in the center between the pads as an optional spot for cement as shown in the pad layout.

