

# ISDN MAGNETICS

## Dual S Interface Transformers

TM9938

- Low profile 0.175" package
- Compatible with PC card applications
- Minimum interwinding breakdown voltage of 1500 Vrms
- Qualified per Bellcore TR-TSY-000357-1
- UL and CSA approved

### ELECTRICAL SPECIFICATIONS at 25° C

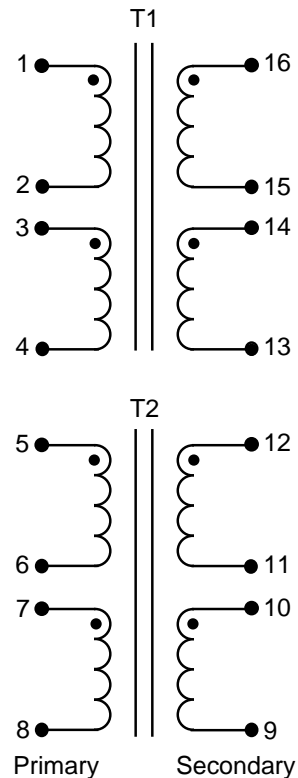
Part Number	Turns Ratio ± 2%	Primary Inductance* mH min	Leakage Inductance µH max	DCR Ω max		Interwinding Capacitance pF max	Distributed Parallel Capacitance pF max
				Pri	Sec		
2800A	1.0 : 2.5	22.0	4.75	6.0	10.5	100	100
2800B	1.0 : 2.0	22.0	5.0	6.0	8.5	100	100
2800C	1.0 : 2.0	22.0	3.75	6.0	8.5	100	100
2800D	1.0 : 2.0	22.0	2.50	6.0	8.5	100	100
2800E	1.0 : 1.0	22.0	5.00	6.0	6.0	100	100

\* Measured at 10 kHz, 0.5 Vac

Part Number	Compatible Transceiver ICs	
	IC Manufacturer	IC Part Number
2800A	Lucent	T7250C T7256 T7234
2800B	Lucent	T7901 T7903
2800C	Siemens	PEB2081 PEB2085 PEB2086
	Mitel	MT8930
	National Semiconductor	TP3420 TP3421
	Alcatel	MTC-2072
2800D	AMD	79C30A 79C32A
2800E	Motorola	MC145474 MC145475

### SCHEMATIC

2800A  
2800B  
2800C  
2800D  
2800E

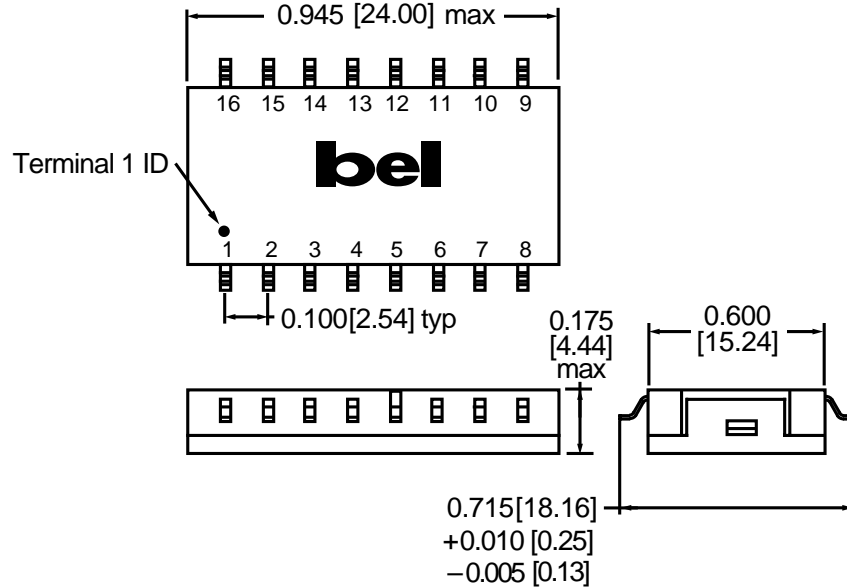


©1999 Bel Fuse Inc. Specifications subject to change without notice. 06.99

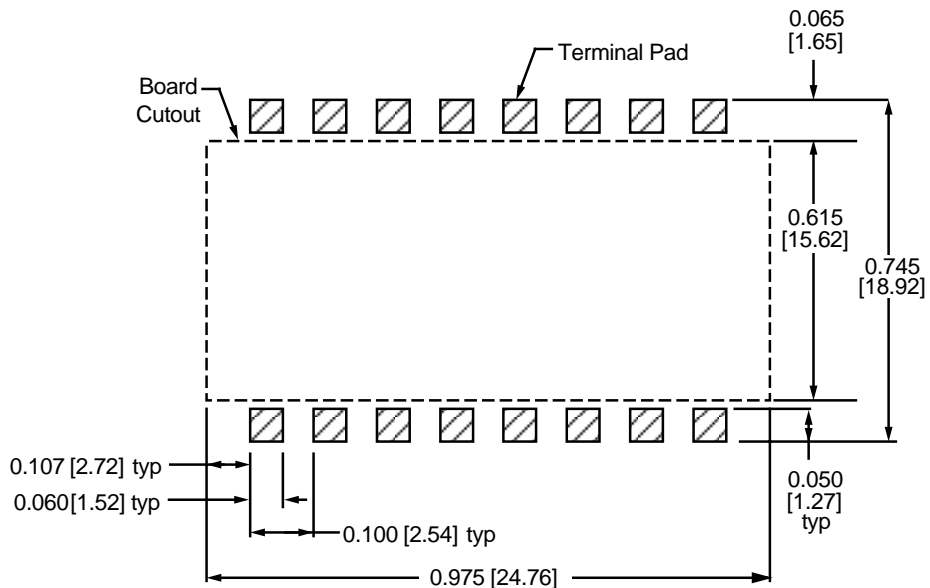
## ISDN MAGNETICS Dual S Interface Transformers

### MECHANICAL

2800A  
2800B  
2800C  
2800D  
2800E



Note: Unless otherwise specified, dimensions are nominal and in inches [millimeters].



Suggested PCB Pad Layout

©1999 Bel Fuse Inc. Specifications subject to change without notice. 06.99

#### CORPORATE

**Bel Fuse Inc.**  
198 Van Vorst Street  
Jersey City, NJ 07302  
Tel 201-432-0463  
Fax 201-432-9542  
www.belfuse.com

#### FAR EAST

**Bel Fuse Ltd.**  
8F / 8 Luk Hop Street  
San Po Kong  
Kowloon, Hong Kong  
Tel 852-2328-5515  
Fax 852-2352-3706  
www.belfuse.com

#### EUROPE

**Bel Fuse Europe Ltd.**  
Preston Technology Management Centre  
Marsh Lane, Suite F23, Preston  
Lancashire, PR1 8UD, U.K.  
Tel 44-1772-556601  
Fax 44-1772-888366  
www.belfuse.com