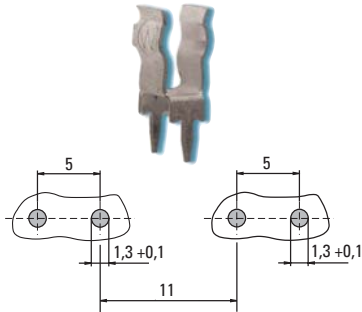
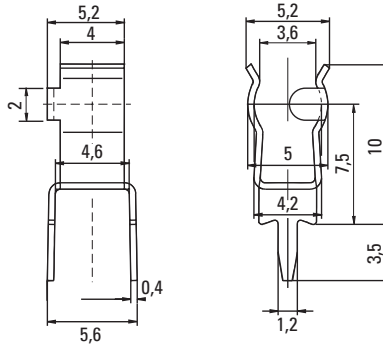


Clip / No. 520  
lead free



PC Mount, 5x20mm Fuses



Specifications

**Mounting**  
PC Board, 5mm pin spacing  
Solder pins 0.4 x 1.2mm

**Materials**  
Clip: Copper alloy  
Solderable, tinned

**Electrical Data (23°C)**  
Rated Voltage: 250V  
Max. Current/Power: 6.3A/2.5W

**Minimum Cross Section**  
Conducting path - 0.2mm<sup>2</sup>

**Solderability**  
235°C, 2 sec. (IEC 60068-2-20)

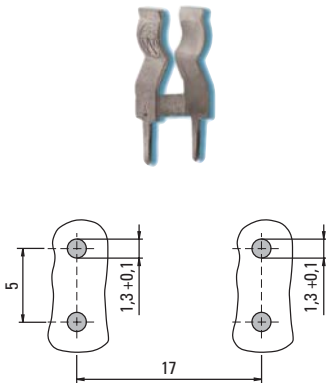
**Soldering Heat Resistance**  
260°C, 10 sec. (IEC 60068-2-20)

**Unit Weight**  
0.4g

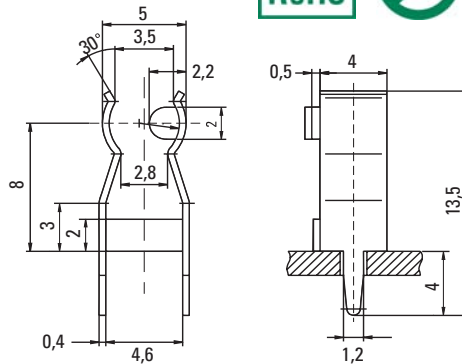
**Packaging**  
Bulk (5000 pcs.)

**Order Number**  
Clip No. 520 0000 100

Clip / No. 521  
lead free



PC Mount, 5x20mm Fuses  
90° Pin Shift



**Mounting**  
PC Board, 5mm pin spacing  
Solder pins 0.4 x 1.2mm

**Materials**  
Clip: Copper alloy  
Solderable, tinned

**Electrical Data (23°C)**  
Rated Voltage: 250V  
Max. Current/Power: 6.3A/2.5W

**Minimum Cross Section**  
Conducting path - 0.2mm<sup>2</sup>

**Solderability**  
235°C, 2 sec. (IEC 60068-2-20)

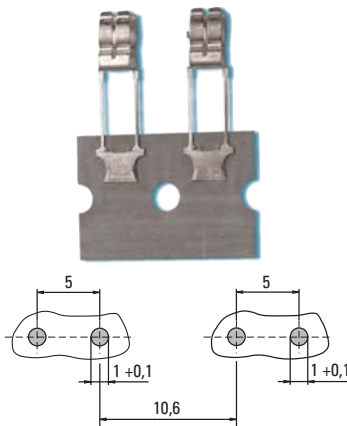
**Soldering Heat Resistance**  
260°C, 10 sec. (IEC 60068-2-20)

**Unit Weight**  
0.4g

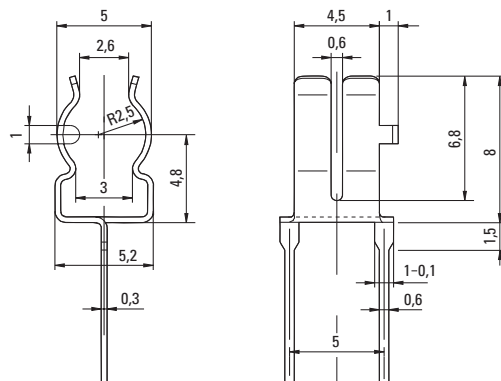
**Packaging**  
Bulk (5000 pcs.)

**Order Number**  
Clip No. 521 0000 100

Clip / No. 519  
lead free



PC Mount, 5x20mm Fuses  
Taped



**Mounting**  
PC Board, 5mm pin spacing  
Solder pins 0.3 x 0.5mm

**Materials**  
Clip: Copper alloy  
Solderable, tinned

**Electrical Data (23°C)**  
Rated Voltage: 250V  
Max. Current/Power: 2.5A/1W

**Minimum Cross Section**  
Conducting path - 0.2mm<sup>2</sup>

**Solderability**  
235°C, 2 sec. (IEC 60068-2-20)

**Soldering Heat Resistance**  
260°C, 10 sec. (IEC 60068-2-20)

**Unit Weight**  
0.5g

**Packaging**  
Tape/Reel (1000 pcs.)

**Order Number**  
Clip No. 519 0000 100

Note: 1.00 means the number one with two decimal places. 1.000 means the number one thousand.

Specifications are subject to change without notice.