



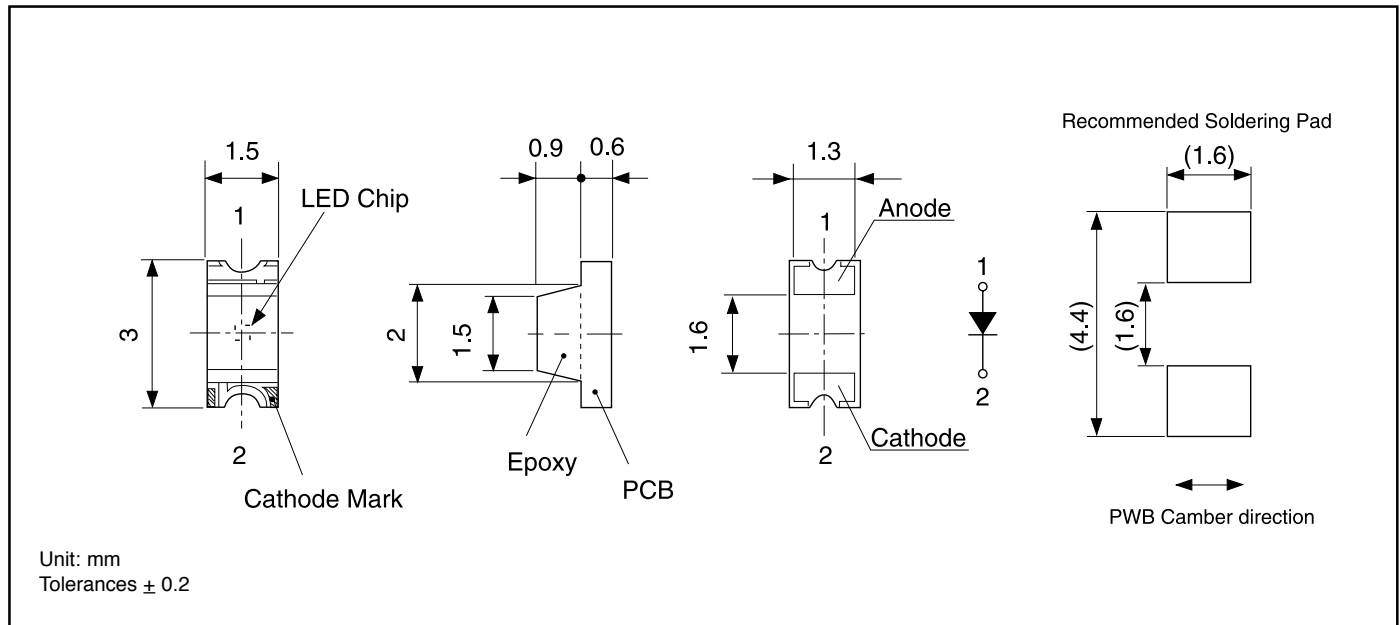
Features

- Flat lens type with a wide viewing angle of 150°
- Excellent for backlighting LCDs and indicators

Applications

- Computer / Telecommunications
- Industrial / Medical
- Audio visual equipment

Outline Dimensions



Electro-Optical Characteristics

(Ta=25°C)

Type No.	Material	Emitted Color	Lens Color	Luminous Intensity I_v			Wavelength				Forward Voltage V_f			Reverse Current I_R		Viewing Angle (2 θ 1/2)
				MIN.	TYP.	I_f	Peak λ_p TYP.	Dominant λ_d TYP.	Spectral Line Half Width $\Delta\lambda$ TYP.	I_f	TYP.	MAX.	I_f	MAX.	V_R	
BR1101W	GaAlAs	Red	Water Clear	4.4	12.8	20	660	647	30	20	1.7	2.0	20	100	4	150°
AA1101W	GaAsP	Orange		2.8	5.6	20	605	606	30	20	2.2	2.5	20	100	4	
AY1101W	GaAsP	Yellow		2.0	4.0	20	580	590	30	20	2.2	2.5	20	100	4	
PY1101W	GaP	Yellow Green		4.0	8.0	20	570	572	30	20	2.1	2.5	20	100	4	
PG1101W	GaP	Green		2.4	4.8	20	560	567	30	20	2.1	2.5	20	100	4	
BG1101W	GaP	Pure Green		0.7	2.0	20	555	558	30	20	2.1	2.5	20	100	4	
Units				mcd		mA	nm			mA	V	mA	μ A	V	Deg.	

