

Am79C983A

Integrated Multiport Repeater 2 (IMR2™)

DISTINCTIVE CHARACTERISTICS

- Repeater functionality compliant with IEEE 802.3 Repeater Unit specifications
- Hardware implementation of Management Information Base (MIB) with all of the counters, attributes, actions, and notifications specified by IEEE 802.3 Section 19 (*Layer Management*)
- Twelve pseudo AUI (PAUI™) ports to support multiple media types via direct connection to external transceivers
- One IEEE-compliant AUI port
- One reversible AUI (RAUI™) port that can be programmed as a second AUI port or used to connect directly to a media access controller (MAC)
- Direct interface with the AMD Am79C988A QuiET™ (Quad Integrated Ethernet Transceiver) to support 10BASE-T repeater designs
- Port switching support to allow individual ports to be switched between multiple Ethernet backplanes under software control
- Remote Monitoring (RMON) Register Bank to provide direct support for etherStatsEntry and etherStatsHistory object groups of the RMON MIB (IETF RFC1757)
- Packet Report Port to provide packet information for deriving objects in the Host, HostTopN, and Matrix groups of the RMON MIB (IETF RFC1578)
- Two user-selectable expansion bus modes: IMR/IMR+ compatible mode and asynchronous mode
- Simple 8-bit microprocessor interface
- Full LED support
- 132-pin PQFP CMOS device with a single 5-V supply

GENERAL DESCRIPTION

The Am79C983A Integrated Multiport Repeater 2 (IMR2) chip is a VLSI integrated circuit that provides a system-level solution to designing intelligent (managed) multiport repeaters. When the IMR2 device is combined with the Quad Integrated Ethernet Transceiver (QuiET) device, it provides a cost-effective solution to designing 10BASE-T managed repeaters. The IMR2 device integrates the repeater functions specified by Section 9 (*Repeater Unit*) and Section 19 (*Layer Management for 10 Mb/s Baseband Repeaters*) of the IEEE 802.3 standard.

The Am79C983A IMR2 device provides 1 standard Attachment Unit Interface (AUI) port, 12 Pseudo Attachment Unit Interface (PAUI) ports, and 1 Reversible AUI (RAUI) port for direct connection to a media access controller (MAC). The pseudo AUI ports can be connected to external transceivers to support multiple media types, including 10BASE2, 10BASE-T, and 10BASE-FL/FOIRL. The pseudo AUI ports can be turned off individually (without external circuitry) to allow the switching of transceiver

ports between IMR2 devices. This capability allows multiple IMR2 devices to be connected to a single set of transceivers, thus allowing straightforward implementations of port switching applications.

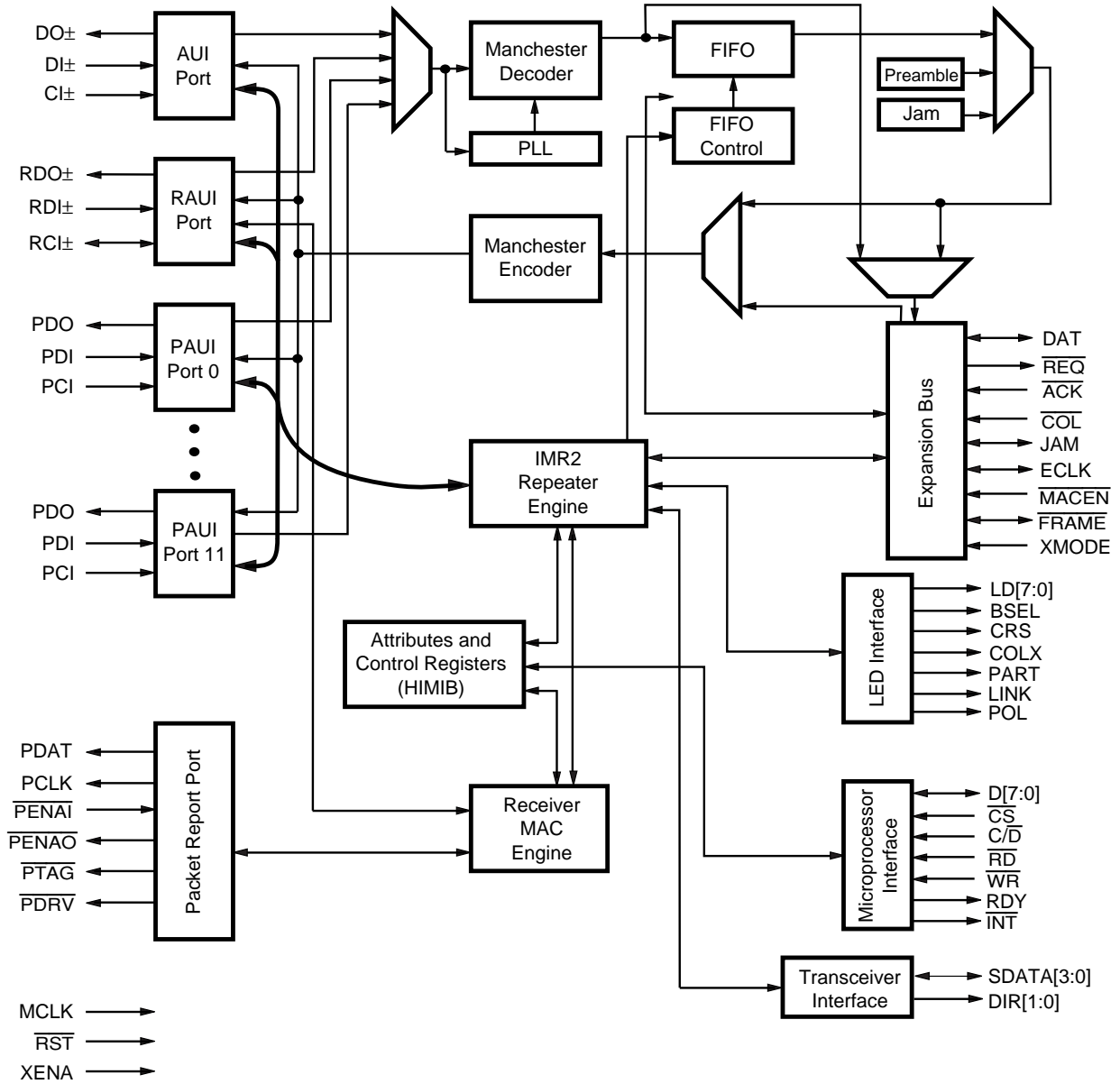
The IMR2 device also provides a Hardware Implemented Management Information Base (HIMIB™), which is a super set of the functions provided by the Am79C987 HIMIB device. All of the necessary counters, attributes, actions, and notifications specified by Section 19 of the IEEE 802.3 standard are included in the IMR2 device. To facilitate the design of managed repeaters, the IMR2 device implements a simple 8-bit microprocessor interface.

Support for an RMON MIB, as specified by the Internet Engineering Task Force (IETF) RFC 1757, is provided. Direct support is from an RMON Register Bank. Additional support is provided by the Packet Report Port, which supplies information that can be used in conjunction with a microprocessor to derive various RMON MIB attributes. With systems using multiple IMR2 de-

vices, the information is passed to a designated IMR2 device that transfers the information to a MAC.

For application examples on building fully-managed repeaters using the IMR2 and QuiET devices, refer to AMD's *IMR2 Technical Manual* (PID 19898A).

BLOCK DIAGRAM

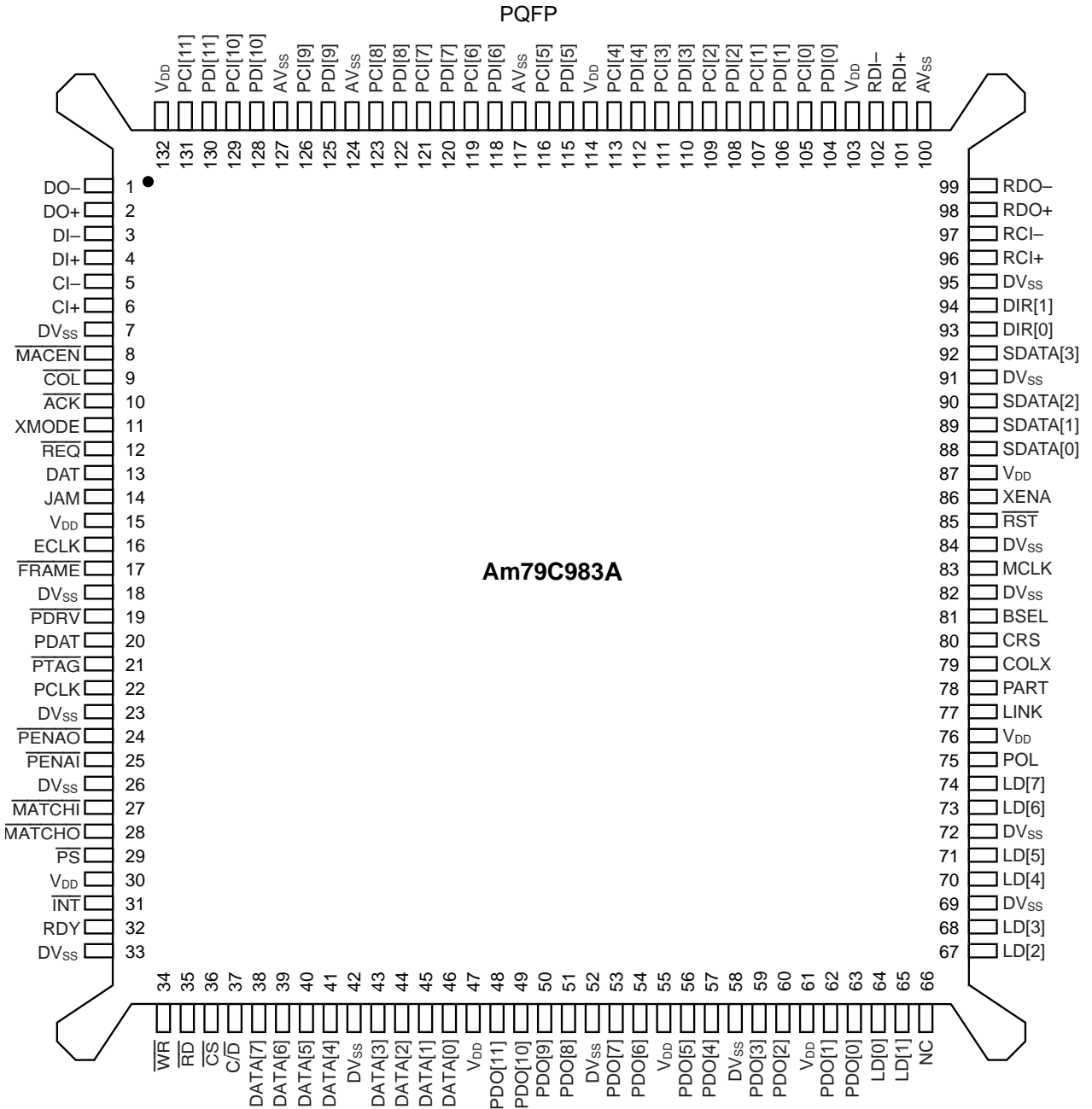


19879B-1

RELATED AMD PRODUCTS

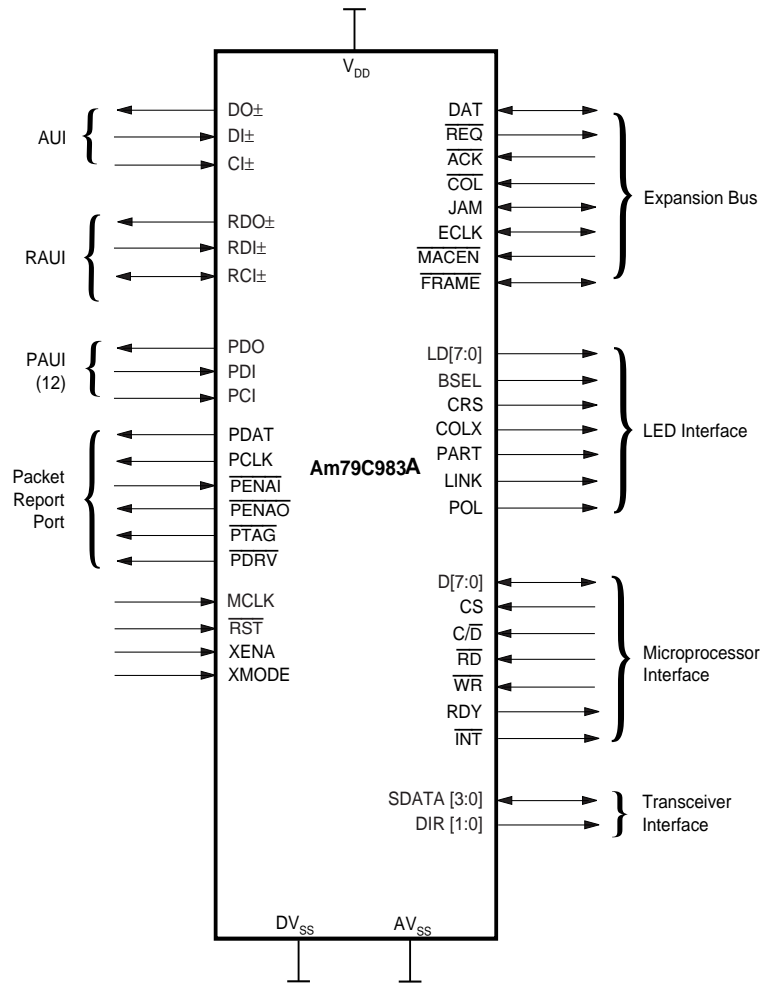
| Part No. | Description |
|-----------|---|
| Am79C981 | Integrated Multiport Repeater+ (IMR+™) |
| Am79C982 | basic Integrated Multiport Repeater (bIMR™) |
| Am79C987 | Hardware Implemented Management Information Base (HIMIB™) |
| Am79C988A | Quad Integrated Ethernet Transceiver (QuIET™) |
| Am7990 | Local Area Network Controller for Ethernet (LANCE) |
| Am7996 | IEEE 802.3/Ethernet/Cheapernet Transceiver |
| Am79C90 | CMOS Local Area Network Controller for Ethernet (C-LANCE) |
| Am79C98 | Twisted Pair Ethernet Transceiver (TPEX) |
| Am79C100 | Twisted Pair Ethernet Transceiver Plus (TPEX+) |
| Am79C900 | Integrated Local Area Communications Controller (ILACC™) |
| Am79C940 | Media Access Controller for Ethernet (MACE™) |
| Am79C960 | PCnet™-ISA Single-Chip Ethernet Controller (for ISA bus) |
| Am79C961 | PCnet™-ISA+ Single-Chip Ethernet Controller for ISA (with Microsoft® Plug n' Play® Support) |
| Am79C961A | PCnet™-ISA II Full Duplex Single-Chip Ethernet Controller for ISA |
| Am79C965 | PCnet™-32 Single-Chip 32-Bit Ethernet Controller |
| Am79C970 | PCnet™-PCI Single-Chip Ethernet Controller (for PCI bus) |
| Am79C970A | PCnet™-PCI II Full Duplex Single-Chip Ethernet Controller (for PCI bus) |
| Am79C974 | PCnet™-SCSI Combination Ethernet and SCSI Controller for PCI Systems |

CONNECTION DIAGRAM



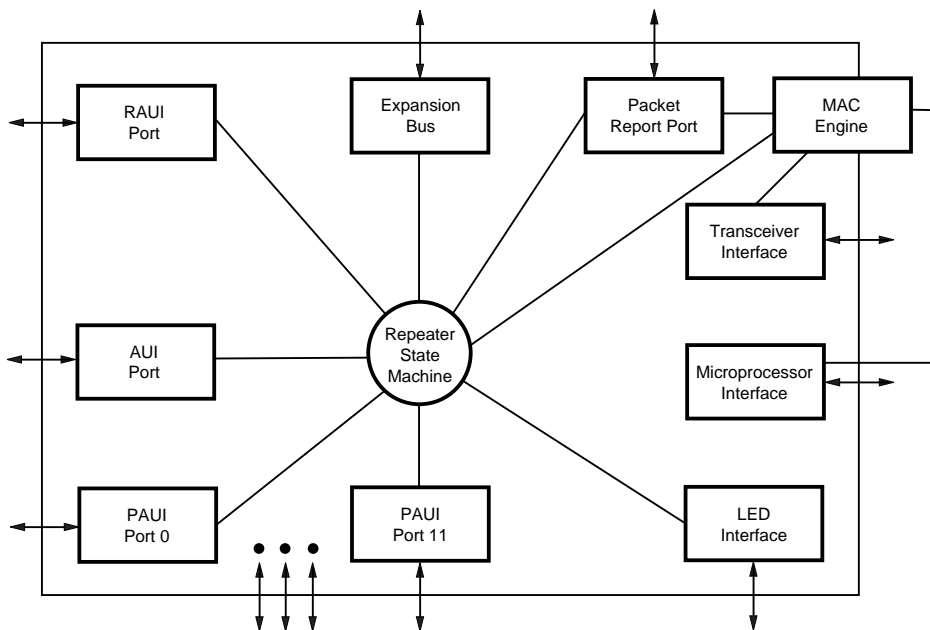
19879B-2

LOGIC SYMBOL



19879B-3

LOGIC DIAGRAM

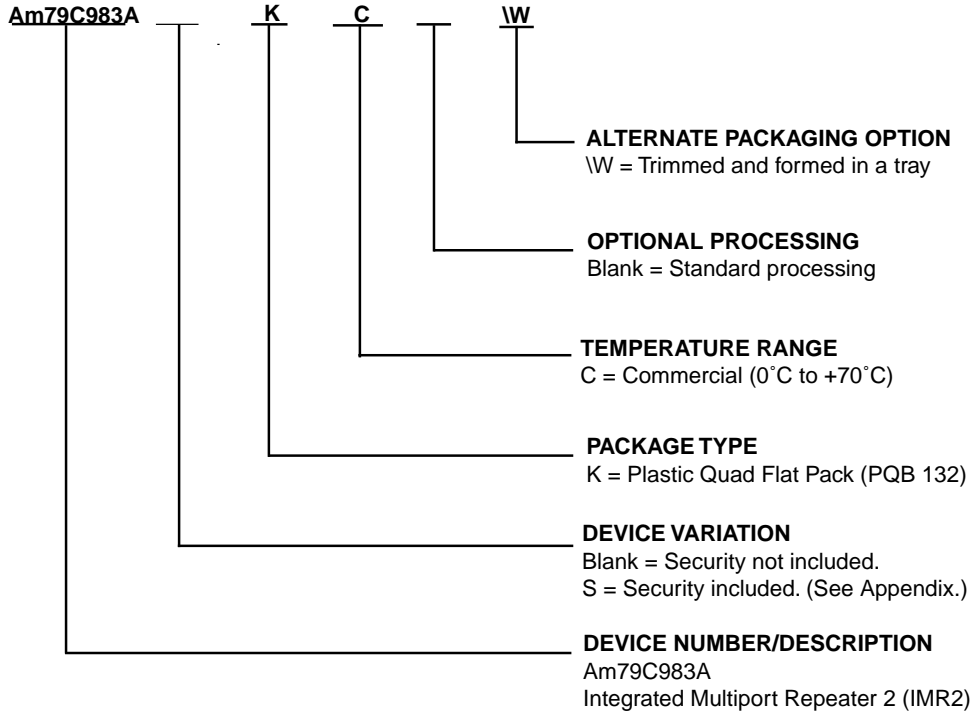


19879B-4

ORDERING INFORMATION

Standard Products

AMD standard products are available in several packages and operating ranges. The order number (Valid Combination) is formed by a combination of the elements below.



| Valid Combinations | |
|--------------------|---------|
| Am79C983A | KC, KCW |

Valid Combinations

Valid Combinations list configurations planned to be supported in volume for this device. Consult the local AMD sales office to confirm availability of specific valid combinations and to check on newly released combinations.

TABLE OF CONTENTS

| | |
|--|----|
| DISTINCTIVE CHARACTERISTICS | 1 |
| GENERAL DESCRIPTION..... | 1 |
| BLOCK DIAGRAM | 3 |
| RELATED AMD PRODUCTS..... | 4 |
| CONNECTION DIAGRAM | 5 |
| LOGIC SYMBOL..... | 6 |
| LOGIC DIAGRAM | 6 |
| ORDERING INFORMATION..... | 7 |
| Standard Products | 7 |
| PIN DESIGNATIONS..... | 12 |
| PIN DESCRIPTION..... | 13 |
| Pseudo AUI Pins..... | 13 |
| RAUI Port Pins..... | 13 |
| AUI Pins..... | 13 |
| Expansion Bus Pins | 13 |
| Packet Report Port..... | 14 |
| Microprocessor Interface | 15 |
| LED Interface | 15 |
| Miscellaneous Pins | 15 |
| Transceiver Device Interface | 15 |
| FUNCTIONAL DESCRIPTION..... | 17 |
| Overview | 17 |
| Basic Repeater Functions..... | 17 |
| Repeater Function | 17 |
| Signal Regeneration | 17 |
| Jabber Lockup Protection | 17 |
| Collision Handling | 17 |
| Fragment Extension | 17 |
| Auto Partitioning/Reconnection | 17 |
| Basic Management Functions..... | 18 |
| Repeater Management | 18 |
| RMON | 18 |
| Packet Reports | 18 |
| Detailed Functions | 22 |
| Reset | 22 |
| Hardware Reset | 22 |
| Software Reset | 22 |
| Expansion Bus | 22 |
| Synchronous Mode Operation | 23 |
| Asynchronous Mode Operation | 24 |
| Packet Statistics | 24 |
| Packet Report Port..... | 24 |
| RAUI Port..... | 25 |
| Error Packet Statistics | 26 |
| Transceiver Interface | 26 |
| PAUI Ports | 26 |
| QUIET Device Control and Status Data Interface | 26 |
| QUIET Device Control and Status Data Interface Operation | 26 |
| Control and Status for Non-QUIET Transceivers | 27 |
| Visual Status Monitoring (LED) Support..... | 27 |
| Using AUI/RAUI for 10BASE-T Ports | 28 |
| Intrusion Protection..... | 28 |
| Timer Values | 29 |

| | |
|--|----|
| Microprocessor Interface | 29 |
| Management Functions | 29 |
| Status Register | 30 |
| Register Bank 0: Repeater Registers | 30 |
| Source Address Match Register | 30 |
| Total Octets | 31 |
| Transmit Collisions | 31 |
| Configuration Register | 31 |
| Repeater Status | 31 |
| QULET Device Transceiver ID Register | 31 |
| Repeater Device and Revision Register | 32 |
| Device Configuration | 32 |
| Register Bank 1: Interrupts | 32 |
| Port Partition Status Change Interrupt | 32 |
| Runts with Good FCS Interrupt | 32 |
| Link Status Change Interrupt | 32 |
| Loopback Error Change Interrupt | 33 |
| Polarity Change Interrupt | 33 |
| SQE Test Error Change Interrupt | 33 |
| Source Address Changed Interrupt | 33 |
| Intruder Interrupt | 33 |
| Source Address Match Interrupt | 33 |
| Data Rate Mismatch Interrupt | 34 |
| Transceiver Interface Status | 34 |
| Transceiver Interface Change Interrupt | 34 |
| Jabber Interrupt | 34 |
| Register Bank 2: Interrupt Control Registers | 34 |
| Partition Status Change Interrupt Enable | 34 |
| Runts with Good FCS Interrupt Enable | 34 |
| Link Status Change Interrupt Enable | 35 |
| Loopback Error Change Interrupt Enable | 35 |
| Polarity Change Interrupt Enable | 35 |
| SQE Test Error Change Interrupt Enable | 35 |
| Source Address Changed Interrupt Enable | 35 |
| Intruder Interrupt Enable | 35 |
| Multicast Address Pass Enable | 36 |
| Data Rate Mismatch Interrupt Enable | 36 |
| Last Source Address Compare Enable | 36 |
| Preferred Address Compare Enable | 36 |
| Transceiver Interface Changed Interrupt Enable | 36 |
| Jabber Interrupt Enable | 36 |
| Register Bank 3: Port Control Registers | 37 |
| Alternative Reconnection Algorithm Enable | 37 |
| Link Test Enable | 37 |
| Link Pulse Transmit Enable | 37 |
| Automatic Receiver Polarity Reversal Enable | 37 |
| SQE Mask Enable | 37 |
| Port Enable/Disable | 37 |
| Port Switching Control | 37 |
| Extended Distance Enable | 38 |
| Automatic Last Source Address Intrusion Control | 38 |
| Automatic Preferred Source Address Intrusion Control | 38 |
| Last Source Address Lock Control | 38 |
| Register Bank 4: Port Status Registers | 39 |
| Partitioning Status of Ports | 39 |
| Link Test Status of Ports | 39 |
| Loopback Error Status | 39 |
| Receive Polarity Status | 39 |

| | |
|--|----|
| SQE Test Status | 39 |
| Register Bank 5: RMON Registers | 39 |
| etherStatsOctets | 39 |
| etherStatsPkts | 39 |
| etherStatsBroadcastPkts | 40 |
| etherStatsMulticastPkts | 40 |
| etherStatsCRCAAlignErrors | 40 |
| etherStatsUndersizePkts | 40 |
| etherStatsOversizePkts | 40 |
| etherStatsFragments | 40 |
| etherStatsJabbers | 40 |
| etherStatsCollisions | 40 |
| etherStats64Octets | 40 |
| etherStats65to127Octets | 40 |
| etherStats128to255Octets | 40 |
| etherStats256to511Octets | 40 |
| etherStats512to1023Octets | 40 |
| etherStats1024to1518Octets | 40 |
| Activity | 40 |
| Register Bank 7: Management Support | 40 |
| Device ID | 40 |
| Sample Error Status | 40 |
| Report Packet Size | 41 |
| STATS Control | 41 |
| Register Banks 16 through 30: Port Attribute Registers | 41 |
| Readable Frames | 42 |
| Readable Octets | 42 |
| Frame Check Sequence (FCS) Errors | 42 |
| Alignment Errors | 42 |
| Frames Too Long | 42 |
| Short Events | 43 |
| Runts | 43 |
| Collisions | 43 |
| Late Events | 43 |
| Very Long Events | 43 |
| Data Rate Mismatches | 43 |
| Auto Partitions | 44 |
| Source Address Changes | 44 |
| Readable Broadcast Frames | 44 |
| Last Source Address | 44 |
| Readable Multicast Frames | 44 |
| Preferred Source Address | 44 |
| SYSTEM APPLICATIONS | 45 |
| IMR2 to QuLET Connection | 45 |
| Other Media | 45 |
| MAC Interface | 45 |
| RAUI Port | 45 |
| PR Port Configuration | 45 |
| Port Switching | 48 |
| ABSOLUTE MAXIMUM RATINGS | 50 |
| OPERATING RANGES | 50 |
| DC CHARACTERISTICS over operating ranges unless otherwise specified | 50 |
| SWITCHING CHARACTERISTICS over operating ranges unless otherwise specified | 51 |
| KEY TO SWITCHING WAVEFORMS | 54 |
| SWITCHING WAVEFORMS | 54 |
| Master Clock (MCLK) Timing | 54 |

| | |
|--|----|
| Expansion Bus Asynchronous Clock (ECLK) Timing | 54 |
| Expansion Bus Input Timing - Synchronous Mode | 55 |
| Expansion Bus Output Timing - Synchronous Mode | 55 |
| Expansion Port Collision Timing - Synchronous Mode | 56 |
| Packet Report Port Timing..... | 56 |
| Expansion Port Input Timing - Asynchronous Mode..... | 56 |
| Expansion Port Output Timing - Asynchronous Mode..... | 57 |
| PAUI PDO Transmit..... | 57 |
| PAUI PCI Receive..... | 57 |
| PAUI Receive..... | 58 |
| (R)AUI Timing | 58 |
| (R)AUI Receive | 58 |
| Microprocessor Bus Interface Timing | 59 |
| PHYSICAL DIMENSIONS..... | 60 |

PIN DESIGNATIONS

Listed by Pin Number

| Pin No. | Pin Name | Pin No. | Pin Name | Pin No. | Pin Name | Pin No. | Pin Name |
|---------|---------------------|---------|------------------|---------|------------------|---------|-----------------|
| 1 | DO- | 34 | \overline{WR} | 67 | LD[2] | 100 | AVss |
| 2 | DO+ | 35 | \overline{RD} | 68 | LD[3] | 101 | RDI+ |
| 3 | DI- | 36 | \overline{CS} | 69 | DVss | 102 | RDI- |
| 4 | DI+ | 37 | C/\overline{D} | 70 | LD[4] | 103 | V _{DD} |
| 5 | CI- | 38 | D[7] | 71 | LD[5] | 104 | PDI[0] |
| 6 | CI+ | 39 | D[6] | 72 | DVss | 105 | PCI[0] |
| 7 | DVss | 40 | D[5] | 73 | LD[6] | 106 | PDI[1] |
| 8 | \overline{MACEN} | 41 | D[4] | 74 | LD[7] | 107 | PCI[1] |
| 9 | \overline{COL} | 42 | DVss | 75 | POL | 108 | PDI[2] |
| 10 | \overline{ACK} | 43 | D[3] | 76 | V _{DD} | 109 | PCI[2] |
| 11 | XMODE | 44 | D[2] | 77 | LINK | 110 | PDI[3] |
| 12 | \overline{REQ} | 45 | D[1] | 78 | PART | 111 | PCI[3] |
| 13 | DAT | 46 | D[0] | 79 | COLX | 112 | PDI[4] |
| 14 | JAM | 47 | V _{DD} | 80 | CRS | 113 | PCI[4] |
| 15 | V _{DD} | 48 | PDO[11] | 81 | BSEL | 114 | V _{DD} |
| 16 | ECLK | 49 | PDO[10] | 82 | DVss | 115 | PDI[5] |
| 17 | \overline{FRAME} | 50 | PDO[9] | 83 | MCLK | 116 | PCI[5] |
| 18 | DVss | 51 | PDO[8] | 84 | DVss | 117 | AVss |
| 19 | \overline{PDRV} | 52 | DVss | 85 | \overline{RST} | 118 | PDI[6] |
| 20 | PDAT | 53 | PDO[7] | 86 | XENA | 119 | PCI[6] |
| 21 | \overline{PTAG} | 54 | PDO[6] | 87 | V _{DD} | 120 | PDI[7] |
| 22 | PCLK | 55 | V _{DD} | 88 | SDATA[0] | 121 | PCI[7] |
| 23 | DVss | 56 | PDO[5] | 89 | SDATA[1] | 122 | PDI[8] |
| 24 | \overline{PENAO} | 57 | PDO[4] | 90 | SDATA[2] | 123 | PCI[8] |
| 25 | \overline{PENAI} | 58 | DVss | 91 | DVss | 124 | AVss |
| 26 | DVss | 59 | PDO[3] | 92 | SDATA[3] | 125 | PDI[9] |
| 27 | \overline{MATCHI} | 60 | PDO[2] | 93 | DIR[0] | 126 | PCI[9] |
| 28 | \overline{MATCHO} | 61 | V _{DD} | 94 | DIR[1] | 127 | AVss |
| 29 | \overline{PS} | 62 | PDO[1] | 95 | DVss | 128 | PDI[10] |
| 30 | V _{DD} | 63 | PDO[0] | 96 | RCI+ | 129 | PCI[10] |
| 31 | \overline{INT} | 64 | LD[0] | 97 | RCI- | 130 | PDI[11] |
| 32 | RDY | 65 | LD[1] | 98 | RDO+ | 131 | PCI[11] |
| 33 | DVss | 66 | NC | 99 | RDO- | 132 | V _{DD} |

PIN DESCRIPTION

Pseudo AUI Pins

PDO₀₋₁₁

**Pseudo AUI Data Output
Output/High Impedance**

PDO is a single-ended output driver. PDO can be placed into a high impedance state, allowing multiple IMR2 devices to connect to a single QUiET device (port switching). The output data is Manchester encoded.

PDI₀₋₁₁

**Pseudo AUI Receive Data Input
Input**

The input data is Manchester encoded.

PCI₀₋₁₁

**Pseudo AUI Collision Input
Input**

PAUI port collision data receiver. A 10-MHz square wave indicates a collision has been detected on that port.

RAUI Port Pins

**RDO+, RDO-
Reversible AUI Data Output
Output**

RDO is a differential, Manchester output driver.

**RDI+, RDI-
Reversible AUI Data Input
Input**

RDI is a differential, Manchester receiver.

**RCI+, RCI-
Reversible AUI Collision Input
Input/Output**

RCI is a differential I/O. As an input, RCI receives a collision indication. As an output, RCI generates a 10-MHz square wave when a collision is sensed.

\overline{PS}

Output

This pin is reserved for factory use.

AUI Pins

**DO+, DO-
AUI Data Output
Output**

AUI port differential driver. Manchester encoded data.

**DI+, DI-
AUI Data Input
Input**

AUI port differential receiver. Manchester encoded data.

**CI+, CI-
AUI Collision Input
Input**

AUI port collision differential receiver.

Expansion Bus Pins

DAT

Data

Input/Output/High Impedance

The IMR2 device drives the DAT line with NRZ data when both REQ and \overline{ACK} pins are asserted. DAT is an input if only the \overline{ACK} signal is asserted. If REQ and \overline{ACK} are not asserted, DAT enters a high impedance state. During collision when JAM is HIGH, DAT is used to signal a multiport (DAT=0) or single port (DAT=1) condition.

JAM

Jam

Input/Output/High Impedance

This pin is an output if the device is the only active IMR2 device. An IMR2 device is defined as active when it has one or more ports receiving or colliding, is in the state where it is still transmitting data from the internal FIFO, or is extending a packet to the minimum 96-bit times. If active, the IMR2 device drives the JAM pin HIGH to indicate that it is in a Collision state when both \overline{REQ} and \overline{ACK} pins are asserted. JAM is an input if only the \overline{ACK} signal is asserted. If \overline{REQ} and \overline{ACK} are not asserted, JAM enters a high impedance state.

REQ

Request

Output, Active LOW

This pin is driven LOW when the IMR2 device senses activity. An IMR2 device is defined as ACTIVE when it has one or more ports receiving or colliding, is in the state where it is still transmitting data from the internal FIFO, or is extending a packet to the minimum 96-bit times. The assertion of this signal signifies that the IMR2 device requires the DAT and JAM lines to transfer repeated data and collision status information to other IMR2 devices.

\overline{ACK}

Acknowledge

Input, Active LOW

When this signal is asserted by an external arbiter, it signals to the requesting IMR2 device that it may drive the DAT and JAM pins. It signals to other IMR2 devices the presence of valid collision status on the JAM line and valid data on the DAT line.

COL Collision Input, Active LOW

When this pin is asserted by an external arbiter, it signifies that more than one IMR2 device is active and that each IMR2 device should generate the Collision Jam Sequence independently.

ECLK Bus Clock Input/Output

Data transitions on the expansion bus on DAT are synchronized to this clock. ECLK is a 10-MHz output clock when DAT is transmitting and a 10-MHz input clock when DAT is receiving. ECLK is only used when the expansion bus is operated in the asynchronous mode. ECLK should be terminated to ground with a 1 k Ω resistor. ECLK should be ignored in the synchronous mode.

MACEN MAC Enable Input, Active LOW

When this pin is asserted, data on the expansion bus is included in MIB statistics. This is typically used when a MAC is driving the expansion bus.

MATCHO

This pin should be tied to +5 V through a 1 k Ω \pm 10% resistor.

MATCHI

This pin should be tied to +5 V through a 1 k Ω \pm 10% resistor.

FRAME Packet Framing Signal Input/Output, Active LOW

$\overline{\text{FRAME}}$ defines the beginning and end of a packet. $\overline{\text{FRAME}}$ indicates valid data on the DAT pin when the expansion bus is in the asynchronous mode. $\overline{\text{FRAME}}$ is an output on the IMR2 device when it is transmitting over the expansion bus. It is an input on all other IMR2 devices.

XMODE Expansion Bus Mode Input

XMODE determines the mode of the expansion bus. XMODE should not be changed after $\overline{\text{RST}}$. Although changing XMODE after $\overline{\text{RST}}$ will change the expansion bus mode, the operation is unpredictable. Therefore, it is recommended that XMODE be tied either HIGH or LOW, depending on the desired expansion bus mode.

| XMODE | Mode |
|-------|------------------------|
| 1 | Asynchronous |
| 0 | Synchronous (IMR/IMR+) |

XENA Port Enable Input

XENA sets the default mode of the ports. It is used when $\overline{\text{RST}}$ transitions from LOW to HIGH.

| XENA | Default |
|------|---|
| 1 | All ports are enabled. |
| 0 | All ports are disabled. The output drivers are in a high impedance state. |

Note: XENA only controls the default state. Once reset is completed, the enabling and disabling of ports is under software control. It is recommended that XENA be tied either HIGH or LOW, depending on the desired default state.

Packet Report Port

PDAT Packet Report Output, High Impedance

PDAT outputs the beginning portion of a packet followed by packet status information. The size of the beginning portion is user programmable. If a second packet arrives before PDAT finishes transmitting status information, the second packet and corresponding status information are not transmitted over PDAT. The packet is aborted on collision.

PENAI Packet Report Enable Input Input, Active LOW

$\overline{\text{PENAI}}$ senses when another device is transmitting over PDAT.

PENAO Packet Report Enable Output Output, Active LOW, Open Drain

$\overline{\text{PENAO}}$ is TRUE when the IMR2 device is transmitting data over PDAT. If a second packet arrives before PDAT is finished transmitting status information, $\overline{\text{PENAO}}$ remains active for the second packet.

PDRV Packet Drive Output, Active LOW

$\overline{\text{PDRV}}$ is TRUE when the IMR2 device is transmitting data over PDAT. If a second packet arrives before PDAT is finished transmitting status, $\overline{\text{PDRV}}$ goes FALSE after the status is transmitted.

PCLK Packet Report Clock Output, High Impedance

PCLK is a 10-MHz clock. PDAT transitions are synchronized to PCLK.

PTAG**Packet Tag****Output, HIGH Impedance, Active LOW**

$\overline{\text{PTAG}}$ indicates when the status frame is being transmitted over PDAT. It is asserted when the status frame is transmitted.

Microprocessor Interface**D[7:0]****Microprocessor Data****Input/Output**

These pins are inputs when either $\overline{\text{CS}}$ or $\overline{\text{WR}}$ are LOW. They are outputs when $\overline{\text{CS}}$ and $\overline{\text{RD}}$ are LOW. Otherwise, these pins are high impedance.

 $\overline{\text{CS}}$ **Chip Select****Input, Active LOW**

This pin enables the IMR2 device to read from or write to the microprocessor data bus.

 $\text{C}/\overline{\text{D}}$ **Control/Data****Input**

This pin is used to select either a control register or a data register in the IMR2 device and is normally connected to the least significant bit of the address bus.

 $\overline{\text{RD}}$ **Read Strobe****Input, Active LOW**

Initiates read operation.

 $\overline{\text{WR}}$ **Write Strobe****Input, Active LOW**

Initiates write operation.

RDY**Ready****Output, Active HIGH, Open Drain**

RDY is driven LOW at the start of every READ or WRITE cycle. RDY is released when the IMR2 device is ready to complete the transaction.

 $\overline{\text{INT}}$ **Interrupt****Output, Active LOW, Open Drain**

The Interrupt pin is driven LOW when any of the unmasked (enabled) interrupts occur.

LED Interface**LD[7:0]****LED Drivers****Output**

LD is the status output and is transmitted as 2 bytes. The byte number (high or low) is determined by BSEL.

BSEL**Byte Select****Output**

When BSEL is LOW, LD[7:0] is transmitting the status of the first eight PAUI ports (ports P₇ through P₀). When BSEL is HIGH, LD[7:0] is transmitting the status of the rest of the PAUI ports (ports P₁₁ through P₈), the AUI port, the RAUI port, and the expansion bus.

CRS**Carrier Sense Strobe****Output**

When CRS is HIGH, LD [7:0] has carrier sense status.

COLX**Collision Status****Output**

When COLX is HIGH, LD [7:0] has collision status.

PART**Partitioning Status****Output**

When PART is HIGH, LD [7:0] has partitioning status.

LINK**Link Status****Output**

When LINK is HIGH, LD [7:0] has link status.

POL**Polarity Status****Output**

When POL is HIGH, LD [7:0] has polarity status.

Miscellaneous Pins **$\overline{\text{RST}}$** **Reset****Input**

When $\overline{\text{RST}}$ is LOW, the IMR2 device resets to its default state.

MCLK**Master Clock****Input**

MCLK is a 20-MHz clock input.

Transceiver Device Interface**SDATA [3:0]****Serial Data****Input/Output**

SDATA carries command and status data between the IMR2 device and the QUIET device (or other connected transceiver).

| Pin | Transceiver Ports |
|-----------|-------------------|
| SDATA [0] | PAUI [3:0] |
| SDATA [1] | PAUI [7:4] |
| SDATA [2] | PAUI [11:8] |
| SDATA [3] | Arbitrary ports |

DIR
Direction
Output

DIR sets the direction of data on SDATA[3:0]. The settings are as follows:

| DIR[1:0] | Function |
|----------|--|
| 00 | Transceiver (QULET device) drives SDATA with status and device ID. |
| 01 | SDATA is a high impedance output. |
| 10 | SDATA is a high impedance output. |
| 11 | IMR2 device drives SDATA with commands. |

V_{DD}
Power Pin

These pins supply +5 V power.

AV_{SS}
Analog Ground
Ground Pin

These pins provide the ground reference for the analog portions of the IMR2 circuitry. These pins should be decoupled and kept separate from the digital ground plane.

DV_{SS}
Digital Ground
Ground Pin

These pins provide the ground reference for the digital portions of the IMR2 circuitry. These pins should be decoupled and kept separate from the analog power plane.

FUNCTIONAL DESCRIPTION

Overview

The Am79C983A Integrated Multiport Repeater 2 device provides a system-level solution to designing IEEE 802.3 managed repeaters. It includes 12 pseudo AUI (PAUI) ports for single-ended connections to external transceivers. The IMR2 device interfaces directly with AMD's Am79C988A Quad Integrated Ethernet Transceiver (QuIET) device for 10BASE-T implementations. The PAUI ports can be turned off individually to enable port switching applications. In addition, the IMR2 device has a standard AUI port and a reversible AUI (RAUI) port for a direct connection to a MAC.

The IMR2 device provides a Hardware Implemented Management Information Base (HIMIB) which contains all of the necessary counters, attributes, actions, and notifications specified by Section 19 of the IEEE 802.3 standard. Support for an RMON MIB, as specified by the Internet Engineering Task Force (IETF) RFC 1757, is also provided. Direct support is from an RMON Register Bank. Additional support is provided by the Packet Report Port, which supplies packet information that can be used in conjunction with a microprocessor to derive various RMON MIB attributes.

Basic Repeater Functions

The IMR2 repeater functions are summarized below. An overview of IMR2 management functions is presented under *Basic Management Functions*.

Repeater Function

If any single network port of a repeater system senses the start of a valid packet on its receive lines, the IMR2 device will retransmit the received data to all other enabled network ports unless a collision is detected. The repeated data will also be presented on the DAT line of the expansion bus to facilitate designs utilizing multiple IMR2 devices. The IMR2 device fully complies with Section 9.5.1 of the IEEE 802.3 specifications.

Signal Regeneration

When retransmitting a packet, the IMR2 device ensures that the outgoing packet complies with the IEEE 802.3 specification in terms of preamble structure. Data packets repeated by the IMR2 device will contain a minimum of 56 preamble bits before the Start of Frame Delimiter.

The IMR2 device, by virtue of its internal Phase Lock Loop and Manchester Encoder/Decoder, will ensure correct regeneration of the repeated signal at its PAUI and AUI outputs. If the outputs of the IMR2 device are connected to QuIET device transceivers, the 10BASE-T outputs of the QuIET devices will meet the IEEE 802.3 signal symmetry requirements. If other types of transceivers are used, the signal characteristics will depend, in part, on the transceiver.

Jabber Lockup Protection

The IMR2 chip implements a built-in jabber protection scheme to ensure that the network is not disabled due to transmission of excessively long data packets. This protection scheme will automatically interrupt the transmitter circuits of the IMR2 device for 96-bit times, if the IMR2 device has been transmitting continuously for more than 65,536 bit times. This is referred to as MAU Jabber Lockup Protection (MJLP). The MJLP status for the IMR2 chip can be read from the Repeater Status Register.

Collision Handling

The IMR2 chip will detect and respond to collision conditions as specified in the IEEE 802.3 specification. A multiple IMR2 device repeater implementation also complies with the specification because of the inter-IMR2 chip status communication provided by the expansion port. Specifically, a repeater based on one or more IMR2 devices will handle correctly the transmit collision and one-port-left collision conditions as specified in Section 9 of the IEEE 802.3 specification.

Fragment Extension

If the total packet length received by the IMR2 device is less than 96 bits, including preamble, the IMR2 chip will extend the repeated packet length to 96 bits by appending a Jam sequence to the original fragment. Note that in a few cases, it is possible for the IMR2 device to generate a sequence 97 bits in length when the expansion bus is operated in the asynchronous mode.

Auto Partitioning/Reconnection

Any of the IMR2 ports can be partitioned under excessive duration or frequency of collision conditions. Once a port is partitioned, the IMR2 device will continue to transmit data packets to a partitioned port, but will not respond (as a repeater) to activity on the partitioned port's receiver. The IMR2 chip will monitor the port and reconnect it once certain criteria indicating port "wellness" are met. The criteria for reconnection are specified by the IEEE 802.3 standard. In addition to the standard reconnection algorithm, the IMR2 device implements an alternative reconnection algorithm which provides a more robust partitioning function. Each port is partitioned and/or reconnected separately and independently of other network ports.

Either one of the following conditions occurring on any enabled IMR2 device network port will cause the port to partition:

- a. An SQE signal active for more than 2048 bit times.
- b. A collision condition occurs during each of 32 consecutive attempts to transmit to that port.

Once a network port is partitioned, the IMR2 device will reconnect that port if the following is met:

- a. Standard reconnection algorithm—A data packet longer than 512-bit times (nominal) is transmitted or received by the partitioned port without a collision.
- b. Alternate reconnection algorithm—A data packet longer than 512-bit times (nominal) is transmitted by the partitioned port without a collision.

Basic Management Functions

Repeater Management

The IMR2 management functions are a super-set of the those provided by the AMD’s IMR+/HIMIB device chipset. The IMR2 device contains the complete set of repeater and port functions as defined in ANSI/IEEE 802.3, *Repeater Management Standard*, (Section 19). All mandatory and optional capabilities are supported. These include the Basic Control, Performance Monitoring, and Address Tracking packages. Additionally, Node Address Mapping, MAU Management specific functions, and intrusion protection functions are included. Support is also provided for the RMON MIB RFC 1757.

All information is stored in registers which can be accessed through the Microprocessor Interface (Node Processor Port). The register location is defined by a register bank and an address within that register bank. Address and data of the registers are multiplexed using the C/D pin. The register address is selected by writing to the Node Processor Port with C/D HIGH. The register data is selected by writing or reading to the Node Processor Port with C/D LOW.

Many of the registers are larger than 1 byte. For these registers, consecutive accesses to register data (equal to the number of bytes in the register) are required. The order is LSByte to MSByte. For a write operation, if the address changes before all the bytes are written, the register is not changed to the new value.

The Status Register is accessed by reading the Node Processor Port with the C/D pin HIGH. This reduces the number of operations necessary to access the Status Register.

All bit fields are ordered such that the left most bit is the most significant bit. Unused register banks, ports and register numbers are reserved and should not be accessed as this may cause device malfunction. When specifying the register bank or port number, the following format is used:

C Port Write

| | | | | | | | | |
|-----|---|---|----|----|----|----|----|-----|
| 0 | 0 | 0 | P4 | P3 | P2 | P1 | P0 | |
| MSB | | | | | | | | LSB |

P4:0 represent the Register Bank or Port Number, organized as follows:

$$P = P_4 P_3 P_2 P_1 P_0$$

| P | Port/Register Bank |
|--------|-----------------------------|
| 0 | Repeater Registers |
| 1 | Interrupt Registers |
| 2 | Interrupt Control Registers |
| 3 | Port Control Registers |
| 4 | Port Status Registers |
| 5 | RMON Registers |
| 7 | Packet Report Registers |
| 16- 30 | Port Attributes |

The register to be accessed for reading or writing is specified by writing the following control byte to the C register:

C Port Write

| | | | | | | | | |
|-----|---|---|----|----|----|----|----|-----|
| 1 | 1 | 1 | R4 | R3 | R2 | R1 | R0 | |
| MSB | | | | | | | | LSB |

$$R = R_4 R_3 R_2 R_1 R_0$$

Figure 1 shows the Management Register Map, and Table 1 shows register banks and register assignments within the register banks.

RMON

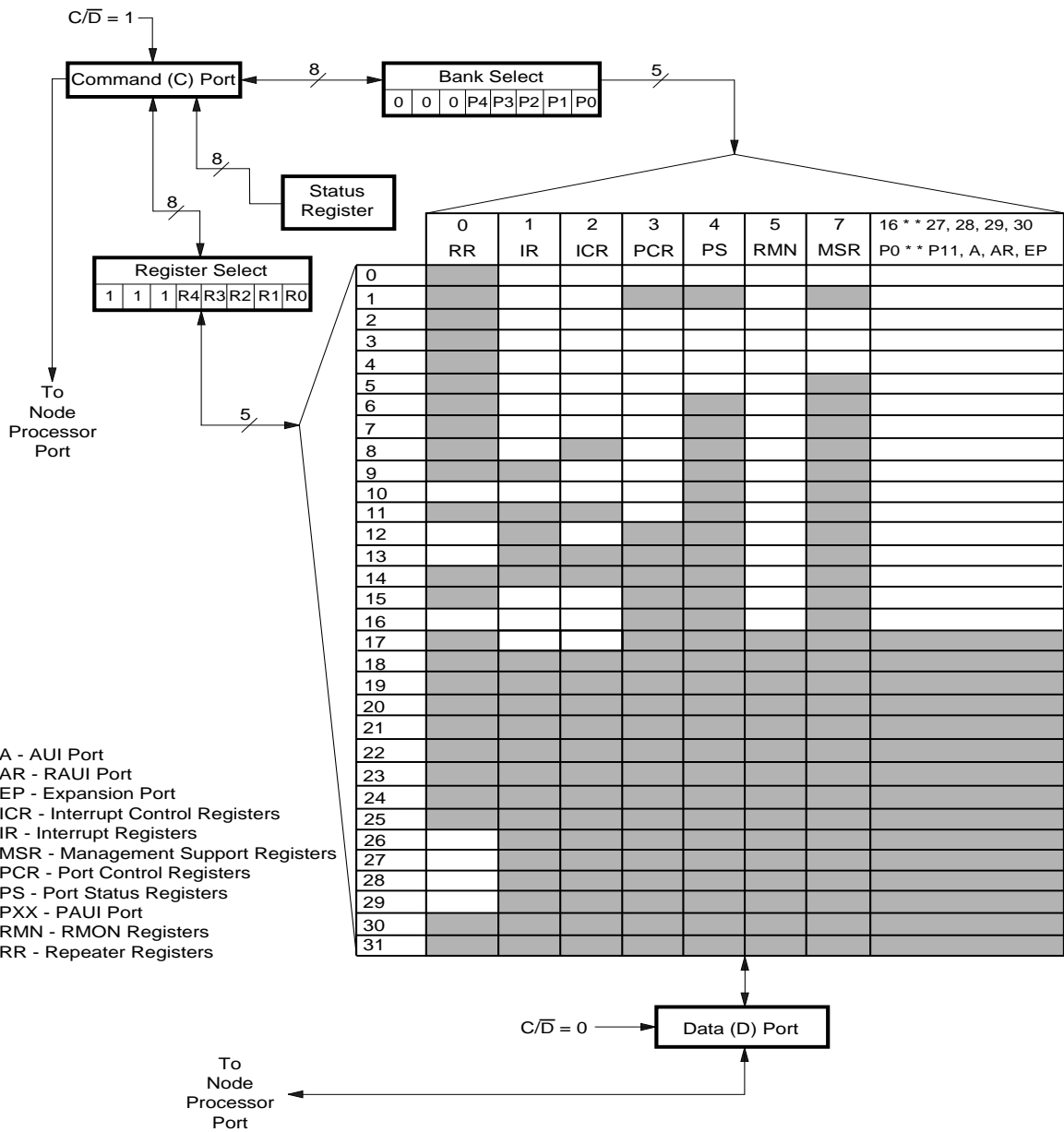
Remote monitoring (RMON) functions are designed to give the management system the capability to remotely monitor the hub for diagnostic purposes. The rules for RMON are described in the RMON MIB (as of this writing IETF RFC1578).

The IMR2 device provides direct support for both the statistics and history object groups. Indirect support is provided for the alarm, host, hostTopN, event, and matrix groups. Direct support is provided via the RMON register set and relevant attribute registers. Indirect support is provided through the Packet Report Port.

Packet Reports

The IMR2 device generates status information on every packet that it repeats. The data is transmitted over the Packet Report Port. The data format consists of the beginning of the packet followed by a packet tag and statistical data on the packet.

| | | | | | | |
|----------|----|----|-----|----------------------------|------------------------------|------------|
| Preamble | DA | SA | T/L | Packet Data Var. Length | Port No., Tag & Status | New FCS |
|----------|----|----|-----|----------------------------|------------------------------|------------|



A - AUI Port
 AR - RAUI Port
 EP - Expansion Port
 ICR - Interrupt Control Registers
 IR - Interrupt Registers
 MSR - Management Support Registers
 PCR - Port Control Registers
 PS - Port Status Registers
 PXX - PAUI Port
 RMN - RMON Registers
 RR - Repeater Registers

19879B-5

Figure 1. Management Register Map

Table 1. Management Registers

| Reg. No. | Register Bank 0 Repeater Registers | Register Bank 1 Interrupt Registers | Register Bank 2 Interrupt Control Registers | Register Bank 3 Port Control Registers |
|----------|---------------------------------------|---|---|--|
| 0 | | Port Partition Status Change Interrupt | Partition Change Interrupt Enable | Alternative Partition Algorithm Enable |
| 1 | | Runts with Good FCS Interrupt | Runts with Good FCS Interrupt Enable | |
| 2 | | Link Status Change Interrupt | Link Status Change Interrupt Enable | Link Test Enable |
| 3 | | Loopback Error Change Interrupt | Loopback Error Change Interrupt Enable | Link Pulse Transmit Enable |
| 4 | | Polarity Change Interrupt | Polarity Change Interrupt Enable | Automatic Receiver Polarity Reversal Enable |
| 5 | | SQE Test Error Change Interrupt | SQE Test Error Change Interrupt Enable | SQE Mask Enable |
| 6 | | Source Address Changed Interrupt | Source Address Changed Interrupt Enable | Port Enable/Disable |
| 7 | | Intruder Interrupt | Intruder Interrupt Enable | Port Mobility Control |
| 8 | | Source Address Match Interrupt | | Extended Distance Enable |
| 9 | | | Multicast Address Pass Enable | Last Source Address Automatic Intrusion Control |
| 10 | Source Address Match Register | Data Rate Mismatch Interrupt | Data Rate Mismatch Interrupt Enable | Pref. Source Address Automatic Intrusion Control |
| 11 | | | | Last Source Address Lock Enable |
| 12 | Total Octets | | Last Source Address Compare Enable | |
| 13 | Transmit Collisions | | | |
| 14 | | | | |
| 15 | | Transceiver Interface Status | Preferred Address Compare Enable | |
| 16 | Configuration Register | Transceiver Interface Changed Interrupt | Transceiver Interface Changed Interrupt Enable | |
| 17 | | Jabber Interrupt | Jabber Interrupt Enable | |
| 18 | | | | |
| 19 | | | | |
| 20 | | | | |
| 21 | | | | |
| 22 | | | | |
| 23 | | | | |
| 24 | | | | |
| 25 | | | | |
| 26 | Repeater Status | | | |
| 27 | QUIET Device ID Register | | | |
| 28 | Repeater Device and Revision Register | | | |
| 29 | Device Configuration | | | |
| 30 | | | | |
| 31 | | | | |

Table 1. Management Registers (Continued)

| Reg. No. | Register Bank 4 Port Status Registers | Register Bank 5 RMON Registers | Register Bank 7 Management Support Registers | Register Bank 16-30 Port Attribute Registers |
|----------|--|-----------------------------------|--|---|
| 0 | Partitioning Status of Ports | etherStatsOctets | Device ID | Readable Frames |
| 1 | | etherStatsPkts | | Readable Octets |
| 2 | Link Test Status of Ports | etherStatsBroadcastPkts | Sample Error Status | Frame Check Sequence Errors |
| 3 | Loopback Error Status | etherStatsMulticastPkts | Report Packet Size | Alignment Errors |
| 4 | Receive Polarity Status | etherStatsCRCAlignErrors | Statistics Control | Frames Too Long |
| 5 | SQE Test Status | etherStatsUndersizePkts | | Short Events |
| 6 | | etherStatsOversizePkts | | Runts |
| 7 | | etherStatsFragments | | Collisions |
| 8 | | etherStatsJabbers | | Late Events |
| 9 | | etherStatsCollisions | | Very Long Events |
| 10 | | etherStats64Octets | | Data Rate Mismatches |
| 11 | | etherStats65to127Octets | | Auto Partition |
| 12 | | etherStats128to255- Octets | | Source Address Changes |
| 13 | | etherStats256to511- Octets | | Readable Broadcast Frames |
| 14 | | etherStats512to1023- Octets | | Last Source Address |
| 15 | | etherStats1024to1518- Octets | | Readable Multicast Frames |
| 16 | | Activity | | Preferred Source Address |
| 17 | | | | |
| 18 | | | | |
| 19 | | | | |
| 20 | | | | |
| 21 | | | | |
| 22 | | | | |
| 23 | | | | |
| 24 | | | | |
| 25 | | | | |
| 26 | | | | |
| 27 | | | | |
| 28 | | | | |
| 29 | | | | |
| 30 | | | | |
| 31 | | | | |

Detailed Functions

This section describes the detailed functional behavior of the IMR2 device. Where necessary, the behavior is defined in terms of state machines. Note that this is a conceptual definition and the actual implementation may be different.

Reset

Hardware Reset

The IMR2 device enters the reset state when the \overline{RST} pin is driven LOW. The reset pin should be held LOW for a minimum of 150 μ s after power-up or 4 μ s otherwise. This allows the IMR2 device to reset the internal logic. During reset, the registers are set to their default values. The output signals are placed in their inactive state. That is, all analog outputs are placed in their idle state, all bidirectional signals are not driven, all active-HIGH signals are driven LOW, and all active-LOW signals are driven HIGH. The only exception is POL, which defaults to HIGH on reset. In a multiple IMR2 device repeater, the reset signal should be synchronized to MCLK when the expansion bus is operated in the synchronous mode.

Reset does not affect the RMON registers (Register Bank 5) or the Port Attribute Registers (Register Banks 16-30). These registers will power up at a random value. They can be preset while the IMR2 is in software reset or while the port is disabled via the microprocessor interface.

The mode of the expansion bus and the default state of the ports are set by XMODE and XENA during \overline{RST} . XMODE sets the expansion bus mode and XENA sets the port state. Note that XENA only controls the default state. Once reset is completed, the enabling and disabling of the ports is under software control. The settings are as follow:

| | | |
|-------|---|---|
| XMODE | 1 | The expansion bus is in the asynchronous (IMR2) mode. |
| | 0 | The expansion bus is in the synchronous (IMR/IMR+) mode. |
| XENA | 1 | All ports are enabled. |
| | 0 | All PAUI ports are disabled. The output drivers are placed in a high impedance state. |

Software Reset

The IMR2 device supports software reset with two bits on the Device Configuration Register: Repeater Reset (R - bit 7 on the register) and Management Reset (M - bit 6 on the register). Bit R resets the registers, repeater, and MAC engine. Setting Bit R is the functional equivalent of hardware reset, with the exception that the micro-

processor interface is not reset and the ability to access 4 and 6 byte attribute registers is maintained. Bit M affects only the management and intrusion protection functions of the IMR2 device.

Bit R causes the IMR2 device to go into the default state. As with hardware reset, all analog outputs are placed in their idle state, all bidirectional signals are not driven, all active-HIGH signals are driven LOW, and all active-LOW signals are driven HIGH. The only exception is POL, which defaults to HIGH on reset. Registers are also set to their default state.

Setting Bit R also allows write access to the MIB registers and some other read-only registers. These registers are the Total Octets Register, the Transmit Collision Register, the entire RMON Register Bank, and the Port Attribute Register Banks. Note that the Last Source Address Register and the Preferred Source Address Register can also be written into when bit R is not set. Setting bit R will not affect any bit of the Device Configuration Register. Thus, the IMR2 device does not automatically exit software reset. Software reset must be exited by setting bit R to zero.

The function of bit M is a subset of the function of bit R. It affects the intrusion protection and MIB registers. Setting bit M causes the intrusion protection registers to go into the default state. As with bit R, the MIB registers can be written into. 2 lists the default state of the registers. If the M column has an M, the corresponding register is set to its default state when bit M is set.

Expansion Bus

The expansion bus has two modes of operation: the synchronous (IMR/IMR+ compatible) mode and the asynchronous mode. The modes are differentiated by the expansion bus clock. In the synchronous mode, the IMR2 devices (and any IMR/IMR+ devices) are all clocked by a single 20-MHz clock. The IMR2 device uses MCLK as the clock source.

In the asynchronous mode, IMR2 devices can be clocked (MCLK) by different sources. The single IMR2 device transmitting over the expansion bus provides the clock source for data. The clock pin in this mode is ECLK. ECLK clocks the data. All other expansion bus signals are asynchronous. The mode of expansion bus operation is selected during reset by XMODE.

The expansion bus can be configured for connection to a MAC. The pin \overline{MACEN} selects the MAC mode. When \overline{MACEN} is TRUE (LOW), the statistics on the data received by DAT are recorded in the management registers. The expansion bus is considered another port in the same sense as the PAUIs, the AUI, and the RAUI.

Synchronous Mode Operation

While operating in the synchronous mode, the expansion bus pins are Data (DAT), JAM, Request (REQ), Acknowledge (ACK), and Collision (COL). DAT and JAM are bidirectional signals. REQ is an output. ACK and COL are inputs.

Table 2. Register Reset Default States

| Register | Default | M |
|--|-------------|------|
| Configuration | | M, R |
| Enable Interrupts | Masked | |
| Source Address Match Interrupt | Masked | |
| Repeater Status | | |
| MJLP | No Error | R |
| Device Configuration | | |
| Repeater Reset | Normal | |
| Management Reset | Normal | |
| RAUI Direction | Normal | |
| Loopback Test Mode | Normal | |
| Transceiver Loopback | Normal | |
| Partition Change Interrupt | None | R |
| Runts with Good FCS Interrupt | None | M, R |
| Link Change Interrupt | None | R |
| Loopback Change Interrupt | None | R |
| Polarity Changed Interrupt | None | R |
| SQE Test No Change Interrupt | None | R |
| Source Address Changed Interrupt | None | M, R |
| Intruder Interrupt | None | M, R |
| Source Address Match Interrupt | None | M, R |
| Data Rate Mismatch Interrupt | No Mismatch | R |
| Transceiver Interface Status | No Trans. | R |
| Transceiver Interface Change Interrupt | None | R |
| Jabber Interrupt | No Jabber | R |
| Partition Change Interrupt Enable | Masked | R |
| Runts with Good FCS Interrupt Enable | Masked | M, R |
| Link Changed Interrupt Enable | Masked | R |
| Loopback Changed Interrupt Enable | Masked | R |
| Polarity Changed Interrupts Enable | Masked | R |
| SQE Test Changed Interrupt Enable | Masked | R |

| Register | Default | M |
|--|-------------------|------|
| Source Address Changed Interrupt Enable | Masked | M, R |
| Intruder Interrupt Enable | Masked | M, R |
| Multicast Address Pass Enable | Disabled | M, R |
| Data Rate Mismatch Interrupt Enable | Masked | R |
| Source Address Compare Enable | Disabled | M, R |
| Preferred Address Compare Enable | Disabled | M, R |
| Transceiver Interface Changed Interrupt Enable | Masked | R |
| Jabber Interrupt Enable | Masked | R |
| Alternative Partition | Disabled | R |
| Link Test Enable | Enabled | R |
| Link Pulse Enable | Enabled | R |
| Reverse Polarity Enable | Disabled | R |
| SQE Mask Enable | Disabled | R |
| Port Enable | Enabled | R |
| Port Mobility Control | XENA | R |
| Extended Distance Control Enable | Disabled | R |
| Source Address Automatic Intrusion Enable | Disabled | R |
| Preferred Address Automatic Intrusion Enable | Disabled | R |
| Last Source Address Lock Enable | Disabled | M, R |
| Partition Status | Connect | R |
| Link Status | Link Fail | R |
| Loopback Status | No Error | R |
| Polarity Status | Positive | R |
| SQE Test Status | No Error | R |
| Sample Counter Que | Four | M, R |
| Packet Report Packet Size | 07FF ⁴ | M, R |
| Statistics Control | | |
| Stat Tag | Disable | M, R |
| FCS Tag | Disable | M, R |

The IMR2 device expansion scheme allows the use of multiple IMR2 devices in a single-board repeater or in a modular multiport repeater with a backplane architecture. Data sent on the DAT line is in NRZ format and is synchronized to MCLK. Another bidirectional pin, JAM, is used to communicate internal IMR2 device status from the single active IMR2 device to other IMR2 devices in the system. This signal indicates whether the active IMR2 device is in a collision state.

Arbitration for control of the bussed signals, DAT and JAM, is provided by external circuitry. One output pin (REQ) and two input pins (ACK and COL) are used as arbitration signals. The IMR2 device asserts REQ to

indicate that it is active and is ready to drive the DAT and JAM signals. The external arbiter asserts \overline{ACK} if one and only one IMR2 device has \overline{REQ} asserted. This allows the corresponding IMR2 device to drive the DAT line with data to be repeated by all other IMR2 devices. If there is more than one IMR2 device asserting \overline{REQ} , the external arbiter should assert \overline{COL} , indicating multiple IMR2 devices are active.

The active IMR2 device drives the JAM line HIGH in order to signal other IMR2 devices that it has detected a collision across one or more of its ports and is generating a Jam Sequence. The DAT line is used during single IMR2 device collision (JAM asserted) to signal single-port collision (DAT HIGH) or multiport collision (DAT LOW). Other IMR2 devices synchronize their internal Collision Jam Sequence generators using JAM and DAT pins as inputs.

If more than one IMR2 device is active (multiple \overline{REQ} s asserted), the external arbiter should assert the \overline{COL} line to signal this condition. In this case, all IMR2 devices in the repeater are forced into the multiport collision state and will generate Jam sequence independently while this condition lasts. As ports on separate IMR2 devices back off, the last IMR2 device with an active port regains control of the DAT and JAM signals and all other IMR2 devices will continue generating Jam sequence while the JAM signal is asserted.

In a typical single-board application, three IMR2 devices can be connected together without the use of external transceivers. The total number of IMR2 devices that can be used in a more complex architecture will depend on the drive capability, system timing limitations, and system design.

The external arbiter is required to generate two signals (\overline{ACK} and \overline{COL}). The logic function for these signals in a three IMR2 device Repeater Unit is as follows:

$$ACK = REQ1 \& !REQ2 \& !REQ3 + !REQ1 \& REQ2 \& !REQ3 + !REQ1 \& !REQ2 \& REQ3$$

$$COL = !(ACK + !REQ1 \& !REQ2 \& !REQ3)$$

Asynchronous Mode Operation

The operation of the expansion bus in the asynchronous mode is similar to the operation in the synchronous mode. The primary difference is that the clock signal in the asynchronous mode is ECLK, which is sourced by the IMR2 device transmitting DAT. The signals JAM, \overline{REQ} , \overline{ACK} , and \overline{COL} are all asynchronous.

DAT is synchronized to ECLK, which is a 10-MHz clock signal. When the IMR2 device asserts \overline{REQ} and receives an \overline{ACK} , ECLK is an output. When the IMR2 device does not assert \overline{REQ} and receives an \overline{ACK} , ECLK is an input.

In the asynchronous mode, it is probable that ECLK and the master clocks of the receiving IMR2 devices will be

skewed in frequency. To help the IMR2 devices accommodate the frequency differences, the expansion bus transmits a framing signal (\overline{FRAME}). See Figure 2.

Because JAM is an asynchronous signal, there is no defined relationship between JAM and ECLK.

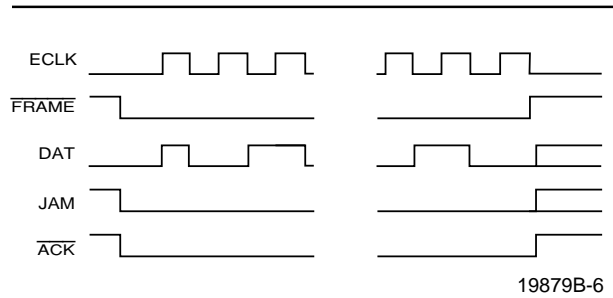


Figure 2. Asynchronous Mode Data Transfer

Packet Statistics

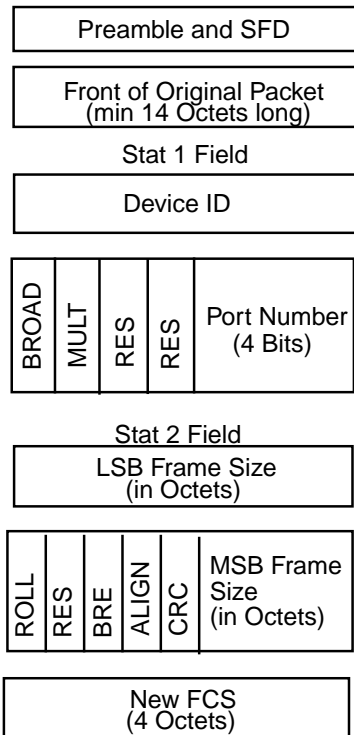
Packet Report Port

For each packet, the IMR2 device can compile a set of data about that packet. This data, which will now be referred to as the report packet, allows the system to derive objects in the Host, HostTopN, and Matrix groups of the RMON MIB (RFC 1757). The Report Packet is delivered by the Packet Report Port (PR).

The PR port transmits a portion of the packet along with data about that packet to a MAC. The format of the report packet is shown in 3. Sending only a portion of the packet is referred to as packet compression.

The degree to which the original packet is compressed is set by the Report Packet Size Register. The size is in bytes. If the register is set to 14 or less, the size of the packet passed is 14 bytes. If the register is set to 1536 or greater, the entire packet is passed. If the packet size is equal to or less than the value set in the Report Packet Size Register, the entire packet is passed.

If the destination address of the packet is the same as the address of the MAC connected to the PR Port, then it is desirable to have the entire packet transmitted to the MAC. Therefore, packet compression is automatically disabled when the destination address of the packet is a valid address for the expansion bus. However, the report tag is appended to the end of the packet. Note that the entire packet is also sent if the destination address is a broadcast address.



BROAD - Broadcast Address Match
 MULT - Multicast Address Match
 RES - Reserved. Set to Zero.
 ROLL - Frame Size has exceeded 1535 bytes
 BRE - Bit Rate Error
 ALIGN - Framing Error
 CRC - CRC Error

Note: The bit designation is LSB to the left and MSB to the right. The fields are transmitted LSB first.

19879B-7

Figure 3. Detailed Report Packet

The presence of a valid destination address is determined by comparing the destination address of the packet with the Last Source Address Register and the Preferred Source Address Register associated with the expansion bus. Comparison is enabled by setting the EP bit of the Last Source Address Compare Enable Register and/or the Preferred Source Address Compare Enable Register. Setting the EP bit of the Multicast Address Pass Enable Register inhibits compression when the address is a multicast address.

The PR port has six signals: PCLK, PDAT, $\overline{\text{PENAO}}$, $\overline{\text{PENAI}}$, $\overline{\text{PDRV}}$, and PTAG. PCLK is a 10-MHz clock signal. PDAT transmits the packet data and is clocked by the rising edge of PCLK. $\overline{\text{PENAO}}$ is an active-LOW signal and indicates when the PR port is active. $\overline{\text{PENAI}}$ senses when a PR port of another IMR2 device is active and is an active-LOW signal. $\overline{\text{PDRV}}$ is used to enable an external buffer for PCLK and PDAT. PTAG indicates when the tag is being transmitted.

The signal format is shown in 4. PDAT first transmits the compressed or uncompressed packet. Then it transmits the first status field. This field has the format of the first statistics field shown in 4. At the end of the first statistics field, PCLK is stopped until the end of the packet. Then the second statistics field is transmitted over PDAT along with a new FCS.

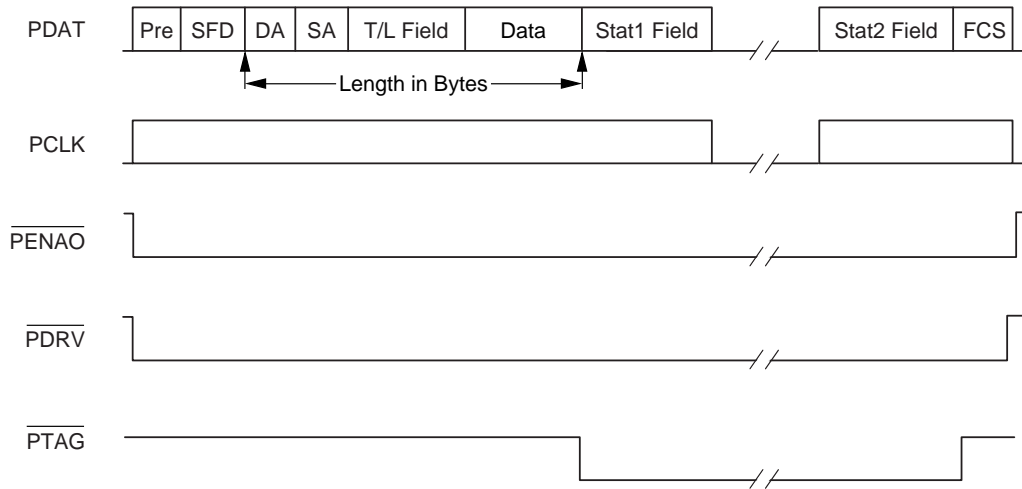
Multiple IMR2 devices can be connected to a single MAC. If an IMR2 device becomes active while another device is transmitting statistics, the new packet will not be transmitted over the PR port.

RAUI Port

The RAUI Port is a configurable AUI port. It has the same signals that are associated with an AUI port: DO, DI, and CI. For the RAUI Port, these are named RDO, RDI, and RCI, respectively. The RAUI port can be configured in either normal or reverse mode. When configured in normal mode (default mode), the functionality is that of an AUI port on a MAC. When configured in reverse mode, the RAUI port provides the functionality of an AUI port on a MAU, with RCI acting as an output. This reverse configuration allows the RAUI Port to be connected directly to a MAC. However, the sense of RDO and RDI does not change with the configuration. Therefore, in the reverse configuration RDO should be connected to DI of the MAC and RDI should be connected to DO on the MAC.

Table 3. RAUI Port

| Device Configuration Register Bit 5 | RAUI Port Mode |
|-------------------------------------|---------------------------------|
| 0 | Normal Mode |
| 1 | Reverse Mode (RCI is an Output) |



19879B-8

Figure 4. Packet Port Signals

Error Packet Statistics

Sample Error Status is an 8-byte 4-deep FIFO that contains statistical data on each packet having errors. The data is read in the following order:

| | |
|----------------|---|
| Port Number | 1 byte |
| Status | 1 byte: FCS Error (LSB) Non-Integral Bytes Long Short Runt Data Rate Error Very Long Event (MSB) |
| Source Address | 6 bytes |

The FIFO is emptied by reading. If the FIFO is full, nothing more is recorded in Sample Error Status. If the control port is accessed, the reading starts at the beginning of the next location. If the data register is accessed after the location has been completely read, the beginning of the next location is automatically accessed.

Transceiver Interface

PAUI Ports

Packets are transferred between an IMR2 device and transceivers via twelve Pseudo AUI (PAUI) ports. The PAUI ports have the functionality of AUI ports, except that they are single-ended signals rather than differential.

QuiET Device Control and Status Data Interface

Control and status data are passed between the IMR2 device and QuiET devices via a serial data interface.

Status data is on the SDATA[3:0] pins, and serial interface control is on the DIR[1:0] pins. SDATA is I/O. For interfacing with non-QuIET devices, both DIR[1] and DIR[0] are required. DIR[1:0] is used to select groups of four ports. For interfacing with QuiET devices, only DIR[1] is required.

DIR[1] controls the direction of data travel. Each SDATA pin corresponds to a QuiET device connected to a set of four specific IMR2 device ports.

| Pin | Port |
|----------|-------------|
| SDATA[0] | PAUI [3:0] |
| SDATA[1] | PAUI [7:4] |
| SDATA[2] | PAUI [11:8] |

Typically, SDATA[3] is not used for a 12-port repeater. However, a QuiET device can be attached to the AUI port and the RAUI port (in normal mode) to make a 14-port repeater. The remaining two ports on the QuiET device can be connected to two ports on another IMR2 device. SDATA[3] provides the MAU management for all four ports on this QuiET device.

QuiET Device Control and Status Data Interface Operation

The interface has two modes of operation: QuiET device mode and Non-QuIET device mode. The QuiET device mode is automatically selected when a QuiET device is attached and used, and the Non-QuIET mode is selected when another type of transceiver is used. Note that it is possible for different sets of ports to use different types of transceivers.

In the QuIET device mode, DIR[1] has the following values:

| | | |
|--------|---|--|
| DIR[1] | 0 | QuIET device drives SDATA with status and device ID. |
| | 1 | IMR2 device drives QuIET device with commands. |

DIR[1] continually cycles. The state of DIR changes once every 50-bit times (1-bit time = 100 ns). When DIR[1] switches from 1 to 0, the QuIET device responds in the following format:

01010A₀A₁A₂A₃B₀B₁B₂B₃C₀C₁C₂C₃D₀D₁D₂D₃S₀S₁S₂S₃

| | | |
|---|------------------------------|--------------------------------|
| 01010 | Preamble | |
| A ₀ A ₁ A ₂ A ₃ | Device ID (0000 for QuIET) | |
| B ₀ B ₁ B ₂ B ₃ | 0 | Link Fail |
| | 1 | Link Pass |
| C ₀ C ₁ C ₂ C ₃ | 0 | Received polarity is reversed. |
| | 1 | Received polarity is correct. |
| D ₀ D ₁ D ₂ D ₃ | 0 | No Jabber |
| | 1 | Jabber |
| S _n | Spares - Will be logic HIGH. | |

Each character corresponds to a bit. Each bit is held for 2-bit times (200 ns). The IMR2 device uses the 01010 preamble to determine if the transceiver is a QuIET device. If any other sequence is received, the SDATA[n] pins behave as if a non-QuIET device transceiver is connected.

On the SDATA[n] pins that return the correct preamble, the IMR2 device transmits the following sequence when DIR[1] switches from 0 to 1.

0E₀E₁E₂E₃F₀F₁F₂F₃G₀G₁G₂G₃H₀H₁H₂H₃S₀S₁S₂S₃S₄S₅S₆

| | | |
|---|------------------------------|----------|
| E ₀ E ₁ E ₂ E ₃ | Extended Distance | |
| | 0 | Disabled |
| | 1 | Enabled |
| F ₀ F ₁ F ₂ F ₃ | Link Test | |
| | 0 | Disabled |
| | 1 | Enabled |
| G ₀ G ₁ G ₂ G ₃ | Link Pulse Transmit | |
| | 0 | Disabled |
| | 1 | Enabled |
| H ₀ H ₁ H ₂ H ₃ | Reverse Received Polarity | |
| | 0 | Disabled |
| | 1 | Enabled |
| S _n | Spares - Will be logic HIGH. | |

Control and Status for Non-QuIET Transceivers

On the SDATA[n] pins that do not return the correct preamble, the IMR2 device expects to see data corresponding to the polarity status of the port. The corresponding signals for each port on the transceiver should be connected to a 4-to-1 multiplexer with DIR utilized as the control lines. The multiplexer should behave as follows:

| DIR[1:0] | Action |
|----------|-----------------------|
| 00 | Select Transceiver 0. |
| 01 | Select Transceiver 1. |
| 10 | Select Transceiver 2. |
| 11 | Select Transceiver 3. |

DIR[1:0] rotates through the 10 → 00 → 01 → 11 cycle regardless of the mode of SDATA[n]. The mode of each SDATA[n] pin can change with each cycle as transceivers are removed or inserted.

Visual Status Monitoring (LED) Support

The IMR2 device has a status port which can be connected to LEDs to facilitate visual monitoring of different repeater ports. Five port status attributes can be monitored: Carrier Sense (CRS), Collision (COLX), Partition (PART), Link Status (LINK), and Polarity (POL). The status of the ports is indicated on an 8-bit bus, LD[7:0], which is time multiplexed to show all five attributes for up to 16 ports. BSEL is the port select pin. When the select pin (BSEL) is LOW, LD[7:0] has the status of ports P7 through P0. When BSEL is HIGH, LD[3:0] has the status of P11 through P8, LD[4] has the status of the AUI port, and LD[5] has the status of the RAUI port. LD[7:6] is used to display the port status of a fourth QuIET device that optionally may be shared with another IMR2 device.

CRS, COLX, PART, LINK, and POL are the attribute select pins. When an attribute select pin is HIGH, LD[7:0] indicates the corresponding status attribute. The Status Monitoring port continually cycles as per 5. Each strobe is active for 64-bit times (6.4 μs). This allows a 10-percent duty cycle. The following table gives the value of LD[7:0] corresponding to the Attribute Select signal.

| Signal | HIGH | LOW |
|--------|-----------|--------------|
| CRS | Activity | No Activity |
| COLX | Collision | No Collision |
| PART | Connected | Partitioned |
| LINK | Good | None |
| POL | Correct | Reversed |

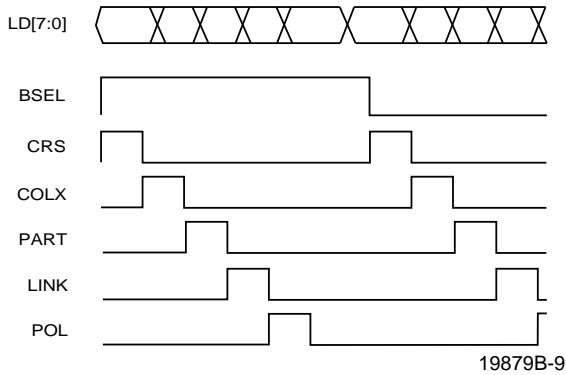


Figure 5. Visual Monitor Signals

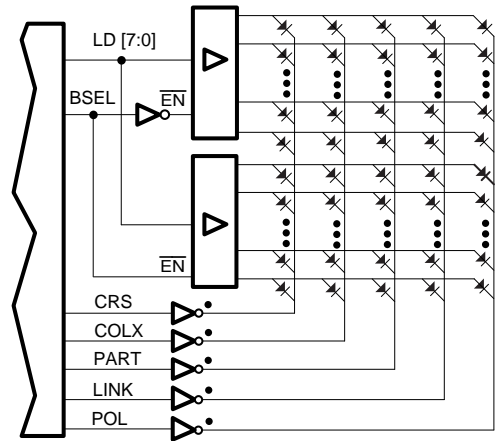
CRS and COLX are the only valid attributes for the Expansion Bus. Therefore, when BSEL is HIGH, LD[6] has the Expansion Bus attribute for CRS and COLX.

Using AUI/RAUI for 10BASE-T Ports

The IMR2 device obtains Link and Polarity status from the serial data interface (SDATA [3:0]). When a single IMR2 device uses four QuIET devices, two of the ports on the fourth QuIET device connect to the AUI and RAUI ports of the IMR2. The two remaining ports on the fourth QuIET device connect to a second IMR2 device. Only the IMR2 device driving the serial interface to this QuIET device has Link and Polarity Status. Therefore, when BSEL is HIGH and either LINK or PART are HIGH, LD[7:6] contains Link Status or Polarity Status, respectively, of ports 2 and 3 of the fourth QuIET device.

If the AUI and RAUI ports are connected to a MAU (other than a QuIET device), LINK actually reports Loopback Error, where 1 indicates no loopback error and 0 indicates a Loopback Error. The state of POL will reflect the received polarity value on SDATA. The recommended implementation is shown in 6. The attribute select pins are connected to open-collector or open-drain inverters. The buffers connected to LD[7:0] have high-impedance outputs. They must source enough current to turn on the LEDs (typically 20 mA). CMOS devices that have a rail-to-rail output are recommended. Also, multiple open-collector inverters can be used in conjunction with multiple drives to overcome maximum current source/drain issues.

CRS and COLX signals are stretched to enhance visual recognition, i.e., they will remain active for some time even if the corresponding condition has expired. Once carrier sense is active, CRS will remain active for a minimum of 4 ms. Once a collision is detected, COLX will remain active for at least 4 ms.



19879B-10

Figure 6. Visual Monitoring Application - Simplified Schematic

Intrusion Protection

The IMR2 device provides protection against intrusion, which is defined here as the unauthorized transmitting of packets onto the network.

Each port has two address registers associated with it: Last Source Address Register and Preferred Source Address Register. Unless it is locked, the Last Source Address Register contains the source address of the previous packet received by that port. The Preferred Source Address Register contains the source address that the system considers valid for that port. Both registers may be written.

If the valid address is known by the system, it may be written into both registers. If it is not known by the system, the Last Source Address Register is monitored by the system. After a packet is received by the port, the source address may be written into the Preferred Source Address Register by the system.

The Last Source Address Register may be locked. If the Last Source Address Register is locked, a mismatch between the packet's source address and the Last Source Address Register will not result in a change in the Last Source Address Register. The only way the register can be changed is by accessing it through the node processor interface. The control register for this is the Last Source Address Lock Register.

The IMR2 device provides two applicable interrupts: Source Address Changed Interrupt and Intruder Interrupt. Both interrupts can be masked on a port-by-port basis. Source Address Changed Interrupt compares the incoming packet's source address against two registers: Last Source Address Register and the Preferred Source Address Register. The interrupt is set when the source address of the incoming packet does not match both registers. Intruder Interrupt compares

the incoming packet's source address with the Preferred Source Address Register. The interrupt is set when there is a mismatch.

If the Automatic Intrusion Control register bit is set, the port is disabled if there is no match between the source address and either valid source address for that port. Valid addresses are determined from the corresponding Preferred Source Address Automatic Intrusion Control Register and Last Source Address Automatic Intrusion Control Register. The selection of these registers as valid addresses is made by the Last Source Address Compare Enable Register and the Preferred Source Address Compare Enable Register. The port is disabled after the FCS field and only if the packet is a valid packet. Once the port is disabled, it can only be enabled by the management software.

Timer Values

Descriptions and values for the various timers are as follows:

| | | |
|----------|--|----------------------|
| Tw1 | Wait Timer for the end of transmit recovery time | 10 bit times |
| Tw2 | Wait Timer for the end of carrier recovery time | 3 bit times |
| Tw3 | Wait Timer for length of continuous output | 65,536 bit times |
| Tw4 | Wait Timer for time to disable output for Jabber Lockup Protection | 96 bit times |
| Tw5 | Wait Timer for length of packet without collision | 452 to 523 bit times |
| Tw6 | Wait Timer for excessive length of collision | 2048 bit times |
| CC-Limit | Number of consecutive collisions which must occur before a segment (port) is partitioned | 32 collisions |

Microprocessor Interface

The IMR2 device implements a simple interface designed to be used by a variety of available microprocessors. The bus interface is asynchronous and can be easily adapted for different hardware interfaces.

The interface protocol is as follows:

1. Assert \overline{CS} (LOW) and C/\overline{D} (HIGH to access control and LOW to access data).
2. Assert \overline{RD} (LOW) to start a read cycle or \overline{WR} (LOW) to start a write cycle.
3. The IMR2 device forces RDY LOW in response to the leading edge of either of \overline{RD} or \overline{WR} .

Note: \overline{CS} is internally gated with \overline{RD} and \overline{WR} , such that \overline{CS} may be permanently grounded if it is not required. A read or write cycle is started when \overline{CS} and either data strobe are asserted (LOW).

Write Cycle:

1. Data is to be placed on the Data (D[7:0]) pins prior to trailing edge of \overline{WR} .
2. The IMR2 device releases RDY (pulled HIGH externally), indicating that it is ready to accept the data.
3. \overline{WR} strobe is de-asserted (HIGH) in response to RDY. The IMR2 device latches data internally on the rising edge of \overline{WR} .
4. The processor can stop driving Data pins after the rising edge of the \overline{WR} .

Many of the registers are two or more bytes long. In these cases, the registers are read or written into by accessing the microprocessor port with C/\overline{D} LOW the same number of times as the byte size of the register.

Read Cycle:

1. The IMR2 device drives Data pins.
2. The IMR2 device releases RDY (pulled HIGH), indicating valid data.
3. De-assert \overline{RD} (HIGH) in response to RDY HIGH.
4. The IMR2 device stops driving Data pins after the trailing edge of \overline{RD} .

The interrupt pin (\overline{INT}) is an open drain output. It is OFF (high impedance) upon reset, when all interrupts are disabled (masked), or when all internal sources of the interrupts are cleared. It is ON (LOW) when any of the enabled interrupts occur. Reading all the internal registers that caused the interrupt clears the internal source of the interrupt, and sets \overline{INT} OFF.

Management Functions

All management functions are accessible through the microprocessor interface. The functions are divided into register banks which are subdivided into attribute registers. A register bank is selected by writing a byte with the format $000P_4P_3P_2P_1P_0$ into the C port, where P_4 through P_0 corresponds to the register bank. The desired attribute register within the selected register bank is selected by writing $111R_4R_3R_2R_1R_0$ into the C port, where R_4 through R_0 corresponds to the attribute register. Data can then be read from or written to the D port.

For registers whose contents are cleared upon reading, reading the first byte will clear the entire register. When writing to registers, all bytes must be written consecutively. If all register bytes are not written, the original contents of the register are left unchanged.

Most of the registers contain status or control information on the individual ports. These registers are each two bytes long. Each bit corresponds to an individual port. Active statistics will be maintained on the data received by DAT only if the EP bit of the Port Enable Register is set and \overline{MACEN} is TRUE.

Unless otherwise indicated, the discussion of registers that are concerned with status or control on the IMR2 device will have the following format.

IMR2 Device Registers

D Port Read/Write

| | | | | | | | | |
|--------|----|------|------|-----|-----|-----|----|----|
| Byte 0 | P7 | P6 | P5 | P4 | P3 | P2 | P1 | P0 |
| Byte 1 | 0 | EP/0 | RAUI | AUI | P11 | P10 | P9 | P8 |

Where:

- P_n refers to a PAUI port.
- AUI refers to the AUI port
- RAUI refers to the RAUI port
- EP refers to the Expansion Bus

Unless otherwise indicated, the discussion of registers that are concerned with status or control on QuIET devices connected to the IMR2 device will have the following format.

QuIET Device Registers

D Port Read/Write

| | | | | | | | | |
|--------|-----|-----|-----|-----|------|------|-----|-----|
| Byte 0 | TP7 | TP6 | TP5 | TP4 | TP3 | TP2 | TP1 | TP0 |
| Byte 1 | SP3 | SP2 | SP1 | SP0 | TP11 | TP10 | TP9 | TP8 |

Where:

- TP_n refers to a TP port on a QuIET device.
- SP_n refers to a QuIET device port connected to the AUI port or PAUI port on this device or to any port on another IMR2 device.

Note: The port on the QuIET device may be connected to a port on another IMR2 device.

Status Register

The Status Register can be accessed at any time by reading the Command Register.

The 8-bit quantity read has the following format:

C Port Read

| | | | | | | | |
|---|---|---|---|---|---|---|---|
| I | E | S | X | B | M | P | L |
|---|---|---|---|---|---|---|---|

- I Interrupt. This bit reflects the state of the \overline{INT} output pin. If this bit is set to 1, then this IMR2 device is driving the \overline{INT} pin. Note that \overline{INT} is an open drain output and that multiple devices may share the same interrupt signal.
- E Transceiver Interface Changed. This bit is set if the interface to at least one SDATA input has changed from a QuIET device to a non-QuIET device or from a non-QuIET device to a QuIET device.
- S Source Address Match. This bit is set if the interrupt is caused by a source address match of the

incoming data packet. This bit remains set until the Source Address Match Status Register is read.

- B Bit Rate Error and Partition. This bit is set if the interrupt is caused by either a bit rate error or a change in the partition status of a port.
- M Source Address Change. This bit is set if the interrupt is caused by a change in the source address or a mismatch between the incoming source address and a preferred address.
- P Polarity and SQE. This bit is set if the interrupt is caused by a change in the SQE test results or a polarity change.
- L Link and Loopback. This bit is set if the interrupt is caused by a link or loopback change.
- X Reserved. The values of reserved bits are indeterminate.

Register Bank 0: Repeater Registers

These registers are accessed by writing the bit pattern 0000 0000 to the C Register. The contents of all attribute counters are indeterminate upon power up.

Source Address Match Register

Address: 1110 1010

D Port Read/Write

| | | | | | | | | |
|--------|--------|--|--|--|--|--|--|--------|
| Byte 0 | bit 7 | | | | | | | bit 0 |
| Byte 1 | | | | | | | | |
| Byte 2 | | | | | | | | |
| Byte 3 | | | | | | | | |
| Byte 4 | | | | | | | | |
| Byte 5 | bit 47 | | | | | | | bit 40 |
| | MSB | | | | | | | LSB |

This is a read/write register. The six bytes are read or written in LOW byte to HIGH byte order. The sequence is (re)started once the C register is programmed for access to this register. This register may be used to track nodes within a LAN by reporting the port that received a packet with a specific source address. The source address field of incoming packets is always compared with the 48-bit quantity stored in this register. The initial value of this register is indeterminate.

The IMR2 indicates a match by setting the corresponding bit in the Source Address Match Interrupt Register of the receiving port. If the Source Address Match Interrupt Enable bit is enabled, then the \overline{INT} output pin is driven LOW. The set bit(s) in the Source Address Match Interrupt Registers are cleared when these registers are read.

Note: Once the sequence is started, all six bytes have to be written or the contents do not change.

Total Octets

Address: 1110 1100

D Port Read/Write

| | | | | | | | | |
|--------|--------|--|--|--|-----|--|--|--------|
| Byte 0 | bit 7 | | | | | | | bit 0 |
| Byte 1 | | | | | | | | |
| Byte 2 | | | | | | | | |
| Byte 3 | bit 31 | | | | | | | bit 24 |
| | MSB | | | | LSB | | | |

This is a 4-byte attribute register whose contents are incremented while the repeater is repeating packet data. This counter is a truncated divide by 8 of the total number of bits transmitted by the repeated (i.e., the number of whole bytes transmitted by the repeater). The counter counts the bytes on all non-collision packets with a valid Start of Frame Delimiter (SFD). The preamble is included in the count. The four bytes in this attribute are sequentially accessed by reading the D register, LSB first. Note that once the C register is programmed for access to this attribute, reading the D register port causes the value of this register to be copied into the holding register. The data is then read off the holding register, without affecting this attribute. This sequence is repeated when the last byte is read and the D register is accessed.

Transmit Collisions

Address: 1110 1101

D Port Read/Write

| | | | | | | | | |
|--------|--------|--|--|--|-----|--|--|--------|
| Byte 0 | bit 7 | | | | | | | bit 0 |
| Byte 1 | | | | | | | | |
| Byte 2 | | | | | | | | |
| Byte 3 | bit 31 | | | | | | | bit 24 |
| | MSB | | | | LSB | | | |

This is a 4-byte attribute whose contents are incremented each time the repeater has entered the transmit collision state from any state other than ONE PORT LEFT. The bytes are read in LOW to HIGH order by reading the Data (D) register consecutively. The sequence will be restarted once the last byte is read or the C register is reprogrammed with this register number. This causes the current value of the counter to be copied into a holding register, which is then read by accessing the D register.

Configuration Register

Address: 1111 0000

This is a read/write register. The value read is the same as that written. Unused bits are read as zeros and only zeros should be written into these bits. Do not write non-zero values into unused bits. All bits are cleared upon reset.

D Port Read/Write

| | | | | | | | |
|-----|---|---|---|-----|---|---|---|
| I | 0 | S | 0 | 0 | 0 | 0 | 0 |
| MSB | | | | LSB | | | |

- I Enable Interrupts. When this bit is set to 0 all interrupts from this IMR2 device are masked (but not cleared) and the INT output pin is forced into inactive state (not driven).
- S Source Address Match Interrupt Enable. When this bit is set, IMR2 device will generate an interrupt if the Source Address of the received packet matches that which is programmed into the Source Address Match Register.

Repeater Status

Address: 1111 1010

This is a read only register. Bit 0 is the only bit of interest. When bit 0 is set, the IMR2 device has entered MAU Jabber Lockup Protection (MJLP). The Repeater Status register is cleared by reading.

D Port Read

| | | | | | | | |
|-----|---|---|---|---|---|---|-----|
| 0 | 0 | 0 | 0 | 0 | 0 | 0 | E |
| MSB | | | | | | | LSB |

| E | Status |
|---|----------|
| 0 | No Error |
| 1 | Error |

QuIET Device Transceiver ID Register

Address: 1111 1011

This is a read-only register. It contains the transceiver ID of the QuIET device connected to the IMR2 device. The 16-bit quantity has the following format:

D Port Read

| | | | | | | | | |
|--------|-----------------|-----------------|-----------------|-----------------|-----------------|-----------------|-----------------|-----------------|
| | Transceiver 1 | | | | Transceiver 0 | | | |
| Byte 0 | M ₁₃ | M ₁₂ | M ₁₁ | M ₁₀ | M ₀₃ | M ₀₂ | M ₀₁ | M ₀₀ |
| | Transceiver 3 | | | | Transceiver 2 | | | |
| Byte 1 | M ₃₃ | M ₃₂ | M ₃₁ | M ₃₀ | M ₂₃ | M ₂₂ | M ₂₁ | M ₂₀ |
| | MSB | | | | LSB | | | |

| | |
|---------------|-----------------------------|
| Transceiver 0 | PAUI [3:0] |
| Transceiver 1 | PAUI [7:4] |
| Transceiver 2 | PAUI [11:8] |
| Transceiver 3 | AUI and RAUI ports or misc. |

This 16-bit register is divided into four sections. Each section is labeled M_{X3} to M_{X0} where X refers to transceivers 0 through 3. These register bits are only valid if the appropriate Transceiver Interface Status Register bit indicates that a QuIET device is connected.

| M _{X3-X0} | Transceiver |
|--------------------|-----------------|
| 0 | QuiET Device ID |
| 1 to 15 | Reserved |

Repeater Device and Revision Register

Address: 1111 1100

This is a read only register. The 8-bit quantity read has the following format:

D Port Read

| | | | | | | | |
|-----|----|----|----|-----|----|----|----|
| D3 | D2 | D1 | D0 | V3 | V2 | V1 | V0 |
| MSB | | | | LSB | | | |

D Device Type. These bits contain the IMR2 device code.

D3-0 0010 IMR2

V Revision Number. These bits contain the revision number. Software may interrogate these bits to determine additional features that may be available with future versions of the device.

V3-0 0000 Revision 0

Device Configuration

Address: 1111 1101

This is a read/write register. When this register is written, zeros must be written into unassigned fields. The 8-bit quantity has the following format:

D Port Read/Write

| | | | | | | | |
|-----|---|---|---|-----|---|---|---|
| R | M | A | 0 | 0 | 0 | 0 | 0 |
| MSB | | | | LSB | | | |

R Repeater Reset. Setting Bit R resets the registers, repeater, and MAC engine. It is the functional equivalent of hardware reset, with the exception that the microprocessor interface is not reset and the ability to access RMON and port attribute registers is maintained.

M Management Reset. Setting this bit causes the MAC engine to be reset. When the M bit is set, the IMR2 device still functions as a repeater, however MIB tracking is disabled. Setting this bit also allows the RMON registers and the attribute registers to be preset by software.

A This bit configures the RAUI port. The configuration options are:

- 0 Normal Mode. The RAUI port is configured as a standard AUI port.
- 1 Reverse Mode. RCI is an output, i.e., RCI generates a 10-MHz signal during a collision.

Register Bank 1: Interrupts

When a bit on an interrupt register is set, the interrupt bit on the Status Register is set and the INT pin is driven. These registers are accessed by writing the bit

pattern 0000 0001 to the C Register. These registers are read only and are cleared to 0 upon reading. When all the interrupt registers are clear (all bits zero), the interrupt bit of the Status Register and INT are cleared.

Note that for each interrupt register there is a corresponding interrupt enable register. The bits on the interrupt register cannot set unless the corresponding bits on the corresponding interrupt enable register are set.

Port Partition Status Change Interrupt

Address: 1110 0000

Any port changing state between partitioned and reconnected causes the appropriate register bit to be set to 1.

The format is as follows:

D Port Read

| | | | | | | | | |
|--------|----|----|------|-----|-----|-----|----|----|
| Byte 0 | P7 | P6 | P5 | P4 | P3 | P2 | P1 | P0 |
| Byte 1 | 0 | 0 | RAUI | AUI | P11 | P10 | P9 | P8 |
| MSB | | | | LSB | | | | |

- Pn/AUI/RAUI 0 Partition status of corresponding port unchanged
- 1 Partition status of corresponding port changed

Runs with Good FCS Interrupt

Address: 1110 0001

Any port receiving a packet that is less than 64 octets (not including preamble and SFD), but is otherwise well formed and error free, causes the appropriate bit to be set. The format is as follows:

D Port Read

| | | | | | | | | |
|--------|----|----|------|-----|-----|-----|----|----|
| Byte 0 | P7 | P6 | P5 | P4 | P3 | P2 | P1 | P0 |
| Byte 1 | 0 | EP | RAUI | AUI | P11 | P10 | P9 | P8 |
| MSB | | | | LSB | | | | |

- Pn/AUI/RAUI/EP 0 No runs with valid FCS
- 1 Runt with valid FCS

Link Status Change Interrupt

Address: 1110 0010

A change in the Link Test state of a twisted pair port associated with a repeater port (from fail to pass or pass to fail) causes the appropriate bit to be set in this register. This register is only valid when a QuiET device is connected to the corresponding port(s).

D Port Read

| | | | | | | | | |
|--------|-----|-----|-----|-----|------|------|-----|-----|
| Byte 0 | TP7 | TP6 | TP5 | TP4 | TP3 | TP2 | TP1 | TP0 |
| Byte 1 | SP3 | SP2 | SP1 | SP0 | TP11 | TP10 | TP9 | TP8 |
| MSB | | | | LSB | | | | |

Pn/AUI/RAUI/EP 0 No match
 1 Source address matches the Source Address Match Register

Note: This function is useful for mapping stations to ports in a network.

Data Rate Mismatch Interrupt

Address: 1110 1010

A bit is set when the data received by the corresponding port has caused an overflow or underflow of the FIFO. This bit is not set unless the received packet, after SFD, is at least 512 bits long and collision did not occur

D Port Read

| | | | | | | | | |
|--------|-----|----|------|-----|-----|-----|----|----|
| Byte 0 | P7 | P6 | P5 | P4 | P3 | P2 | P1 | P0 |
| Byte 1 | 0 | EP | RAUI | AUI | P11 | P10 | P9 | P8 |
| | MSB | | | | LSB | | | |

Pn/AUI/RAUI/EP 0 No error
 1 Data rate error

Transceiver Interface Status

Address: 1110 1111

If a QuIET transceiver is not hardware connected, the corresponding bit on the register is set.

D Port Read

| | | | | | | | |
|-----|---|---|---|-----|----|----|----|
| X | X | X | X | Q3 | Q2 | Q1 | Q0 |
| MSB | | | | LSB | | | |

QuIET 0 (Q0) PAUI [3:0]
 QuIET 1 (Q1) PAUI [7:4]
 QuIET 2 (Q2) PAUI [11:8]
 QuIET 3 (Q3) AUI and RAUI ports

Qn 0 QuIET device is connected
 1 Non-QuIET transceiver is connected

Transceiver Interface Change Interrupt

Address: 1111 0000

If the device changes from a QuIET device to another type of transceiver or from a non-QuIET device to a QuIET device, the corresponding bit on the register is set.

D Port Read

| | | | | | | | |
|-----|---|---|---|-----|----|----|----|
| X | X | X | X | Q3 | Q2 | Q1 | Q0 |
| MSB | | | | LSB | | | |

QuIET 0 (Q0)PAUI [3:0]

QuIET 1 (Q1) PAUI [7:4]
 QuIET 2 (Q2) PAUI [11:8]
 QuIET 3 (Q3) AUI and RAUI ports

Qn 0 No change of transceiver type
 1 Change of transceiver type

Jabber Interrupt

Address: 1111 0001

A bit on this register is set if the transceiver connected to the corresponding port detects jabber.

D Port Read

| | | | | | | | | |
|--------|-----|-----|-----|-----|------|------|-----|-----|
| Byte 0 | TP7 | TP6 | TP5 | TP4 | TP3 | TP2 | TP1 | TP0 |
| Byte 1 | SP3 | SP2 | SP1 | SP0 | TP11 | TP10 | TP9 | TP8 |
| | MSB | | | | LSB | | | |

TPn/SPn 0 Port does not jabber
 1 Port in jabber

Register Bank 2: Interrupt Control Registers

These registers are accessed by writing the bit pattern 0000 0010 to the C Register. All registers can be read from as well as written to. A set (1) control bit enables an interrupt or function of the corresponding port. All control registers are cleared upon reset. Also, all interrupts are disabled and all status bits are cleared upon hardware reset.

Partition Status Change Interrupt Enable

Address: 1110 0000

This register is used to enable or mask interrupts caused by a change in the Port Partitioning Status. Note that if this is the only cause for the interrupt, disabling an active interrupt source causes the \overline{INT} output to be placed into an inactive state. Software should be designed to write zeros into unused bits.

D Port Read/Write

| | | | | | | | | |
|--------|-----|----|------|-----|-----|-----|----|----|
| Byte 0 | P7 | P6 | P5 | P4 | P3 | P2 | P1 | P0 |
| Byte 1 | 0 | 0 | RAUI | AUI | P11 | P10 | P9 | P8 |
| | MSB | | | | LSB | | | |

Pn/AUI/RAUI 0 Partition Status Change Interrupt masked (disabled)
 1 Partition Status Change Interrupt enabled

Runs with Good FCS Interrupt Enable

Address: 1110 0001

This register is used to enable or mask interrupts caused by a port receiving a packet that is less than 64 octets (not including preamble and SFD), but is otherwise well formed and error free.

D Port Read/Write

| | | | | | | | | |
|--------|-----|----|------|-----|-----|-----|----|----|
| Byte 0 | P7 | P6 | P5 | P4 | P3 | P2 | P1 | P0 |
| Byte 1 | 0 | EP | RAUI | AUI | P11 | P10 | P9 | P8 |
| | MSB | | | | LSB | | | |

- Pn/AUI/RAUI/EP 0 Runt with Valid FCS Interrupt masked (disabled)
- 1 Runt with Valid FCS Interrupt enabled

Link Status Change Interrupt Enable

Address: 1110 0010

Setting any of the bits in this register causes the \overline{INT} pin to be driven when there is a change in the Link Test state of the corresponding port. The corresponding status bit in the Link Test State Change Register is set to 1.

D Port Read/Write

| | | | | | | | | |
|--------|-----|-----|-----|-----|------|------|-----|-----|
| Byte 0 | TP7 | TP6 | TP5 | TP4 | TP3 | TP2 | TP1 | TP0 |
| Byte 1 | SP3 | SP2 | SP1 | SP0 | TP11 | TP10 | TP9 | TP8 |
| | MSB | | | | LSB | | | |

- TPn/SPn 0 Link Status Change Interrupt masked (disabled)
- 1 Link Status Change Interrupt enabled

Loopback Error Change Interrupt Enable

Address: 1110 0011

Setting a bit in this register causes an interrupt to be generated when the IMR2 device senses a change in the Loop Back Error condition on the corresponding port.

D Port Read/Write

| | | | | | | | | |
|--------|-----|----|------|-----|-----|-----|----|----|
| Byte 0 | P7 | P6 | P5 | P4 | P3 | P2 | P1 | P0 |
| Byte 1 | 0 | 0 | RAUI | AUI | P11 | P10 | P9 | P8 |
| | MSB | | | | LSB | | | |

- Pn/AUI/RAUI 0 Loopback Error Change Interrupt masked (disabled)
- 1 Loopback Error Change Interrupt enabled

Polarity Change Interrupt Enable

Address: 1110 0100

Setting a bit in this register causes an interrupt to be generated when the polarity of the connected port is changed.

D Port Read

| | | | | | | | | |
|--------|-----|-----|-----|-----|------|------|-----|-----|
| Byte 0 | TP7 | TP6 | TP5 | TP4 | TP3 | TP2 | TP1 | TP0 |
| Byte 1 | SP3 | SP2 | SP1 | SP0 | TP11 | TP10 | TP9 | TP8 |
| | MSB | | | | LSB | | | |

- TPn/SPn 0 Polarity Change Interrupt masked (disabled)
- 1 Polarity Change Interrupt enabled

SQE Test Error Change Interrupt Enable

Address: 1110 0101

Setting a bit in this register causes an interrupt to be generated when the IMR2 device senses a change in the SQE Test Error condition at a port. This occurs when an attached MAU has SQE Test enabled. A new interrupt is generated when a condition change is sensed by the IMR2 device.

D Port Read/Write

| | | | | | | | | |
|--------|-----|----|------|-----|-----|-----|----|----|
| Byte 0 | P7 | P6 | P5 | P4 | P3 | P2 | P1 | P0 |
| Byte 1 | 0 | 0 | RAUI | AUI | P11 | P10 | P9 | P8 |
| | MSB | | | | LSB | | | |

- Pn/AUI/RAUI 0 SQE Test Error Change Interrupt masked (disabled)
- 1 SQE Test Error Change Interrupt enabled

Source Address Changed Interrupt Enable

Address: 1110 0110

This register enables interrupts caused by a mismatch between the source address of an incoming packet and either the Last Source Address Register or the Preferred Source Address Register. If Last Source Address Lock is not set and the packet is a valid packet, a mismatch between the source address and the Last Source Address Register also causes the new source address to be written into the Last Source Address Register.

D Port Read/Write

| | | | | | | | | |
|--------|-----|----|------|-----|-----|-----|----|----|
| Byte 0 | P7 | P6 | P5 | P4 | P3 | P2 | P1 | P0 |
| Byte 1 | 0 | EP | RAUI | AUI | P11 | P10 | P9 | P8 |
| | MSB | | | | LSB | | | |

- Pn/AUI/RAUI/EP 0 Source Address Changed Interrupt masked (disabled)
- 1 Source Address Changed Interrupt enabled

Intruder Interrupt Enable

Address: 1110 0111

This register enables interrupts to be generated when the source address of an incoming packet does not match the Preferred Source Address Register on the corresponding port. The corresponding interrupt can be interpreted as an attempt by an intruder to gain access to the network. The management system can then take appropriate action, such as disabling the corresponding port.

D Port Read/Write

| | | | | | | | | |
|--------|-----|----|------|-----|-----|-----|----|----|
| Byte 0 | P7 | P6 | P5 | P4 | P3 | P2 | P1 | P0 |
| Byte 1 | 0 | EP | RAUI | AUI | P11 | P10 | P9 | P8 |
| | MSB | | | | LSB | | | |

- Pn/AUI/RAUI 0 Intruder Interrupt masked (disabled)
- 1 Intruder Interrupt enabled

Multicast Address Pass Enable

Address: 1110 1001

Setting EP disables packet compression on packets with multicast addresses.

D Port Read/Write

| | | | | | | | | |
|--------|-----|----|---|---|-----|---|---|---|
| Byte 0 | 0 | 0 | 0 | 0 | 0 | 0 | 0 | 0 |
| Byte 1 | 0 | EP | 0 | 0 | 0 | 0 | 0 | 0 |
| | MSB | | | | LSB | | | |

- EP 0 Packet compression on packets with multicast addresses is enabled
- 1 Packet compression on packets with multicast addresses is disabled

Note: Zeros should be written to all register bits except the EP bit.

Data Rate Mismatch Interrupt Enable

Address: 1110 1010

The IMR2 device can generate an interrupt if received data is outside the data rate tolerances. Setting a bit enables the Data Rate Mismatch Interrupt control of the corresponding port.

D Port Read/Write

| | | | | | | | | |
|--------|-----|----|------|-----|-----|-----|----|----|
| Byte 0 | P7 | P6 | P5 | P4 | P3 | P2 | P1 | P0 |
| Byte 1 | 0 | EP | RAUI | AUI | P11 | P10 | P9 | P8 |
| | MSB | | | | LSB | | | |

- Pn/AUI/RAUI/EP 0 Data Rate Mismatch Interrupt masked (disabled)
- 1 Data Rate Mismatch Interrupt enabled

Last Source Address Compare Enable

Address: 1110 1100

Setting the EP bit in this register enables a comparison of the destination address of an incoming packet to the Last Source Address Register for the expansion port. Packet compression is disabled when the destination address matches the Last Source Address Register.

D Port Read/Write

| | | | | | | | | |
|--------|-----|----|---|---|-----|---|---|---|
| Byte 0 | 0 | 0 | 0 | 0 | 0 | 0 | 0 | 0 |
| Byte 1 | 0 | EP | 0 | 0 | 0 | 0 | 0 | 0 |
| | MSB | | | | LSB | | | |

- EP 0 Last Source Address Compare masked (disabled)
- 1 Last Source Address Compare enabled

Note: Zeros should be written to all register bits except the EP bit.

Preferred Address Compare Enable

Address: 1110 1111

Setting the EP bit in this register enables a comparison of the destination address of an incoming packet to the Preferred Address Register for the expansion port. Packet compression is disabled when the destination address matches the Preferred Address Register.

D Port Read/Write

| | | | | | | | | |
|--------|-----|----|---|---|-----|---|---|---|
| Byte 0 | 0 | 0 | 0 | 0 | 0 | 0 | 0 | 0 |
| Byte 1 | 0 | EP | 0 | 0 | 0 | 0 | 0 | 0 |
| | MSB | | | | LSB | | | |

- EP 0 Preferred Source Address Compare disabled
- 1 Preferred Source Address Compare enabled

Note: Zeros should be written to all register bits except the EP bit.

Transceiver Interface Changed Interrupt Enable

Address: 1111 0000

When a bit is set, an interrupt is generated if the device connected to the corresponding port changes from a QUIET device to a non-QUIET device or from a non-QUIET device to a QUIET device.

D Port Read/Write

| | | | | | | | |
|-----|---|---|---|-----|----|----|----|
| X | X | X | X | Q3 | Q2 | Q1 | Q0 |
| MSB | | | | LSB | | | |

- Transceiver 0 PAUI [3:0]
- Transceiver 1 PAUI [7:4]
- Transceiver 2 PAUI [11:8]
- Transceiver 3 AUI and RAUI ports
- Qn 0 Device Connection Changed Test masked (disabled)
- 1 Device Connection Changed Test enabled

Jabber Interrupt Enable

Address: 1111 0001

When a bit in this register is set, an indication of jabber from a port will cause an interrupt.

D Port Read/Write

| | | | | | | | | |
|--------|-----|-----|-----|-----|------|------|-----|-----|
| Byte 0 | TP7 | TP6 | TP5 | TP4 | TP3 | TP2 | TP1 | TP0 |
| Byte 1 | SP3 | SP2 | SP1 | SP0 | TP11 | TP10 | TP9 | TP8 |
| | MSB | | | | LSB | | | |

- TPn/SPn 0 Jabber Interrupt masked (disabled)
- 1 Jabber Interrupt enabled

Register Bank 3: Port Control Registers

These registers are accessed by writing the bit pattern 0000 0011 into the C register. All registers can be read from as well as written to.

Alternative Reconnection Algorithm Enable

Address: 1110 0000

The AUI Partitioning/Reconnection state machine can be programmed for the alternative reconnection algorithm (transmit only). On reset, this register defaults to the standard reconnection algorithm.

D Port Read/Write

| | | | | | | | | |
|--------|-----|----|------|-----|-----|-----|----|----|
| Byte 0 | P7 | P6 | P5 | P4 | P3 | P2 | P1 | P0 |
| Byte 1 | 0 | 0 | RAUI | AUI | P11 | P10 | P9 | P8 |
| | MSB | | | | LSB | | | |

Pn/AUI/RAUI 0 Standard Reconnection Algorithm
 1 Alternative Reconnection Algorithm

Link Test Enable

Address 1110 0010

Setting a bit in this register enables the Link Test function for the corresponding port. This is only in effect when the IMR2 device is interfaced to a QuiET device. On reset, this register defaults to Link Test Enabled.

D Port Read/Write

| | | | | | | | | |
|--------|-----|-----|-----|-----|------|------|-----|-----|
| Byte 0 | TP7 | TP6 | TP5 | TP4 | TP3 | TP2 | TP1 | TP0 |
| Byte 1 | SP3 | SP2 | SP1 | SP0 | TP11 | TP10 | TP9 | TP8 |
| | MSB | | | | LSB | | | |

TPn/SPn 0 Link Test Function disabled
 1 Link Test Function enabled

Link Pulse Transmit Enable

Address: 1110 0011

Setting a bit in this register enables the corresponding port to transmit a Link Test Pulse. This is only in effect when the IMR2 device is interfaced to a QuiET device. On reset, this register defaults to Link Test Pulse Transmit enabled.

D Port Read/Write

| | | | | | | | | |
|--------|-----|-----|-----|-----|------|------|-----|-----|
| Byte 0 | TP7 | TP6 | TP5 | TP4 | TP3 | TP2 | TP1 | TP0 |
| Byte 1 | SP3 | SP2 | SP1 | SP0 | TP11 | TP10 | TP9 | TP8 |

TPn/SPn 0 Link Test Pulse Transmit disabled
 1 Link Test Pulse Transmit enabled

Automatic Receiver Polarity Reversal Enable

Address 1110 0100

Setting a bit in this register enables the QuiET device to automatically invert the receive signal following detection of the first packet with inverted polarity. This is done

once after reset or link fail. On reset, this register defaults to Automatic Receiver Polarity Reversal disabled.

D Port Read/Write

| | | | | | | | | |
|--------|-----|-----|-----|-----|------|------|-----|-----|
| Byte 0 | TP7 | TP6 | TP5 | TP4 | TP3 | TP2 | TP1 | TP0 |
| Byte 1 | SP3 | SP2 | SP1 | SP0 | TP11 | TP10 | TP9 | TP8 |
| | MSB | | | | LSB | | | |

TPn/SPn 0 Automatic Receiver Polarity Reversal disabled
 1 Automatic Receiver Polarity Reversal enabled

SQE Mask Enable

Address: 1110 0101

Setting a bit in this register allows the corresponding port to ignore activity on CI during the SQE test window following a transmission on that port. The SQE test window is defined by ANSI/IEEE 802.3, Section 7.2.2.2.4 as 6-bit times to 31-bit times following the end of the packet. Note that the SQE Mask does not affect reporting SQE tests on the SQE Status Register and the SQE Test Change Interrupt Register. On reset, this register defaults to SQE Test Mask disabled.

D Port Read/Write

| | | | | | | | | |
|--------|-----|----|------|-----|-----|-----|----|----|
| Byte 0 | P7 | P6 | P5 | P4 | P3 | P2 | P1 | P0 |
| Byte 1 | 0 | 0 | RAUI | AUI | P11 | P10 | P9 | P8 |
| | MSB | | | | LSB | | | |

Pn/AUI/RAUI 0 SQE Test Mask disabled
 1 SQE Test Mask enabled

Port Enable/Disable

Address 1110 0110

Setting a bit in this register enables the corresponding port. On reset, the ports default to enabled.

D Port Read/Write

| | | | | | | | | |
|--------|-----|----|------|-----|-----|-----|----|----|
| Byte 0 | P7 | P6 | P5 | P4 | P3 | P2 | P1 | P0 |
| Byte 1 | 0 | EP | RAUI | AUI | P11 | P10 | P9 | P8 |
| | MSB | | | | LSB | | | |

Pn/AUI/RAUI 0 Disable the corresponding port
 1 Enable the corresponding port

Setting the EP bit will not disable the expansion bus. However, if the EP bit is not set, data carried on the expansion bus that is addressed to a MAC will not be counted in the MIB attributes.

Port Switching Control

Address: 1110 0111

Setting a bit in this register isolates the corresponding port. All input signals to the corresponding port and all information concerning port activity from the transceiver

are ignored. This feature is useful when implementing port switching. The IMR2 device connected to the QuiET device serial interface will still report correct status on the Link and Polarity LEDs. The ports default to the XENA value on reset.

D Port Read/Write

| | | | | | | | | | |
|--------|-----|----|------|-----|-----|-----|----|----|-----|
| Byte 0 | P7 | P6 | P5 | P4 | P3 | P2 | P1 | P0 | |
| Byte 1 | 0 | 0 | RAUI | AUI | P11 | P10 | P9 | P8 | |
| | MSB | | | | | | | | LSB |

- Pn/AUI/RAUI 0 Isolate the corresponding port
 1 Connect the corresponding port

Note: If a port is isolated during an incoming or transmitted packet, repeating the packet is immediately stopped. If a port is connected during an incoming packet, the actual connection is delayed until after the end of the packet. If a port is connected while the IMR2 device is repeating a packet, the connection is made immediately.

Extended Distance Enable

Address: 1110 1000

Setting a bit on this register lowers the input threshold on RXD of the corresponding QuiET transceiver. This allows the use of a twisted pair cable longer than 100 meters. This register is only in effect if the corresponding port is connected to a QuiET device. On reset, this register defaults to Extended Distance Option disabled.

D Port Read/Write

| | | | | | | | | | |
|--------|-----|-----|-----|-----|------|------|-----|-----|-----|
| Byte 0 | TP7 | TP6 | TP5 | TP4 | TP3 | TP2 | TP1 | TP0 | |
| Byte 1 | SP3 | SP2 | SP1 | SP0 | TP11 | TP10 | TP9 | TP8 | |
| | MSB | | | | | | | | LSB |

- TPn/SPn 0 Extended Distance Option disabled
 1 Extended Distance Option enabled

Automatic Last Source Address Intrusion Control

Address: 1110 1001

Automatic Intrusion Control disables a port automatically when a valid packet (no errors) is received with a source address which is not a valid address for that port. Before a bit on this register is set, the corresponding Last Source Address Register should contain a valid address for that port. On reset, this register defaults to Automatic Intrusion Control with Last Source Address disabled. See note under *Automatic Preferred Source Address Intrusion Control*.

D Port Read/Write

| | | | | | | | | | |
|--------|-----|----|------|-----|-----|-----|----|----|-----|
| Byte 0 | P7 | P6 | P5 | P4 | P3 | P2 | P1 | P0 | |
| Byte 1 | 0 | 0 | RAUI | AUI | P11 | P10 | P9 | P8 | |
| | MSB | | | | | | | | LSB |

- Pn/AUI/RAUI 0 Automatic Intrusion Control with Last Source Address disabled
 1 Automatic Intrusion Control with Last Source Address enabled

Automatic Preferred Source Address Intrusion Control

Address: 1110 1010

Automatic Intrusion Control disables a port automatically when a valid packet (no errors) is received with a source address which is not a valid address for that port. Before a bit on this register is set, the corresponding Preferred Address register should contain a valid address for that port. On reset, this register defaults to Automatic Intrusion Control with Preferred Source Address disabled.

D Port Read/ Write

| | | | | | | | | | |
|--------|-----|----|------|-----|-----|-----|----|----|-----|
| Byte 0 | P7 | P6 | P5 | P4 | P3 | P2 | P1 | P0 | |
| Byte 1 | 0 | 0 | RAUI | AUI | P11 | P10 | P9 | P8 | |
| | MSB | | | | | | | | LSB |

- Pn/AUI/RAUI 0 Automatic Intrusion Control with Preferred Source Address disabled
 1 Automatic Intrusion Control with Preferred Source Address enabled

Note: The *Automatic Preferred Source Address Intrusion Control Register* and the *Automatic Last Source Address Intrusion Control Register* work together. If intrusion on a port is not enabled on either register, intrusion control is not performed for that port. If intrusion on a port is enabled on only one of the intrusion control registers, intrusion control is based on the corresponding enabled register. If intrusion on a port is enabled on both intrusion control registers, the port is disabled if the source address fails to match both the Last Source Address Register and the Preferred Source Address Register.

Last Source Address Lock Control

Address: 1110 1011

Whenever the source address of an incoming packet is different from the Last Source Address Register, the new source address is written into the Last Source Address Register. Setting a bit on this register disables automatic updating of the Last Source Address Register based on the last received packet. The Last Source Address Register can still be written into via the node processor interface. On reset, this register defaults to Last Source Address Lock disabled. Note that a repeater that uses Last Source Address Lock Control will not comply with IETF RFC 1516.

D Port Read/Write

| | | | | | | | | | |
|--------|-----|----|------|-----|-----|-----|----|----|-----|
| Byte 0 | P7 | P6 | P5 | P4 | P3 | P2 | P1 | P0 | |
| Byte 1 | 0 | EP | RAUI | AUI | P11 | P10 | P9 | P8 | |
| | MSB | | | | | | | | LSB |

| | | |
|----------------|---|-----------------------------------|
| Pn/AUI/RAUI/EP | 0 | Last Source Address Lock disabled |
| | 1 | Last Source Address Lock enabled |

Note: Setting a bit on this register invalidates the corresponding Source Address Changes Register.

Register Bank 4: Port Status Registers

These registers are accessed by writing 0000 0100 to the C register.

Partitioning Status of Ports

Address: 1110 0000

These bits indicate the partition status of the corresponding ports. Ports that are partitioned will transmit packets. However, the IMR2 device will not repeat packets received by a partitioned port.

D Port Read

| | | | | | | | | |
|--------|-----|----|------|-----|-----|-----|----|----|
| Byte 0 | P7 | P6 | P5 | P4 | P3 | P2 | P1 | P0 |
| Byte 1 | 0 | 0 | RAUI | AUI | P11 | P10 | P9 | P8 |
| | MSB | | | | LSB | | | |

| | | |
|-------------|---|------------------|
| Pn/AUI/RAUI | 0 | Port partitioned |
| | 1 | Port connected |

Link Test Status of Ports

Address: 1110 0010

The register bits indicate the Link Test Status of the corresponding ports. The bit setting is based on data received by the QuiET device. Therefore, the bit setting is invalid if a non-QuiET transceiver is used for the port.

D Port Read

| | | | | | | | | |
|--------|-----|-----|-----|-----|------|------|-----|-----|
| Byte 0 | TP7 | TP6 | TP5 | TP4 | TP3 | TP2 | TP1 | TP0 |
| Byte 1 | SP3 | SP2 | SP1 | SP0 | TP11 | TP10 | TP9 | TP8 |
| | MSB | | | | LSB | | | |

| | | |
|---------|---|------------------|
| TPn/SPn | 0 | Link Test failed |
| | 1 | Link Test passed |

Loopback Error Status

Address: 1110 0011

When a packet is transmitted, the DO signal is looped back to the IMR2 device through the corresponding DI pins. When a bit on this register is set, data is not being looped back to the IMR2 device.

D Port Read

| | | | | | | | | |
|--------|-----|----|------|-----|-----|-----|----|----|
| Byte 0 | P7 | P6 | P5 | P4 | P3 | P2 | P1 | P0 |
| Byte 1 | 0 | 0 | RAUI | AUI | P11 | P10 | P9 | P8 |
| | MSB | | | | LSB | | | |

| | | |
|-------------|---|-------------------|
| Pn/AUI/RAUI | 0 | No Loopback Error |
| | 1 | Loopback Error |

Note: The RAUI bit is not valid when the RAUI port is in the reverse mode.

Receive Polarity Status

Address: 1110 0100

Each register bit represents the receive polarity status of the corresponding port. The bit setting is based on data received from the QuiET device through the serial interface. If another transceiver device is used, the bit setting reflects what is on the corresponding SDATA.

D Port Read

| | | | | | | | | |
|--------|-----|-----|-----|-----|------|------|-----|-----|
| Byte 0 | TP7 | TP6 | TP5 | TP4 | TP3 | TP2 | TP1 | TP0 |
| Byte 1 | SP3 | SP2 | SP1 | SP0 | TP11 | TP10 | TP9 | TP8 |
| | MSB | | | | LSB | | | |

| | | |
|---------|---|-------------------|
| TPn/SPn | 0 | Polarity correct |
| | 1 | Polarity reversed |

SQE Test Status

Address: 1110 0101

These register bits reflect the status of the last packet received from the corresponding port. The RAUI bit is not valid when the RAUI port is in the reverse mode.

D Port Read

| | | | | | | | | |
|--------|-----|----|------|-----|-----|-----|----|----|
| Byte 0 | P7 | P6 | P5 | P4 | P3 | P2 | P1 | P0 |
| Byte 1 | 0 | 0 | RAUI | AUI | P11 | P10 | P9 | P8 |
| | MSB | | | | LSB | | | |

| | | |
|-------------|---|-------------------|
| Pn/AUI/RAUI | 0 | No SQE Test Error |
| | 1 | SQE Test Error |

Register Bank 5: RMON Registers

The RMON registers can be accessed by writing to address 0000 0101 and then accessing the individual registers. The RMON registers are 32-bit counters and comply with etherStatsEntry of the statistics group of the RMON MIB (RFC 1757) or etherHistoryEntry of the History group of RFC 1757. They are 4 bytes long and are read low order byte to high order byte.

The RMON registers can usually only be read. However, they can be written to when the Repeater Reset bit or the Management Reset bit on the Device Configuration Register is set.

etherStatsOctets

Address: 1110 0000

The value in this register represents the total number of octets received (excluding preamble bits, but including FCS bits) by the IMR2 device.

etherStatsPkts

Address: 1110 0001

The value in this register represents the total number of packets received by the IMR2 device.

etherStatsBroadcastPkts

Address: 1110 0010

The value in this register represents the total number of valid packets received that were addressed to a broadcast address.

etherStatsMulticastPkts

Address: 1110 0011

The value in this register represents the total number of valid packets received that were addressed to a multicast address.

etherStatsCRCAAlignErrors

Address: 1110 0100

The value in this register represents the total number of packets received that were between 64 and 1518 octets, inclusive, and had either FCS errors or alignment errors.

etherStatsUndersizePkts

Address: 1110 0101

The value in this register represents the total number of packets received that were less than 64 octets long, but were otherwise error free.

etherStatsOversizePkts

Address: 1110 0110

The value in this register represents the total number of packets received that were greater than 1518 octets long, but were otherwise error free.

etherStatsFragments

Address: 1110 0111

The value in this register represents the total number of packets received that were less than 64 octets long, not including the preamble or SFD, and had either an FCS error or an alignment error.

etherStatsJabbers

Address: 1110 1000

The value in this register represents the total number of packets that were greater than 1518 octets long and had either FCS errors or alignment errors.

Note: This differs from the IEEE definition of Jabber.

etherStatsCollisions

Address: 1110 1001

The value in this register represents the total number of collisions on the IMR2 device.

etherStats64Octets

Address: 1110 1010

The value in this register represents the total number of packets (including error packets) that were 64 octets long.

etherStats65to127Octets

Address: 1110 1011

The value in this register represents the total number of packets (including error packets) that were 65 octets to 127 octets long inclusive.

etherStats128to255Octets

Address: 1110 1100

The value in this register represents the total number of packets (including error packets) that were 128 octets to 255 octets long inclusive.

etherStats256to511Octets

Address: 1110 1101

The value in this register represents the total number of packets (including error packets) that were 256 octets to 511 octets long inclusive.

etherStats512to1023Octets

Address: 1110 1110

The value in this register represents the total number of packets (including error packets) that were 512 octets to 1023 octets long inclusive.

etherStats1024to1518Octets

Address: 1110 1111

The value in this register represents the total number of packets (including error packets) that were 1024 octets to 1518 octets long inclusive.

Activity

Address: 1111 0000

The value in this register represents the total number of octets that were active on the IMR2 device.

Register Bank 7: Management Support

These registers control packet compression and error sampling. The Management Support Registers can be accessed by writing 0000 0111 to the C Register and then writing the register address to the C Register.

Device ID

Address: 1110 0000

The Device ID Register is a read/write register. It is an 8-bit register and contains the assigned ID number of the IMR2 device. This number is transmitted as part of the tag field by the Packet Report Port.

Sample Error Status

Address: 1110 0010

Sample Error Status gives statistical data on packets that have errors. It is a 4-deep 8-byte FIFO. Each read requires accessing the data register eight times. The access can jump to the next level of the FIFO in the middle of a read by writing any value to the node processor port with the C/D pin HIGH. If the node processor port is accessed (with the C/D pin LOW) after the last byte is read,

the register jumps to the next level automatically. The data format is as follows:

D Port Read/Write

| | | | | | | | | |
|--------|--------|----|-----|-----|-----|----|----|--------|
| Byte 0 | E | 0 | 0 | 0 | N3 | N2 | N1 | N0 |
| Byte 1 | 0 | VL | DRE | RNT | S | L | A | FCS |
| Byte 2 | bit 23 | | | | | | | bit 16 |
| Byte 3 | | | | | | | | |
| Byte 4 | | | | | | | | |
| Byte 5 | | | | | | | | |
| Byte 6 | | | | | | | | |
| Byte 7 | bit 63 | | | | | | | bit 56 |
| | MSB | | | | LSB | | | |

- E Packet 0 - Empty
1 - Valid
- N3-0 Port Number
- VL Very Long Event
- DRE Data Rate Error
- RNT Runt Packet
- S Short Event
- L Long Event
- A Alignment Error
- FCS FCS Error
- Bytes 2-7 Source Address. It is read low order byte to high order byte.

Note: The FIFO is emptied by reading. If the FIFO is full, nothing more is recorded in Sample Error Status. If the FIFO is empty (bit E = 0), there is nothing in the remaining 7 bytes; therefore, the next access will be the first byte of the 8-byte register.

Report Packet Size

Address: 1110 0011

Report Packet Size is a two-byte register. The eleven least significant bits are used. It sets the length of the original packet (in octets) that is transmitted over the Packet Report Port. The LS Byte is accessed first. The limits are 14 bytes (binary 000000001110) and 1535 bytes (binary 10111111111). If the register is set at less than 14, 14 bytes of the original packet are transmitted over the Packet Reports Port. If the register is set at greater than 1535 bytes, all of the original packet is sent over the Packet Report Port.

D Port Read/Write

| | | | | | | | | |
|--------|--------|--|--|--|-----|--|--|-------|
| Byte 0 | bit 7 | | | | | | | bit 0 |
| Byte 1 | bit 15 | | | | | | | bit 8 |
| | MSB | | | | LSB | | | |

STATS Control

Address: 1110 0100

STATS Control is a 1-byte register. It sets the operation of the Packet Report Port and the RAUI port.

D Port Read/Write

| | | | | | | | |
|-----|---|---|---|-----|---|---|---|
| 0 | T | F | 0 | 0 | 0 | 0 | 0 |
| MSB | | | | LSB | | | |

- T 0 Packet tagging is disabled
1 Packet tagging is enabled
- F 0 Appending of a new FCS during port tagging is disabled
1 Appending of a new FCS during port tagging is enabled

Register Banks 16 through 30: Port Attribute Registers

Port Attribute registers are accessed by writing the appropriate port number into the C register, followed by the attribute number. The table below shows the corresponding register bank for each port.

| Register Bank Access | Port |
|----------------------|---|
| 0001 0000 | 0 |
| 0001 0001 | 1 |
| 0001 0010 | 2 |
| 0001 0011 | 3 |
| 0001 0100 | 4 |
| 0001 0101 | 5 |
| 0001 0110 | 6 |
| 0001 0111 | 7 |
| 0001 1000 | 8 |
| 0001 1001 | 9 |
| 0001 1010 | 10 |
| 0001 1011 | 11 |
| 0001 1100 | AUI |
| 0001 1101 | RAUI |
| 0001 1110 | Expansion Bus (activity recorded when MACEN is TRUE) |

Except for the Last Source Address Register and the Preferred Source Register, all registers are four bytes long and read only unless special conditions are met. The Last Source Address Register and the Preferred Source Address Register are six bytes long and their contents can be written and read.

Once the C Register is programmed with a valid port and attribute number, the corresponding attribute is transferred to a holding register upon reading the first byte. Subsequent accesses to the D register access the value in a least significant to most significant byte order. During a read, once the last byte is read, the attribute value is re-transferred to the holding register and the sequence can be restarted.

When writing the Last Source Address Register and the Preferred Source Register, if the sequence is aborted prior to the 6th consecutive write cycle, the register value is not altered. The sequence (read or write) may be aborted and restarted by programming the C register.

The contents of all attribute registers are maintained during hardware or software reset.

These attributes and their definitions comply with the IEEE 802.3 Repeater Management standard, Section 19 (*Layer Management for 10 Mb/s Baseband Repeaters*). A brief description of attributes is included here for reference only. For more details refer to the IEEE document. An IMR2-based hub can be designed that will comply with IETF RFC 1515 and RFC 1516.

The Port Attribute Registers can be written into if one of two conditions are met. The first is when either the M bit or the R bit on the Device Configuration Register is set. The second is when the corresponding port is disabled.

Readable Frames

Address: 1110 0000

D Port Read

| | | | | | | | | |
|--------|--------|--|--|--|-----|--|--|--------|
| Byte 0 | bit 7 | | | | | | | bit 0 |
| Byte 1 | | | | | | | | |
| Byte 2 | | | | | | | | |
| Byte 3 | bit 31 | | | | | | | bit 24 |
| | MSB | | | | LSB | | | |

Readable Frames is a read-only attribute that counts the number of valid frames detected by the port. Valid frames are from 64 bytes to 1518 bytes in length, have a valid frame CRC, and are received without a collision. This attribute is a 32-bit counter with a minimum rollover time of 80 hours.

Readable Octets

Address: 1110 0001

D Port Read

| | | | | | | | | |
|--------|--------|--|--|--|-----|--|--|--------|
| Byte 0 | bit 7 | | | | | | | bit 0 |
| Byte 1 | | | | | | | | |
| Byte 2 | | | | | | | | |
| Byte 3 | bit 31 | | | | | | | bit 24 |
| | MSB | | | | LSB | | | |

Readable Octets is a read-only attribute that counts the number of octets received on each port. This number is determined by adding the frame length to this register at the completion of every valid frame. This attribute is a 32-bit counter with a minimum rollover time of 58 minutes.

Frame Check Sequence (FCS) Errors

Address: 1110 0010

D Port Read

| | | | | | | | | |
|--------|--------|--|--|--|-----|--|--|--------|
| Byte 0 | bit 7 | | | | | | | bit 0 |
| Byte 1 | | | | | | | | |
| Byte 2 | | | | | | | | |
| Byte 3 | bit 31 | | | | | | | bit 24 |
| | MSB | | | | LSB | | | |

FrameCheckSequence (FCS) Errors is a read-only attribute that counts the number of frames detected on each port with an invalid frame check sequence. This counter is incremented on each frame of valid length (64 bytes to 1518 bytes) that does not suffer a collision during the frame. This counter is incremented on each invalid frame. However, it is not incremented for frames with both framing errors and frame check sequence errors. This attribute is a 32-bit counter with a minimum rollover time of 80 hours.

Alignment Errors

Address: 1110 0011

D Port Read

| | | | | | | | | |
|--------|--------|--|--|--|-----|--|--|--------|
| Byte 0 | bit 7 | | | | | | | bit 0 |
| Byte 1 | | | | | | | | |
| Byte 2 | | | | | | | | |
| Byte 3 | bit 31 | | | | | | | bit 24 |
| | MSB | | | | LSB | | | |

Alignment Errors is a read-only attribute that counts the number of frames detected on each port with an FCS error and a framing error. This counter is incremented on each frame of valid length (64 bytes to 1518 bytes) that does not suffer a collision during the frame. Frames that have both framing errors and FCS errors are counted by this attribute, but not by the Frame Check Sequence Errors attribute. This attribute is a 32-bit counter with a minimum rollover time of 80 hours.

Frames Too Long

Address: 1110 0100

D Port Read

| | | | | | | | | |
|--------|--------|--|--|--|-----|--|--|--------|
| Byte 0 | bit 7 | | | | | | | bit 0 |
| Byte 1 | | | | | | | | |
| Byte 2 | | | | | | | | |
| Byte 3 | bit 31 | | | | | | | bit 24 |
| | MSB | | | | LSB | | | |

Frames Too Long is a read-only attribute that counts the number of frames that exceed the maximum valid packet length of 1518 bytes. This attribute is a 32-bit counter with a minimum rollover time of 61 days.

Short Events

Address: 1110 0101

D Port Read

| | | | | | | | | | | |
|--------|--------|--|--|--|--|-----|--|--|--|--------|
| Byte 0 | bit 7 | | | | | | | | | bit 0 |
| Byte 1 | | | | | | | | | | |
| Byte 2 | | | | | | | | | | |
| Byte 3 | bit 31 | | | | | | | | | bit 24 |
| | MSB | | | | | LSB | | | | |

Short Events is a read-only attribute that counts the number of instances where activity is detected with a duration less than the ShortEventMaxTime (74-82 bit times). This attribute is a 32-bit counter with a minimum rollover time of 16 hours.

Runts

Address: 1110 0110

D Port Read

| | | | | | | | | | | |
|--------|--------|--|--|--|--|-----|--|--|--|--------|
| Byte 0 | bit 7 | | | | | | | | | bit 0 |
| Byte 1 | | | | | | | | | | |
| Byte 2 | | | | | | | | | | |
| Byte 3 | bit 31 | | | | | | | | | bit 24 |
| | MSB | | | | | LSB | | | | |

Runts is a read-only attribute that counts the number of instances where activity is detected with a duration greater than the ShortEventMaxTime (74-82 bit times, but less than the minimum valid frame time (512-bit times, or 64 bytes). This attribute is a 32-bit counter with a minimum rollover time of 16 hours.

Note: Runts usually indicate collision fragments, a normal network event. In certain situations associated with large diameter networks, a percentage of runts may exceed ValidPacketMinTime.

Collisions

Address: 1110 0111

D Port Read

| | | | | | | | | | | |
|--------|--------|--|--|--|--|-----|--|--|--|--------|
| Byte 0 | bit 7 | | | | | | | | | bit 0 |
| Byte 1 | | | | | | | | | | |
| Byte 2 | | | | | | | | | | |
| Byte 3 | bit 31 | | | | | | | | | bit 24 |
| | MSB | | | | | LSB | | | | |

Collisions is a read-only attribute that counts the number of instances where a carrier is detected on the port, and a collision is detected. This attribute is a 32-bit counter with a minimum rollover time of 16 hours.

Late Events

Address: 1110 1000

D Port Read

| | | | | | | | | | | |
|--------|--------|--|--|--|--|-----|--|--|--|--------|
| Byte 0 | bit 7 | | | | | | | | | bit 0 |
| Byte 1 | | | | | | | | | | |
| Byte 2 | | | | | | | | | | |
| Byte 3 | bit 31 | | | | | | | | | bit 24 |
| | MSB | | | | | LSB | | | | |

Late Events is a read-only attribute that counts the number of instances where a collision is detected after the LateEventThreshold (480-565 bit times) in the frame. This event will be counted both by the Late Events attribute, as well as the Collisions attribute. This attribute is a 32-bit counter with a minimum rollover time of 81 hours.

Very Long Events

Address: 1110 1001

D Port Read

| | | | | | | | | | | |
|--------|--------|--|--|--|--|-----|--|--|--|--------|
| Byte 0 | bit 7 | | | | | | | | | bit 0 |
| Byte 1 | | | | | | | | | | |
| Byte 2 | | | | | | | | | | |
| Byte 3 | bit 31 | | | | | | | | | bit 24 |
| | MSB | | | | | LSB | | | | |

Very Long Events is a read-only attribute that counts the number of times the transmitter is active in excess of the MAU Jabber Lockup Protection (MJLP) Timer (4 ms - 7.5 ms). This attribute is a 32-bit counter with a minimum rollover time of 198 days.

Data Rate Mismatches

Address: 1110 1010

D Port Read

| | | | | | | | | | | |
|--------|--------|--|--|--|--|-----|--|--|--|--------|
| Byte 0 | bit 7 | | | | | | | | | bit 0 |
| Byte 1 | | | | | | | | | | |
| Byte 2 | | | | | | | | | | |
| Byte 3 | bit 31 | | | | | | | | | bit 24 |
| | MSB | | | | | LSB | | | | |

Data Rate Mismatches is a read-only attribute that counts the number of occurrences where the frequency or data rate of the incoming signal is detectably different from the local transmit frequency. To be counted, the incoming packet must be at least 512 bytes and not in collision. The attribute is a 32-bit counter with a minimum rollover time of 80 hours.

Note: The rate at which the Data Rate Mismatches attribute will increment will depend on the magnitude of the difference between the received signal clock and the local transmit frequency.

Auto Partitions

Address: 1110 1011

D Port Read

| | | | | | | | | | | |
|--------|--------|--|--|--|--|-----|--|--|--|--------|
| Byte 0 | bit 7 | | | | | | | | | bit 0 |
| Byte 1 | | | | | | | | | | |
| Byte 2 | | | | | | | | | | |
| Byte 3 | bit 31 | | | | | | | | | bit 24 |
| | MSB | | | | | LSB | | | | |

Auto Partitions is a read-only attribute that counts the number of instances where the repeater has partitioned this port from the network. This attribute is a 32-bit counter that is incremented on each such event. The approximate minimum time between counter rollovers is 20 days.

Source Address Changes

Address: 1110 1100

D Port Read

| | | | | | | | | | | |
|--------|--------|--|--|--|--|-----|--|--|--|--------|
| Byte 0 | bit 7 | | | | | | | | | bit 0 |
| Byte 1 | | | | | | | | | | |
| Byte 2 | | | | | | | | | | |
| Byte 3 | bit 31 | | | | | | | | | bit 24 |
| | MSB | | | | | LSB | | | | |

Source Address Changes is a read-only attribute that counts the number of times the source address field of valid frames received on a port changes. This attribute is a 32-bit counter with a minimum rollover of 81 hours.

Note: This may indicate whether a link is connected to a single DTE or another multi-user segment.

Readable Broadcast Frames

Address: 1110 1101

D Port Read

| | | | | | | | | | | |
|--------|--------|--|--|--|--|-----|--|--|--|--------|
| Byte 0 | bit 7 | | | | | | | | | bit 0 |
| Byte 1 | | | | | | | | | | |
| Byte 2 | | | | | | | | | | |
| Byte 3 | bit 31 | | | | | | | | | bit 24 |
| | MSB | | | | | LSB | | | | |

The counter is incremented by one each time this port receives an error-free broadcast frame.

Last Source Address

Address: 1110 1110

D Port Read/Write

| | | | | | | | | | | |
|--------|--------|--|--|--|--|-----|--|--|--|--------|
| Byte 0 | bit 7 | | | | | | | | | bit 0 |
| Byte 1 | | | | | | | | | | |
| Byte 2 | | | | | | | | | | |
| Byte 3 | | | | | | | | | | |
| Byte 4 | | | | | | | | | | |
| Byte 5 | bit 47 | | | | | | | | | bit 40 |
| | MSB | | | | | LSB | | | | |

Last Source Address is a read/write attribute and is the source address of the last readable frame received by this port.

This 6-byte register may be read from or written to. This feature allows the software to preset this attribute to the known Node ID for a single node segment. A change in the contents of this register would then signal an anomaly. This will cause the Source Address Changes attribute to increment. Furthermore, setting the respective PAUI/AUI/RAUI Port Source Address Change Interrupt Enable bit (in the Port Control Registers) can be used to generate a hardware interrupt to signal the software to automatically disable this port.

Readable Multicast Frames

Address: 1110 1111

D Port Read

| | | | | | | | | | | |
|--------|--------|--|--|--|--|-----|--|--|--|--------|
| Byte 0 | bit 7 | | | | | | | | | bit 0 |
| Byte 1 | | | | | | | | | | |
| Byte 2 | | | | | | | | | | |
| Byte 3 | bit 31 | | | | | | | | | bit 24 |
| | MSB | | | | | LSB | | | | |

The counter is incremented by one each time this port receives an error-free multicast frame. Broadcast frames are not counted.

Preferred Source Address

Address: 1111 0000

D Port Read/Write

| | | | | | | | | | | |
|--------|--------|--|--|--|--|-----|--|--|--|--------|
| Byte 0 | bit 7 | | | | | | | | | bit 0 |
| Byte 1 | | | | | | | | | | |
| Byte 2 | | | | | | | | | | |
| Byte 3 | | | | | | | | | | |
| Byte 4 | | | | | | | | | | |
| Byte 5 | bit 47 | | | | | | | | | bit 40 |
| | MSB | | | | | LSB | | | | |

The address programmed into this register is compared with the incoming source address to generate a Source Address Changed Interrupt. This is a 6-byte word. The operation will abort if all 6 bytes are not written.

SYSTEM APPLICATIONS

IMR2 to QuiET Connection

The IMR2 device provides a system solution to designing repeaters. It can be used with the QuiET transceivers to design 10BASE-T hubs or with other types of MAUs for 10BASE2 or 10BASE-FL hubs. The MAU types can be mixed to design a hub that supports multiple media types. The IMR2 device connects directly to the QuiET device transceivers. 7 shows the simplified connection. Three QuiET devices may be connected to a single IMR2 device for 12 ports. Only one connection is shown for simplicity.

Other Media

The IMR2 device, with some supporting circuitry, can be connected to the AUI port of any MAU device. Thus, it can support 10BASE2 and 10BASE-FL. The example in 8 shows a PAUI port connected to a 10BASE-FL transceiver (ml4663). For the ml4663, signals TX, RX, and COL are equivalent to the AUI signals DO, DI, and CI. The 360- Ω resistors are required by the ml4663 drivers.

MAC Interface

The IMR2 device can be connected to a MAC using either the RAUI port or the PR port. The RAUI port supports a direct connection. The PR port requires some glue logic.

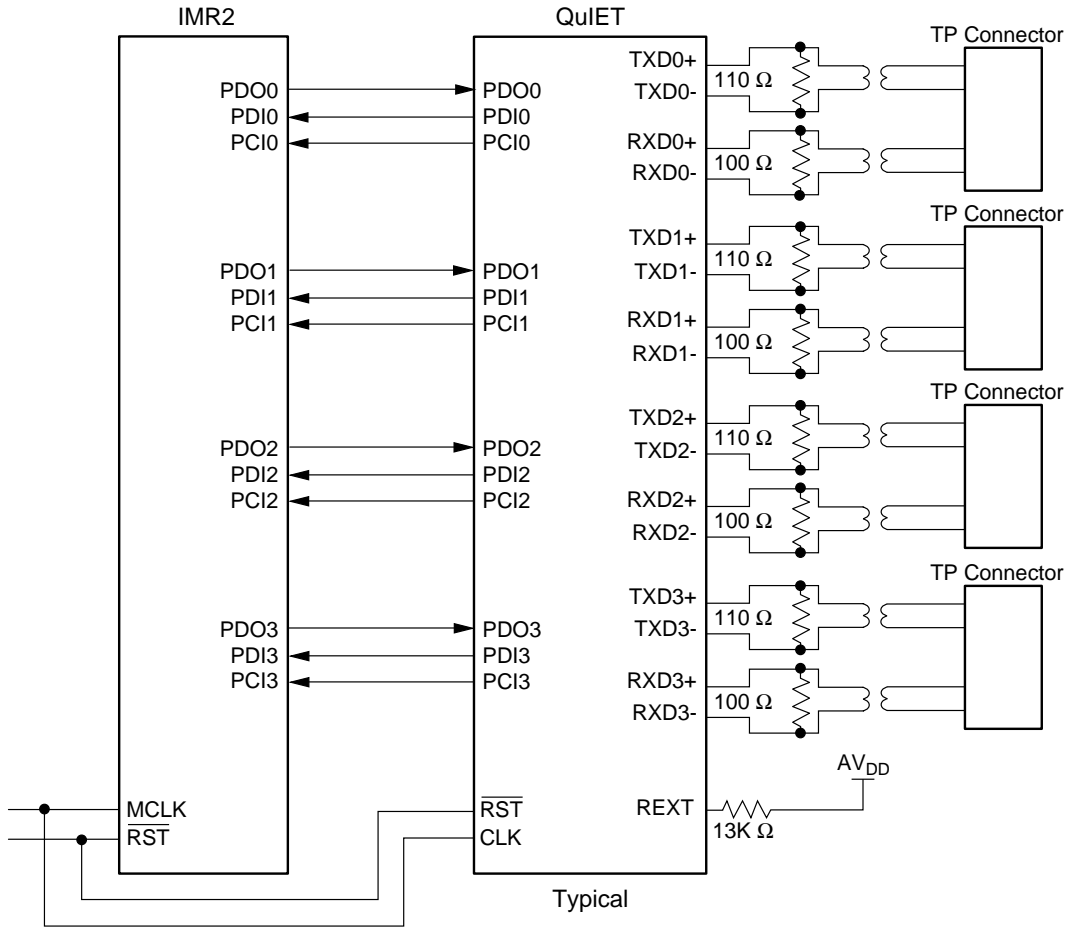
RAUI Port

When the RAUI port is to be connected to a MAC, it should be configured in reverse mode and connected as shown in 9 (a). Notice that RDI is connected to DO of the MAC and RDO is connected to DI. This is because the reverse configuration only affects RCI. 9 (b) shows the normal AUI configuration for reference.

PR Port Configuration

The PR port may be connected to the GPSI port of a MAC. Communication with the MAC involves both the PR port and the Expansion Bus. The PR port connects to the receive side of the MAC and the expansion bus connects to the transmit side.

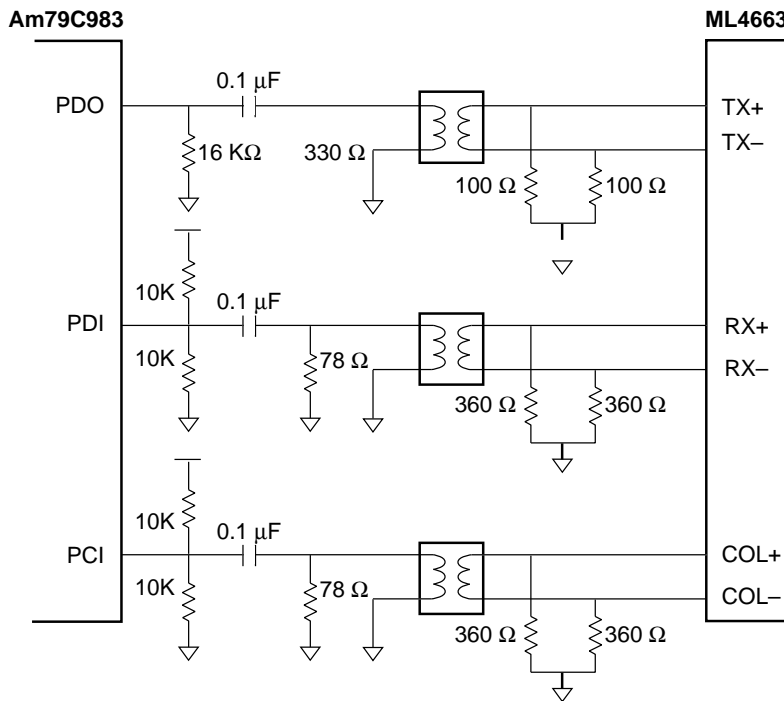
An example of the MAC connection is shown in 10. Here the IMR2 device is connected to the SIA interface of the Am79C90 (C-LANCE). $\overline{\text{MACEN}}$, DAT, and ECLK are bus signals. Therefore, the AND gates and buffers to these signals must be open-collector or open-drain. The OR gate for RENA satisfies the loopback requirements for the C-LANCE.



19879B-11

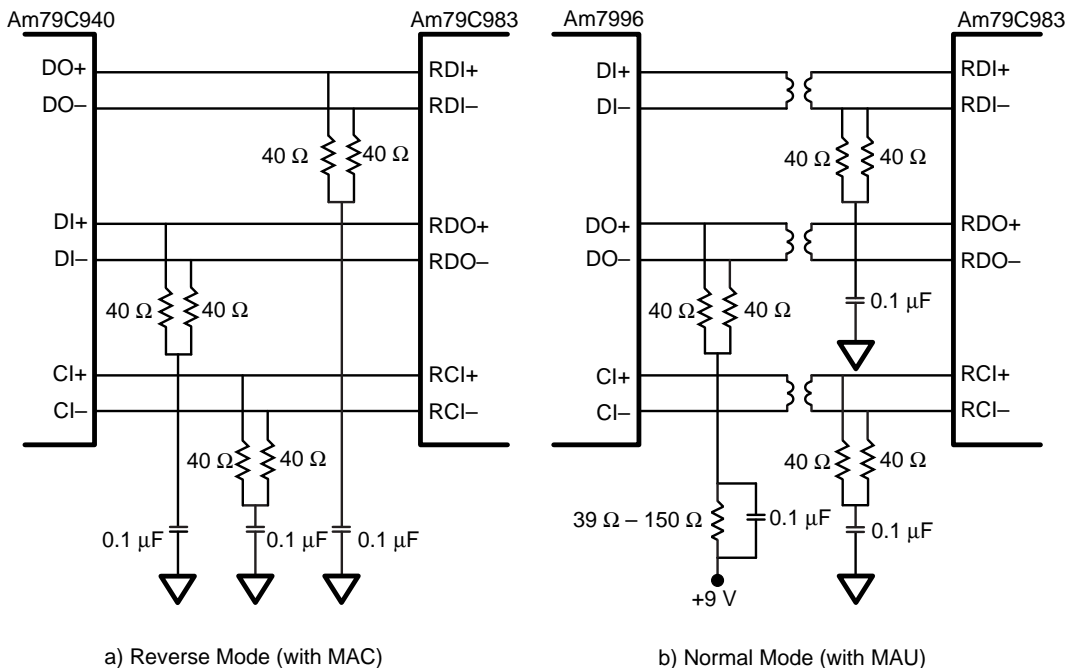
Note: Common mode chokes may be required.

Figure 7. Simplified 10BASE-T Connection



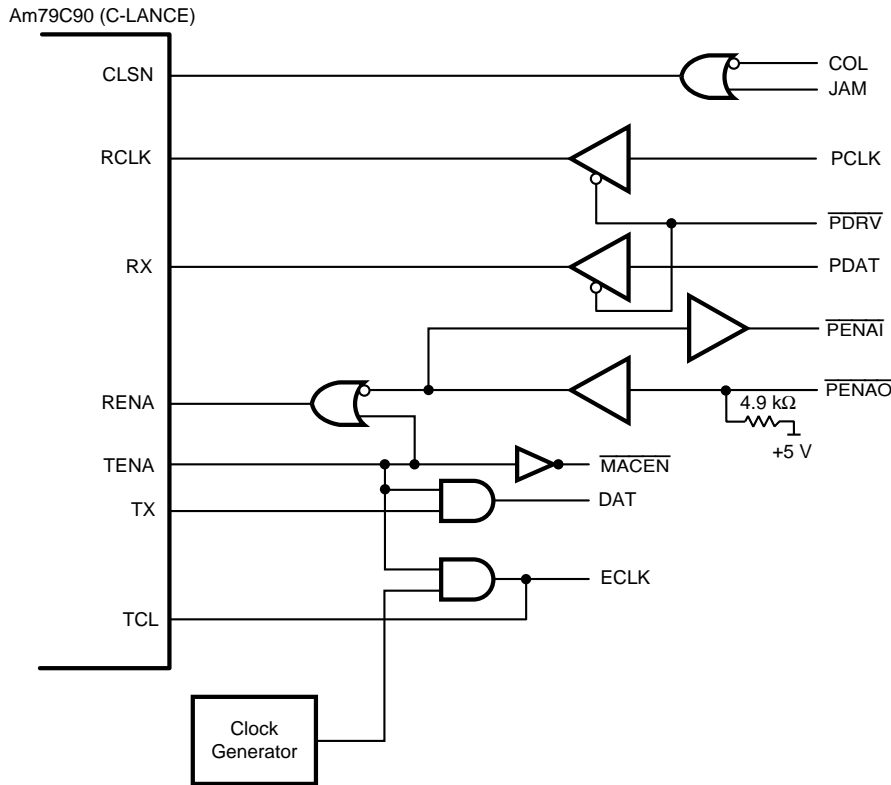
19879B-12

Figure 8. PAUI Interface to non-QUIET Device Transceiver



19879B-13

Figure 9. RAUI Port Interconnections



19879B-14

Figure 10. PR Port Connection to an Am79C90 C-Lance

Port Switching

Port switching allows the movement of individual ports between multiple Ethernet collision domains via software. This capability enables the network manager to optimize network performance by dynamically balancing the loads on a network. As an example, a port exhibiting a high level of activity can be moved to a less congested collision domain.

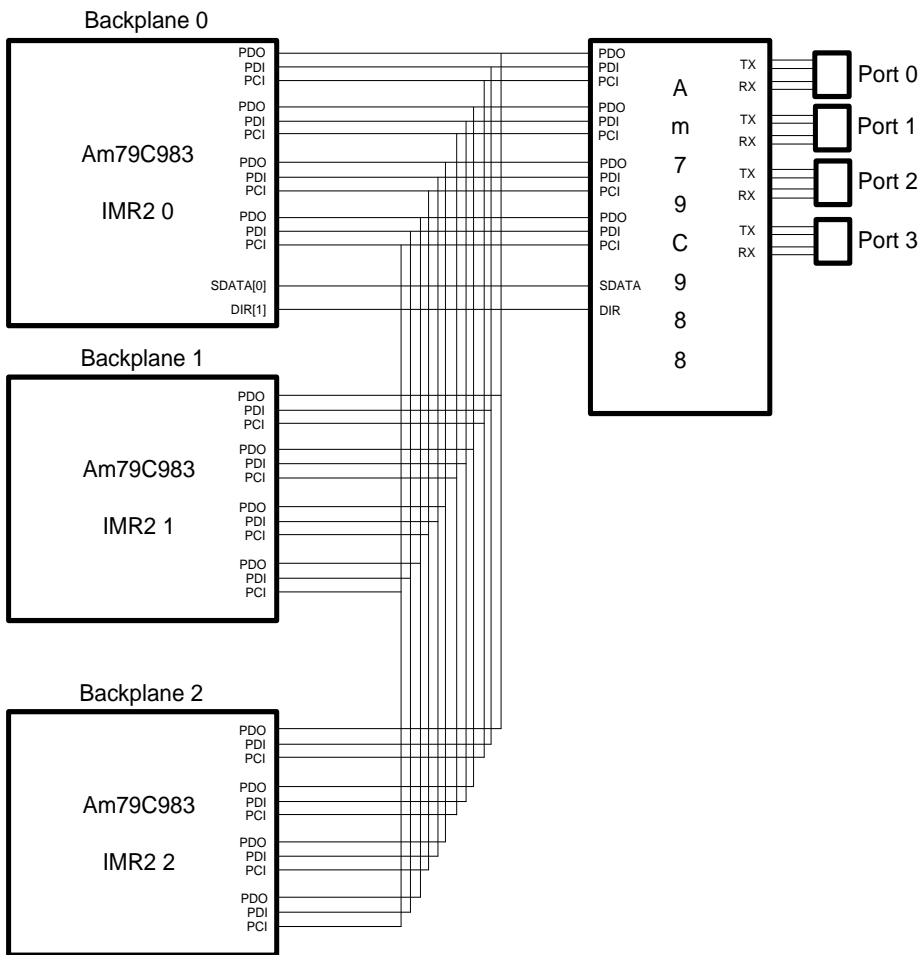
The method of implementing port switching with the IMR2/QuIET chip set is to connect a single transceiver port to multiple IMR2 devices. The number of IMR2 devices will equal the number of backplanes supported in the hub. 11 is a simplified schematic showing a hub with three separate backplanes. Only one QuIET device is shown for simplicity, although it is expected that most applications will use three QuIET devices to enable 12 port multiples.

The following discussion of port switching will consider only port 0; although, it is equally applicable to all of the ports. At any time, PAUI[0] is enabled on one, and only one, IMR2 device. As a result, port 0 is transferred to whichever IMR2 device has PAUI[0] enabled.

The other two IMR2 devices will have PAUI[0] disabled with PDO[0] in a high impedance state. To move port 0 to another backplane, the software will disable PAUI[0] on the active IMR2 device and enable PAUI[0] on the targeted IMR2 device that represents the desired backplane. Pseudo AU1 ports can be disabled or enabled by setting the appropriate bit in the Port Switching Control Register.

Although there are multiple IMR2 devices, only one has management control of the QuIET devices. 11 shows IMR2 device 0 having management control. The other two devices do not have any control over the configuration of the QuIET devices.

The number of IMR2 devices that can be connected together is limited by the load on the PAUI drivers. The PAUI will operate reliably with a load up to 100 pF. On a system that uses sockets for the IMR2 devices, the maximum number of devices is six. This number can increase as long as the total load capacitance is kept below 100 pF.



19879B-15

Figure 11. Port Switching Configuration

ABSOLUTE MAXIMUM RATINGS

Storage Temperature -65°C to +150°C

Ambient Temperature Under Bias. 0 to 70°C

Supply Voltage referenced to

AV_{SS} or DV_{SS} (AV_{DD}, DV_{DD}) -0.3 to +6V

Stresses above those listed under ABSOLUTE MAXIMUM RATINGS may cause permanent device failure. Functionality at or above these limits is not implied. Exposure to Absolute Maximum Ratings for extended periods may affect reliability. Programming conditions may differ.

OPERATING RANGES

Commercial (C) Devices

Temperature (TA) 0°C to + 70° C

Supply Voltages (V_{DD}) +5 V ±5%

Operating ranges define those limits between which the functionality of the device is guaranteed.

DC CHARACTERISTICS over operating ranges unless otherwise specified

| Parameter Symbol | Parameter Description | Test Conditions | Min | Max | Unit |
|-----------------------------|---|---|--------------------------|--------------------------|------|
| Digital I/O | | | | | |
| V _{IL} | Input LOW Voltage | - | -0.5 | 0.8 | V |
| V _{IH} | Input HIGH Voltage | - | 2.0 | 0.5+V _{DD} | V |
| V _{OL} | Output LOW Voltage | I _{OL} =4.0 mA | - | 0.4 | V |
| V _{OH} | Output HIGH Voltage | I _{OH} =-0.4 mA | 2.4 | - | V |
| I _{IL} | Input Leakage Current | 0<V _{IN} <V _{DD} | - | 10 | µA |
| V _{OLOD} | Open Drain Output LOW Voltage | I _{OLOD} = 12 mA | - | 0.4 | V |
| (R)AUI Ports | | | | | |
| I _{AIXD} | Input Current at DI± and CI ± | V _{SS} <V _{IN} <V _{DD} | -500 | 500 | µA |
| V _{AICM} | DI±, CI± Open Circuit Input Voltage Range | I _{IN} = 0 | V _{DD} -3 | V _{DD} -1 | V |
| V _{AIDV} | Differential Mode Input Voltage Range | V _{DD} = 5.0V | -2 | +2 | V |
| V _{ASQ} | DI, CI Squelch Threshold | - | -350 | -160 | mV |
| V _{AOD} | Differential Output Voltage (DO+) -(DO) | R _L = 78Ω | 620 | 1100 | mV |
| V _{AOC} | Differential Output Voltage (RCI+)-(RCI-) (Reverse Mode) | R _L = 39Ω | 620 | 1100 | mV |
| V _{AODI} | DO Differential Output Voltage Imbalance | R _L = 78Ω | -25 | +25 | mV |
| V _{AODOFF} | DO Differential Idle Output Voltage | R _L = 78Ω | -40 | +40 | mV |
| I _{AODOFF} | DO Differential Idle Output Current | R _L = 78Ω (Note 1) | -525 | +525 | µA |
| V _{AOCM} | DO+, DO- Output Voltage | R _L = 78Ω | 2.5 | V _{DD} | V |
| PAUI Ports | | | | | |
| V _{IDLE} | Idle Voltage | - | V _{DD} /2-10% | V _{DD} /2+10% | mV |
| V _{POH} | Output HIGH Voltage | - | V _{IDLE} + 0.45 | | mV |
| V _{POL} | Output LOW Voltage | - | | V _{IDLE} - 0.45 | mV |
| V _{PIH} | Input HIGH Voltage | (Note 1) | V _{IDLE} + 0.45 | | mV |
| V _{PIL} | Input LOW Voltage | (Note 1) | V _{IDLE} - 0.45 | | V |
| I _{PIL} | Input Leakage Current | V _{DD} = MAX | | 10 | µA |
| V _{PASQ} | PDI & PCI Squelch (the value PDI & PCI must go to before internal PDI & PCI carrier sense can be turned on) (Note 11) | - | V _{IDLE} -550 | V _{IDLE} -350 | mV |
| Power Supply Current | | | | | |
| I _{DD} | Power Supply Current (Idle) | MCLK = 20 MHz V _{DD} = +5.25V | - | 300 | mA |
| | Power Supply Current (Transmitting) | MCLK = 20 MHz V _{DD} = +5.25V | - | 450 | mA |

SWITCHING CHARACTERISTICS over operating ranges unless otherwise specified

| Parameter Symbol | Parameter Description | Test Conditions | Min | Max | Unit |
|-------------------------------|--|------------------------------------|-----------|-----------|------|
| Clock and Reset Timing | | | | | |
| tMCLK | MCLK Clock Period | | 49.995 | 50.005 | ns |
| tMCLKH | MCLK Clock HIGH | | 20 | 30 | ns |
| tMCLKL | MCLK Clock LOW | | 20 | 30 | ns |
| tMCLKR | MCLK Rise Time | | - | 10 | ns |
| tMCLKF | MCLK Fall Time | | - | 10 | ns |
| tECLKH | ECLK HIGH | (Note 2) | 0.4 tECLK | 0.6 tECLK | ns |
| tECLKL | ECLK LOW | (Note 2) | 0.4 tECLK | 0.6 tECLK | ns |
| tECRR | ECLK Rise Time (When Receiving DAT) | (Note 1) | - | 10 | ns |
| tECRF | ECLK Fall Time (When Receiving DAT) | (Note 1) | - | 10 | ns |
| tECTR | ECLK Rise Time (When Transmitting DAT) | (Note 1) | - | 10 | ns |
| tECTF | ECLK Fall Time (When Transmitting DAT) | (Note 1) | - | 10 | ns |
| tRST | Reset Pulse Width | | 4 | - | μs |
| tRSTP | Reset Pulse Width on Power-Up | | 150 | - | μs |
| tRSTSET | Reset Input Setup Time with respect to MCLK | | 20 | - | ns |
| tRSTHLD | Reset Input Hold Time with respect to MCLK | | 0 | - | ns |
| (R)AUI Port Timing | | | | | |
| tDOTD | MCLK HIGH to DO Toggle | | - | 30 | ns |
| tDOTR | DO Rise Time | (Note 1) | - | 7.0 | ns |
| tDOTF | DO Fall Time | (Note 1) | - | 7.0 | ns |
| tDORM | DO+, DO- Rise and Fall Time Mismatch | | - | 1.0 | ns |
| tDOETD | DO End Of Transmission | | 275 | 375 | ns |
| tPWODI | DI Pulse Width Accept/Reject | $ V_{IN} > V_{ASQ} $ (Note 3) | 15 | 45 | ns |
| tPWKDI | DI Pulse Width Not to Turn Off Internal Carrier Sense | $ V_{IN} > V_{ASQ} $ (Note 4) | 136 | 220 | ns |
| tPWOCI | CI Pulse Width Accept/Reject Threshold | $ V_{IN} > V_{ASQ} $ (Note 5) | 8 | 26 | ns |
| tPWKCI | CI Pulse Width Not to Turn Off Threshold | $ V_{IN} > V_{ASQ} $ (Note 6) | 80 | 160 | ns |
| tCITR | RCI Rise Time (in Reverse Mode) | (Note 1) | - | 7.0 | ns |
| tCITF | RCI Fall Time (In Reverse Mode) | (Note 1) | - | 7.0 | ns |
| tCIRM | RCI+, RCI- Rise and Fall Time Mismatch (RAUI in Reverse Mode) | | - | 1.0 | ns |
| PAUI Port Timing | | | | | |
| tPDOTD | MCLK HIGH to DO Toggle | | - | 30 | ns |
| tPDOETD | PDO End of Transmission | (Note 1) | 275 | 375 | ns |
| tPWOPDI | PDI Pulse Width Accept/Reject (Note 7) | $ V_{IN} > V_{ASQ} $ | 15 | 45 | ns |
| tPWKPDI | DI Pulse Width Not to Turn Off Internal Carrier Sense (Note 8) | $ V_{IN} > V_{ASQ} $ | 136 | 220 | ns |
| tPWOPCI | CI Pulse Width Accept/Reject Threshold (Note 9) | $ V_{IN} > V_{ASQ} $ | 8 | 26 | ns |
| tPWKPCI | CI Pulse Width Not to Turn Off Threshold (Note 10) | $ V_{IN} > V_{ASQ} $ | 80 | 160 | ns |
| Expansion Bus Timing | | | | | |
| tMHRH | MCLK HIGH to $\overline{\text{REQ}}$ Driven LOW | $C_L = 100\text{pF}$ | 10 | 40 | ns |
| tMHRH | MCLK HIGH TO $\overline{\text{REQ}}$ Driven HIGH | $C_L = 100\text{pF}$ | 10 | 40 | ns |

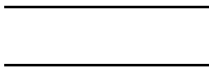


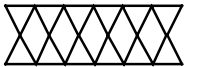

| Parameter Symbol | Parameter Description | Test Conditions | Min | Max | Unit |
|--|---|--------------------|-----|-----|------|
| tMHDR | MCLK HIGH to DAT/JAM Driven | $C_L=100\text{pF}$ | 10 | 40 | ns |
| tMHDZ | MCLK HIGH TO DAT/JAM Not Driven | $C_L=100\text{pF}$ | 14 | 40 | ns |
| tMDSET | DAT/JAM Setup Time to MCLK | | 10 | - | ns |
| tMDHOLD | DAT/JAM Hold Time from MCLK | | 10 | - | ns |
| tMASET | $\overline{\text{COL/ACK}}$ Setup Time to MCLK | | 5 | - | ns |
| tMAHLD | $\overline{\text{COL/ACK}}$ Hold Time to MCLK | | 14 | - | ns |
| tELDR | ECLK LOW to DAT Switching | $C_L=100\text{pF}$ | - | 20 | ns |
| tEDSET | DAT Setup to ECLK | | 10 | - | ns |
| tEDHOLD | DAT Hold Time from ECLK | | 14 | - | ns |
| Microprocessor Interface Timing | | | | | |
| tCDS | C/D Setup Time with Respect to $\overline{\text{RD/WR}}$ Leading Edge | | 10 | - | ns |
| tCDH | C/D Hold Time with Respect to $\overline{\text{RD/WR}}$ Rising Edge | | 0 | - | ns |
| tCSS | $\overline{\text{CS}}$ Setup Time with Respect to $\overline{\text{RD/WR}}$ Falling Edge | | 10 | - | ns |
| tCSH | $\overline{\text{CS}}$ Hold Time with Respect to $\overline{\text{RD/WR}}$ Rising | | 0 | - | ns |
| tRDYD | RDY Leading Edge Delay | $C_L=100\text{pF}$ | - | 25 | ns |
| tRDYH | RDY HIGH to $\overline{\text{RD/WR}}$ Rising | | 0 | - | ns |
| tDOUT | Data Out to RDY HIGH | $C_L=100\text{pF}$ | 50 | - | ns |
| tDOH | Data Out HOLD after $\overline{\text{RD}}$ HIGH | $C_L=100\text{pF}$ | 10 | 50 | ns |
| tDIS | Data In Setup Time with Respect to $\overline{\text{WR}}$ Rising Edge | | 25 | - | ns |
| tREST | Rest Period between MPI Operations (Time between the Earliest $\overline{\text{CS/RD/WR}}$ Going HIGH to the Next $\overline{\text{CS/RD/WR}}$ Going LOW, whichever is the Latest | | 150 | - | ns |
| tDIH | Data In HOLD after $\overline{\text{WR}}$ HIGH | | 0 | - | ns |
| Management Port Timing | | | | | |
| tMSSO | MCLK to SDATA | | 10 | 40 | ns |
| tMSDO | MCLK to DIR[1:0] | | 10 | 40 | ns |
| tMSSSU | SDATA Setup Time | | 10 | - | ns |
| tMSSHD | SDATA Hold Time | | 10 | - | ns |
| Packet Report Port Timing | | | | | |
| tPRV | PCLK LOW to PDAT Switching | | - | 20 | ns |

Notes:

- Parameter is not tested.
- ECLK is dependent on the frequency of the data on the active port.
- (R)DI pulses narrower than tPWODI (min) will be rejected; (R)DI pulses wider than tPWODI (max) will turn internal (R)DI carrier sense on.
- (R)DI pulses narrower than tPWKDI (min) will maintain internal (R)DI carrier sense on; (R)DI pulses wider than tPWKDI(max) will turn internal (R)DI carrier sense off.
- (R)CI pulses narrower than tPWOCI (min) will be rejected; (R)CI pulses wider than tPWOCI (max) will turn internal (R)CI carrier sense on.
- (R)CI pulses narrower than tPWKCI (min) will maintain internal (R)CI carrier sense; (R)CI pulses longer than tPWKCI (max) will turn internal (R)CI carrier sense off.
- PDI pulses narrower than tPWOPDI (min) will be rejected; PDI pulses wider than tPWOPDI (max) will turn internal PDI carrier sense on.

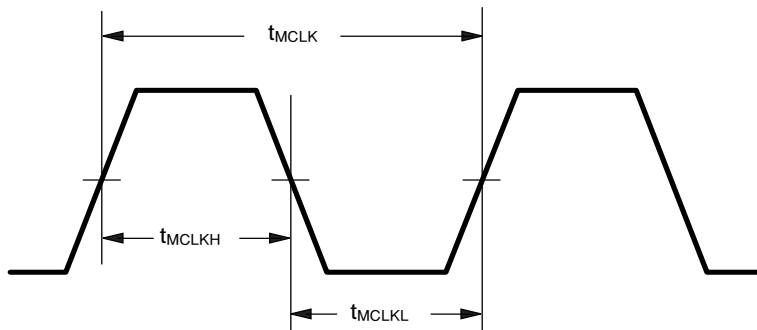
-
8. *PDI pulses narrower than t_{PWKPDI} (min) will maintain internal PDI carrier sense on; PDI pulses wider than t_{PWKPDI} (max) will turn internal PDI carrier sense off.*
 9. *PCI pulses narrower than t_{PWOPCI} (min) will be rejected; PCI pulses wider than t_{PWOPCI} (max) will turn internal PCI carrier sense on.*
 10. *PCI pulses narrower than t_{PWKPCI} (min) will maintain internal PCI carrier sense on; PCI pulses wider than t_{PWKPCI} (max) will turn internal PCI carrier sense off.*
 11. *Squelch thresholds change proportionately with V_{DD} .*

KEY TO SWITCHING WAVEFORMS

| WAVEFORM | INPUTS | OUTPUTS |
|---|----------------------------------|---|
|  | Must be Steady | Will be Steady |
|  | May Change from H to L | Will be Changing from H to L |
|  | May Change from L to H | Will be Changing from L to H |
|  | Don't Care, Any Change Permitted | Changing, State Unknown |
|  | Does Not Apply | Center Line is High-Impedance "Off" State |

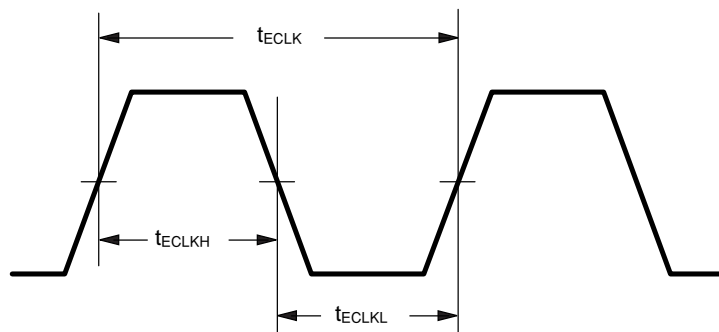
KS00010

SWITCHING WAVEFORMS



19879B-16

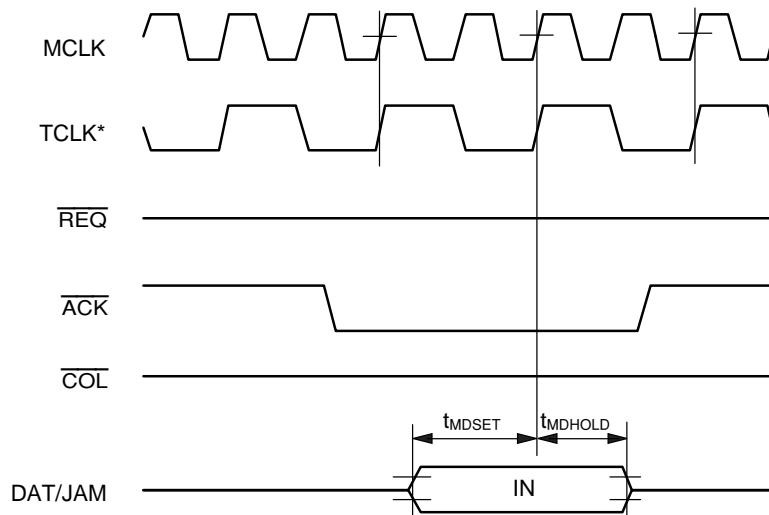
Figure 12. Master Clock (MCLK) Timing



19879B-17

Figure 13. Expansion Bus Asynchronous Clock (ECLK) Timing

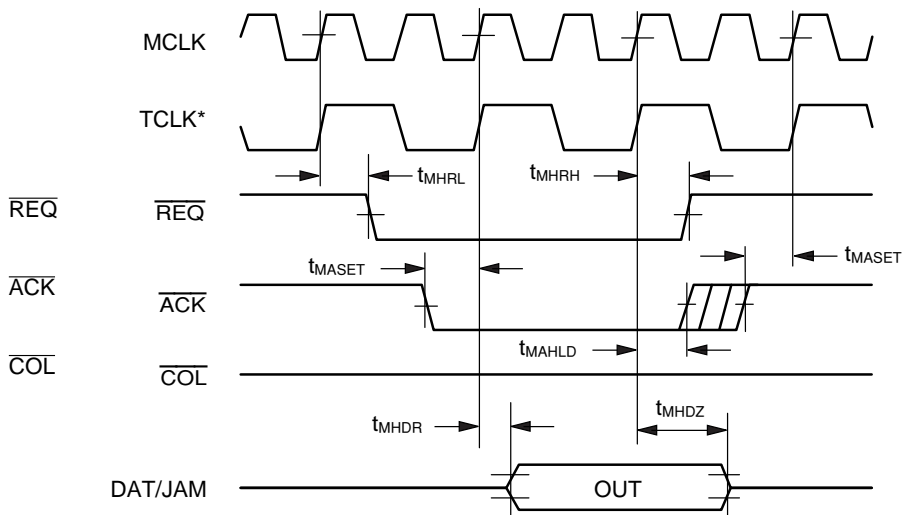
SWITCHING WAVEFORMS



19879B-18

**TCLK illustrates internal IMR2 chip clock phase relationships*

Figure 14. Expansion Bus Input Timing - Synchronous Mode

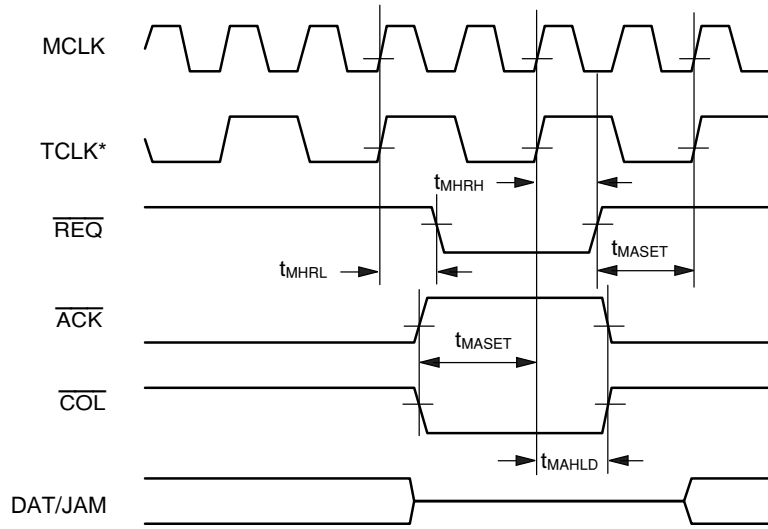


19879B-19

**TCLK illustrates internal IMR2 chip clock phase relationships*

Figure 15. Expansion Bus Output Timing - Synchronous Mode

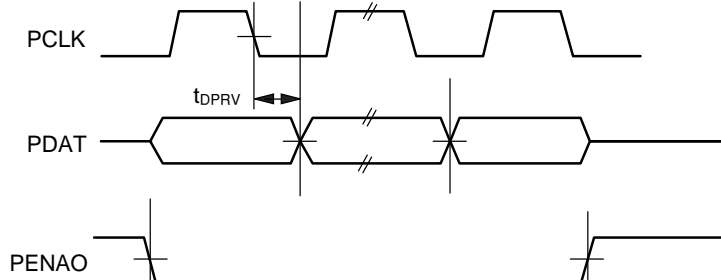
SWITCHING WAVEFORMS



*TCLK illustrates internal IMR2 chip clock phrase relationships

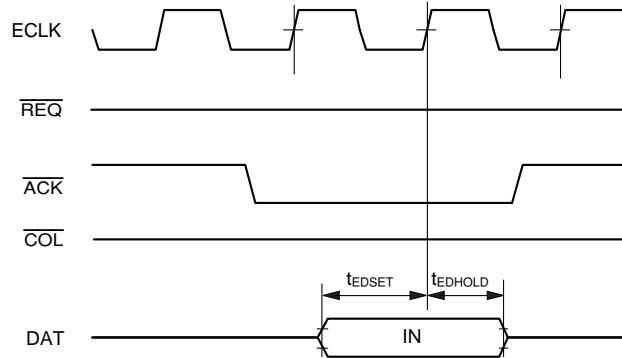
19879B-20

Figure 16. Expansion Port Collision Timing - Synchronous Mode



19879B-21

Figure 17. Packet Report Port Timing



19879B-22

Figure 18. Expansion Port Input Timing - Asynchronous Mode

SWITCHING WAVEFORMS

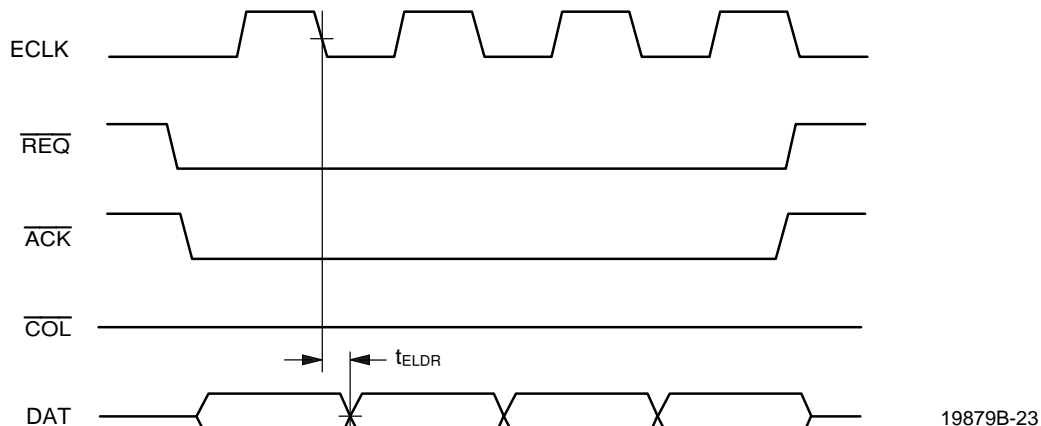


Figure 19. Expansion Port Output Timing - Asynchronous Mode

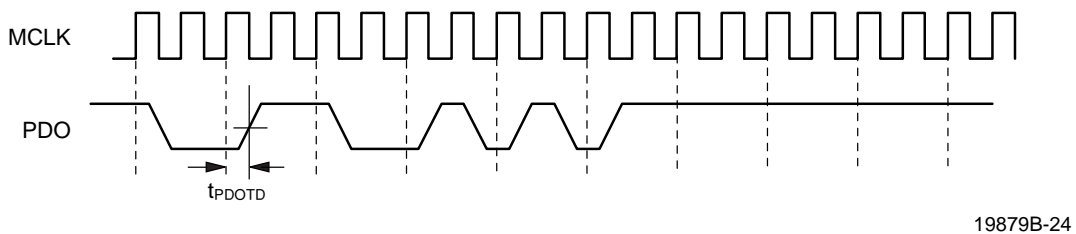


Figure 20. PAUI PDO Transmit

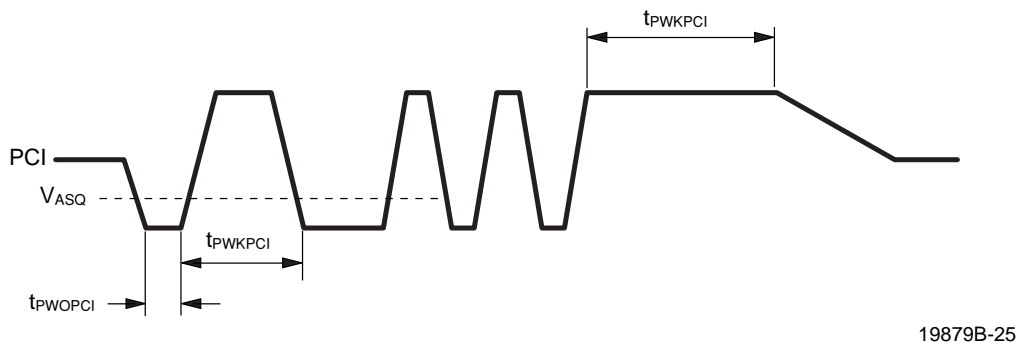
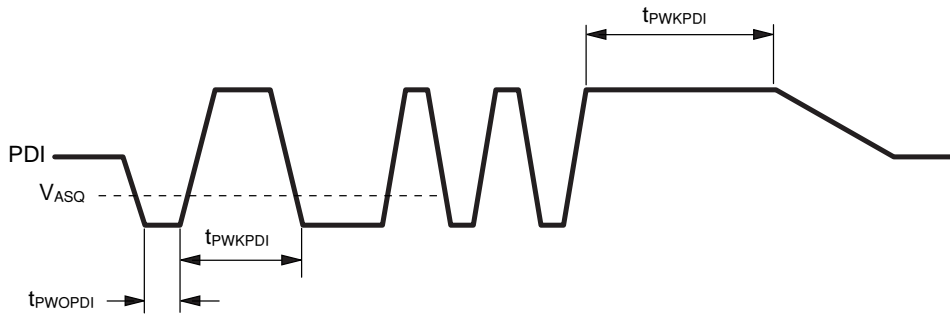


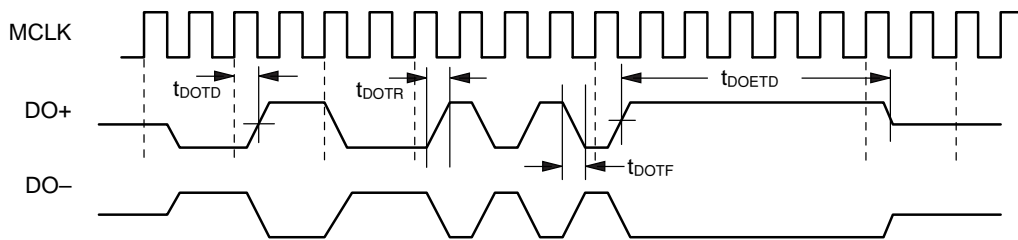
Figure 21. PAUI PCI Receive

SWITCHING WAVEFORMS



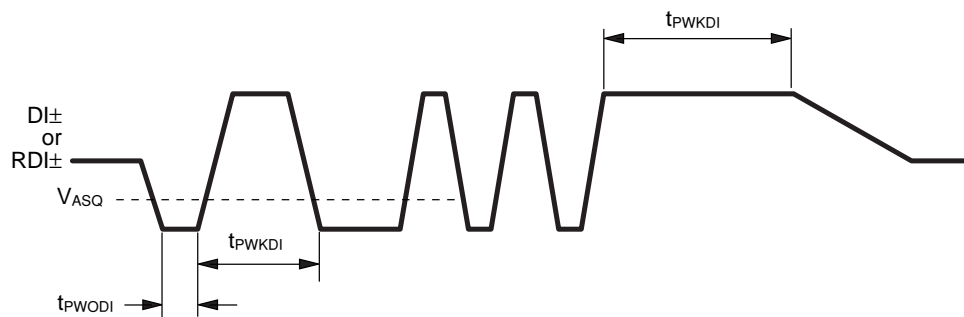
19879B-26

Figure 22. PAUI Receive



19879B-27

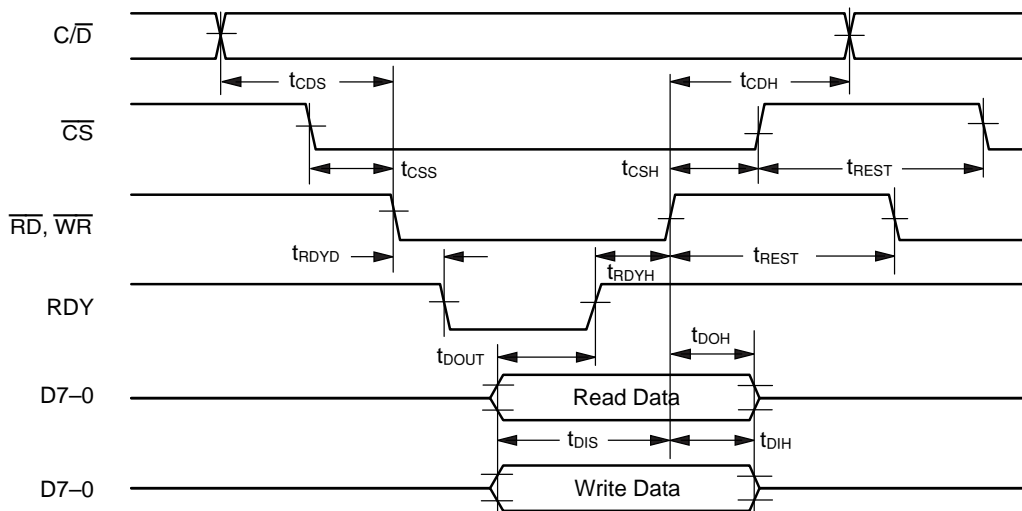
Figure 23. (R)AUI Timing



19879B-28

Figure 24. (R)AUI Receive

SWITCHING WAVEFORMS



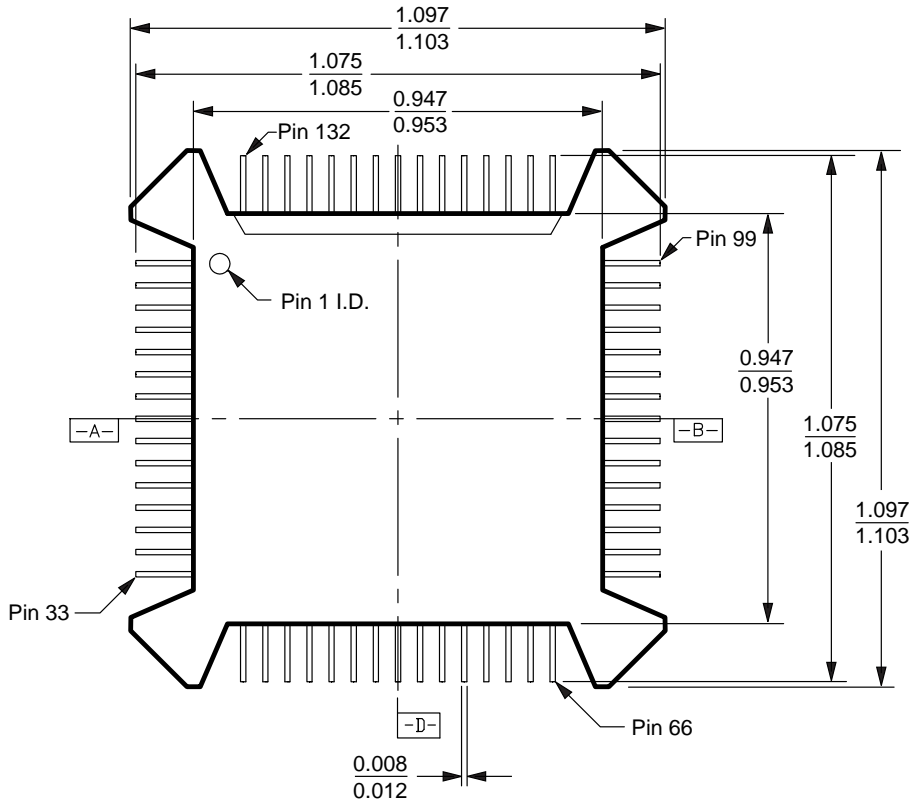
19879B-29

Figure 25. Microprocessor Bus Interface Timing

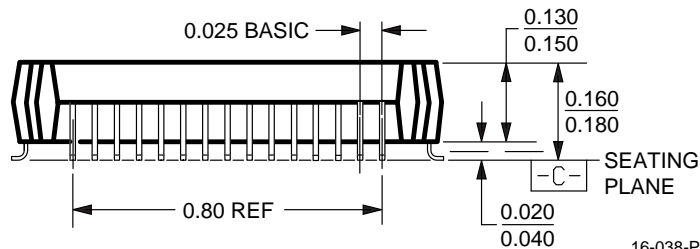
PHYSICAL DIMENSIONS*

PQB 132

132-Pin Plastic Quad Flat Pack (Measured in inches)



TOP VIEW



BOTTOM VIEW

16-038-PQB
 PQB132
 DB87
 7-26-94 ae

REVISION SUMMARY

This revision (B) reflects changes to Figures 4, 7, and 8. Changes have also been made to the Ordering Information page, DC Characteristics and Switching

Characteristics tables. Also, the Table of Contents has been moved to page 7. No other technical changes have been made.

Trademarks

Copyright © 1997 Advanced Micro Devices, Inc. All rights reserved.

AMD, the AMD logo, and combinations thereof, and IMR2, QuiET, HIMIB, PAUI, and RAUI are trademarks of Advanced Micro Devices, Inc.

Product names used in this publication are for identification purposes only and may be trademarks of their respective companies.