

SMD Type Tuning Fork Crystal Resonators

DST410S



NEW

■ Features

- Ceramic package.
- High density mounting is feasible with super miniature design. (height 0.75mm)
- Higher precision and reliability.
- Complete lead-free.

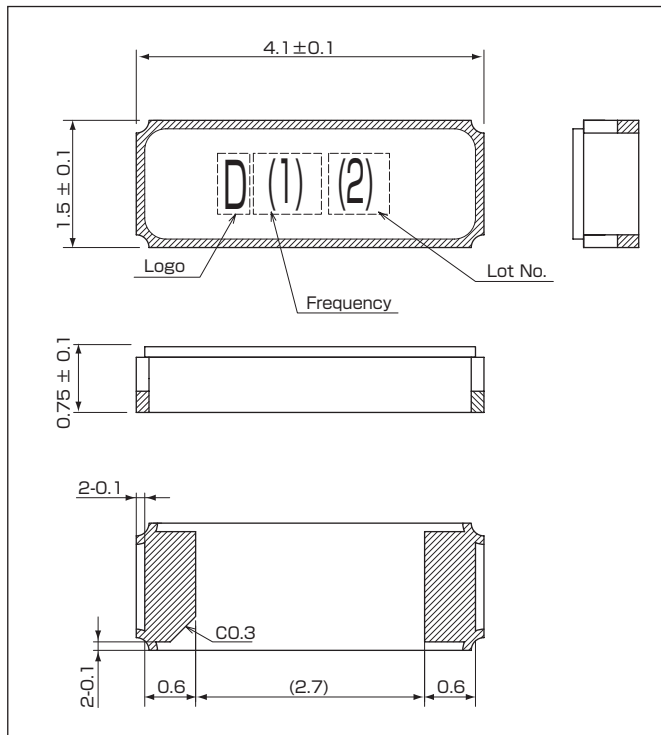
■ Generic Specification

Item	Type	DST410S
Frequency Range		32.768kHz
Vibration Mode		Fundamental
Load Capacitance		Series,8pF,9pF,12pF
Drive Level		0.2 μW(1.0 μW max.)
Frequency Tolerance		±20×10 ⁻⁶ , ±30×10 ⁻⁶ (at 25°C)
Series Resistance		80kΩ max.
Parabolic Temperature		+25°C±5°C
Two Dimensional Temperature Constant		-0.04×10 ⁻⁶ /°C ²
Operating Temperature Range		-40°C~+85°C
Storage Temperature Range		-40°C~+85°C
Shunt Capacitance		1.25pF Typ.

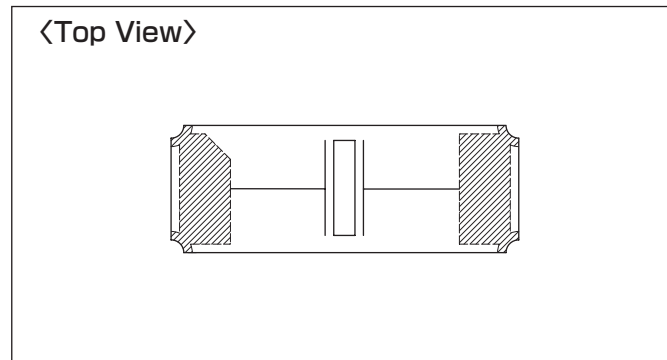
Packing Unit : 3000pcs./reel

Consult our sales representative for other specifications or special specifications.

■ Dimensions[mm]



■ Internal Connections



■ Recommended Land Pattern [mm]

