

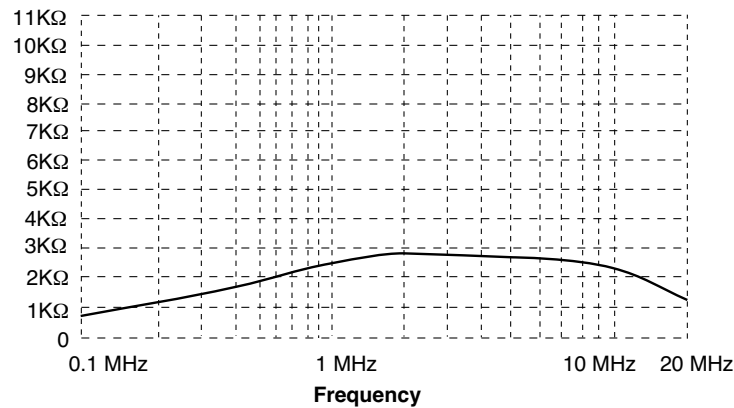


- Used in DC/DC Converter
- UL94V-0 Recognized Materials
- UL1446 Clas B Insulating System
- Operating Temperature : -40°C to +85°C
- Noise suppression Choke
- 1.5 A Rated Current
- 250 Vrms Isolation

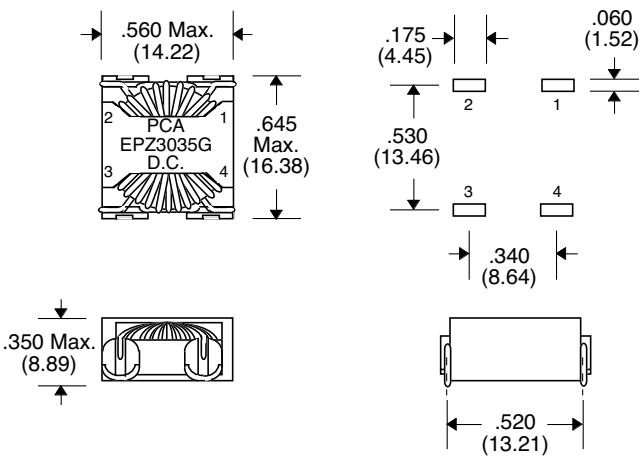
### Electrical Parameters @ 25° C

Inductance (mH $\pm$ 30%)	DCR (m $\Omega$ Max.)	Turns Ratio	SRF (MHz Typ. )
@10 KHz, 0.1 Vrms	Matched with $\pm$ 5%		
Pins 1-2, 3-4	Pins 1-2, 3-4	Pins 1-2 : 3-4	
1.0	60	1 : 1	2.0

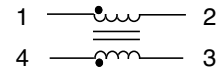
### Impedance Curve



### Package



### Schematic



Unless Otherwise Specified Dimensions are in Inches /mm  $\pm$  .010 / .25