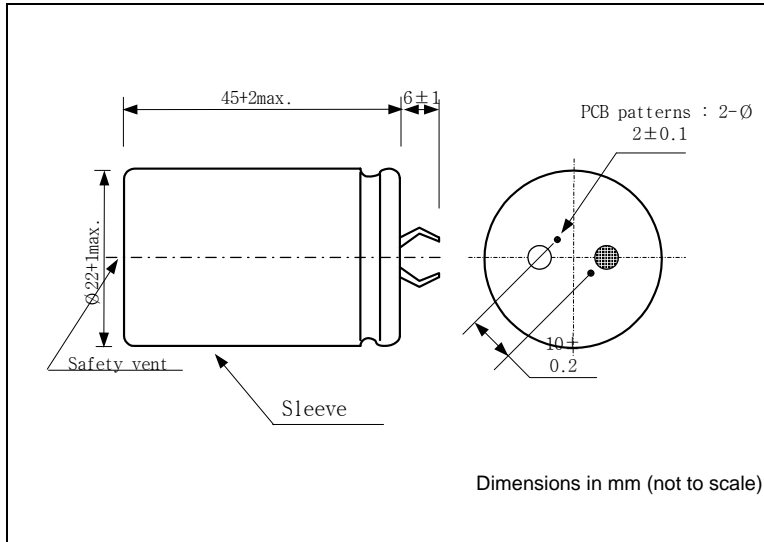


NESSCAP 100F/2.7V

ESHSR-0100C0-002R7

■ Features

- Cylindrical cell
- Snap-in terminals



■ Specifications

| | | | |
|---|---------------------------|---|---|
| Rated Capacitance, C (DCC⁽¹⁾, 25°C) | 100 Farads | (1) Discharging with constant current | |
| Capacitance Tolerance | -10% / +20% | | |
| Rated Voltage, V_R | 2.7 V | | |
| Surge Voltage | 2.85 V | | |
| Rated Current (25°C)⁽²⁾ | 21.4 A | (2) 5 sec discharge rate to 1/2 V_R | |
| Max. Current (25°C)⁽³⁾ | > 58.7 A | (3) 1 sec discharge rate to 1/2 V_R | |
| Max. Stored Energy (at V_R) | 364.5J (0.1013 Wh) | | |
| Specific Energy | Gravimetric | 4.50 Wh/kg | |
| | Volumetric | 5.92 Wh/l | |
| Specific Power⁽⁴⁾ (at matched load) | Gravimetric | 6.23 kW/kg | (4) Power density at which one-half the energy of the discharge is in the form of electricity and one-half is in heat. |
| | Volumetric | 8.20 kW/l | |
| Maximum Internal Resistance (ESR) | AC (1kHz) | 10 mΩ | |
| | DC (11A) | 13 mΩ | |
| Dimensions | φ 22 x 45 mm | | |
| Volume | 17.1 ml | | |
| Weight | 22.5 g | | |
| Operating temperature range⁽⁵⁾ | -40 ~ 60 °C | (5) ΔC < 20% and ESR < 2 times of initially measured value at 25°C, respectively | |
| Storage temperature range | -40 ~ 70 °C | | |
| Max. Leakage Current, L_C (12h, 25°C) | 1.7 mA | | |
| Life Time at RT⁽⁶⁾ | 10 years | (6) ΔC < 30% and ESR < 2 times of initially measured value, respectively and LC < specified value | |
| Cycle Life (25°C)^{(6), (7)} | 500,000 cycles | (7) 1 cycle: charging to V_R for 20s, constant voltage charging for 10s, discharging to 1/2V_R for 20s, rest for 10s | |

© NESSCAP 2003. All Rights reserved. Design, Specifications are subject to change without notice.