

E-Series Plug-In Mixer

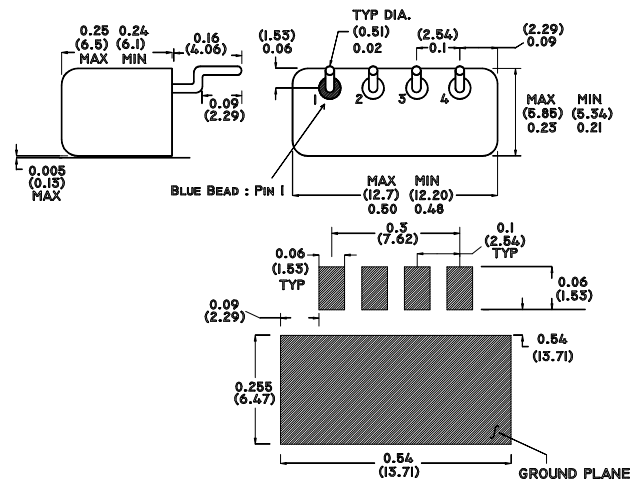
50 - 1000 MHz

ETUF-2MHSM

Features

- * LO Power +13 dBm
- * Up to +9 dBm RF

R-15



Specifications @ 25°C

Frequency Range	
RF	50 - 1000 MHz
LO	50 - 1000 MHz
IF	DC - 1000 MHz

Conversion Loss (dB)	Typical	
100 - 500 MHz	5.5	7.5
50 - 1000 MHz	7	9

Isolation (dB)	Typical	Minimum
LO to RF		
50 - 500 MHz	58	40
50 - 1000 MHz	47	30
500 - 1000 MHz	37	25
LO to IF		
50 - 500 MHz	55	35
	47	20

Operating Characteristics

Impedance	50 Ohms Nominal
RF input for 1dB Compression	+ 9 dBm
DC Polarity	Positive

Absolute Maximum Ratings

Parameter	Absolute Maximum
RF Power	200 mW
Peak IF Current	40 mA
Storage Temperature	-55°C to 100°C
Operating Temperature	-55°C to 100°C
Pin Temperature (10 Seconds)	260°C

Function	Pin No.
LO	4
RF	1
IF	2
Ground	3
Case Ground	3
Unconnected	-



ISO 9001
CERTIFIED

E-Series Plug-In Mixer

50 - 1000 MHz

ETUF-2MHSM

Additional Specifications :

LR Isolation @ 140MHz > 45dB

LR Isolation @ 420MHz > 45dB