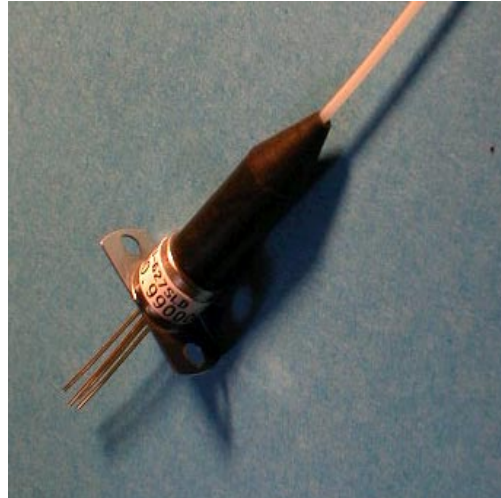


MITSUBISHI (OPTICAL DEVICES)
FU-627SLD-F1

1.55 μm LD MODULE WITH SINGLEMODE FIBER PIGTAIL

DESCRIPTION

Module type FU-627SLD-F1 has been developed for coupling a singlemode optical fiber and a 1.55 μm wavelength In GaAsP LD (Laser diode). FU-627SLD-F1 is suitable to light source for high-speed long haul digital optical communication systems and measuring instruments.



FEATURES

- High-speed response
 - Emission wavelength is in 1.55 μm band
 - Low threshold current (10mA typ.)
 - With photodiode for optical output monitor
 - MQW* active layer
 - FSBH** structure fabricated by all MOCVD process
- *Multiple quantum well
 **Facet selective-growth buried heterostructure

APPLICATION

Trunk Line, FitL

ABSOLUTE MAXIMUM RATINGS (Tc=25°C)

Parameter		Symbol	Conditions	Rating	Unit
Laser diode	Optical output power from fiber end	Pf	CW	2.4	mW
	Reverse voltage	Vrl	-	2	V
Photodiode for monitoring	Reverse voltage	Vrd	-	15	V
	Forward current	I _{fd}	-	2	mA
Operating case temperature		Tc	-	-20~+75	°C
Storage temperature		Tstg	-	-40~+85	°C

MITSUBISHI (OPTICAL DEVICES)
FU-627SLD-F1

1.55 μm LD MODULE WITH SINGLEMODE FIBER PIGTAIL

ELECTRICAL/OPTICAL CHARACTERISTICS (Tc=25°C, unless otherwise noted)

Parameter	Symbol	Test Conditions	Limits			Unit
			Min.	Typ.	Max.	
Threshold current	I _{th}	CW	-	10	35	mA
Operating current	I _{op}	CW	-	30	60	mA
Operating Voltage	V _{op}	CW, I _f =I _{op} (Note 1)	-	1.2	1.7	V
Optical output power from fiber end	P _f	CW, I _f =I _{op}	1.0	1.5	-	mW
Center wavelength	λ_c	CW, I _f =I _{op}	1520	1550	1580	nm
Spectral bandwidth (RMS) (Note 3)	$\Delta\lambda$	CW, I _f =I _{op}	-	2	4	nm
Rise and fall times	t _r , t _f	I _b =I _{th} , 10~90% (Note 2)	-	0.3	1	ns
Tracking error (Note 4)	E _r	T _c =0~75°C, APC	-	0.4	1.5	dB
Differential efficiency	η	-	-	0.075	-	mW/mA
Monitor current	I _{mon}	CW, I _f =I _{op} , V _{rd} =5V	0.1	0.6	-	mA
Dark current (Photodiode)	I _d	V _{rd} =5V	-	0.1	0.5	μA
Capacitance (Photodiode)	C _t	V _{rd} =5V, f=1MHz	-	-	20	pF

Note 1. I_f : Forward current (LD)

2. I_b : Bias current (LD)

3. $\Delta\lambda = ((\sum a_i * (\lambda_i - \lambda_c)^2) / \sum a_i)^{1/2}$

Where $a_i \geq a_p \times 0.01$

a_i : Relative intensity of laser spectral emission modes

a_p : Peak of laser spectral emission modes

4. $E_r = \text{MAX} | 10 \times \log(P_f(T_c) / P_f(25^\circ\text{C})) |$

OPTICAL FIBER SPECIFICATION

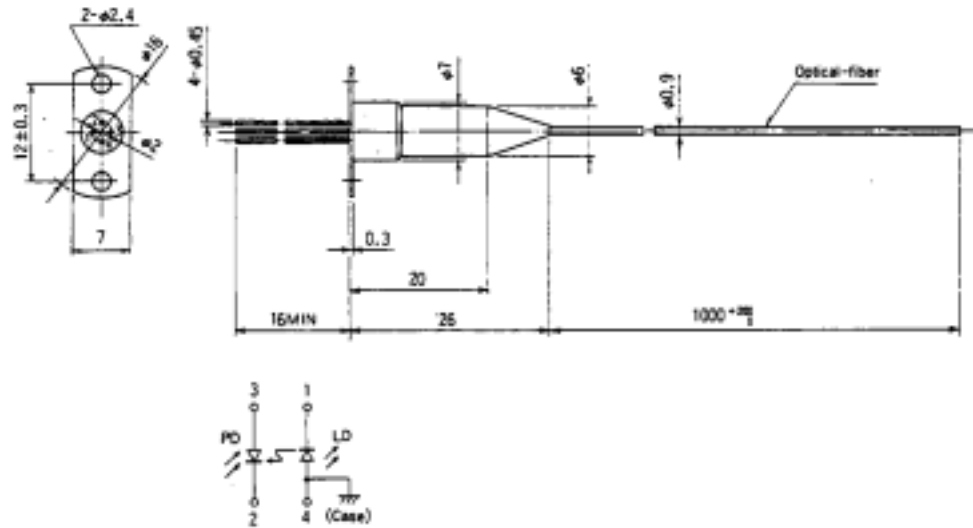
Parameter	Limits	Unit
Type	SM	-
Mode field dia.	9.5 \pm 1	μm
Cladding dia.	125 \pm 2	μm
Jacket dia.	0.9 typ.	mm

MITSUBISHI (OPTICAL DEVICES)
FU-627SLD-F1

1.55 μm LD MODULE WITH SINGLEMODE FIBER PIGTAIL

OUTLINE DIAGRAM

(Unit : mm)



FU-627SLD-F1