

FOX CERAMIC SMD CRYSTAL Model: FX252B SERIES



FEATURES

- Ultra Low Profile
- Fundamental

OPTIONS

- Tolerances to ± 10 PPM
- Stabilities to ± 10 PPM
- Temp Range to $-40^{\circ}\text{C} \sim +85^{\circ}\text{C}$



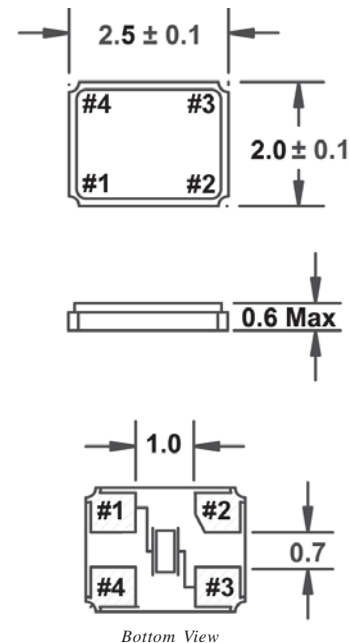
Quote it!

Learn more about:
Part Marking Identification
Tape and Reel Specification
Internet required

• PART NUMBER <small>Learn More - Internet Required</small>		
Part Number	Model Number	Frequency Range (MHz)
637-Frequency-xxxxx	FX252B	16.000 ~ 54.000

• STANDARD SPECIFICATIONS ¹	
PARAMETERS	MAX (unless otherwise noted)
Frequency Range	16.000 ~ 54.000 MHz
Frequency Tolerance @ 25°C	± 50 PPM ¹
Frequency Stability, ref @ 25°C Over Operating Temp Range	± 50 PPM ¹
Temperature Range	
Operating (TOPR)	$-10^{\circ}\text{C} \sim +60^{\circ}\text{C}$ ¹
Storage (TSTG)	$-40^{\circ}\text{C} \sim +85^{\circ}\text{C}$
Shunt Capacitance (Co)	5 pF
Load Capacitance (CL)	10 pF~Series (Customer Specified)
Drive Level	100 μW
Aging per year	± 5 PPM
Reflow Soldering Temperature	260°C x 10 Seconds (2 Cycles)
Moisture Sensitivity Level (MSL)	1
Termination Finish	Au

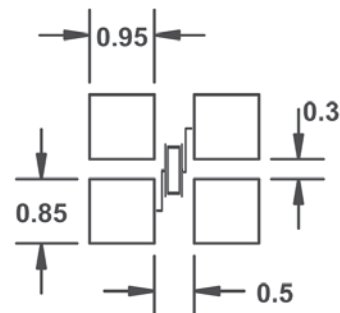
¹ Tolerances and stabilities to ± 10 PPM, operating temps to $-40^{\circ}\text{C} \sim 85^{\circ}\text{C}$ available.
All specifications subject to change without notice. Rev. 6/2/05



Developed Frequencies	
16.000	19.200
19.680	19.800
24.000	26.000
32.000	48.000
54.000	

Frequency Range (MHz)	Operating Mode	Max ESR Ω
16.000 ~ 26.000	Fundamental	200
26.000+ ~ 35.000	Fundamental	100
35.000+ ~ 54.000	Fundamental	50

Recommended Solder Pad Layout



All dimensions are in millimeters.