

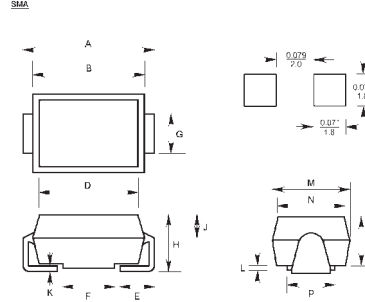


GRN3 THRU GRN7

**SURFACE MOUNT GLASS PASSIVATED JUNCTION
FAST SWITCHING RECTIFIER**
Reverse Voltage - 50 to 600 Volts
Forward Current - 1.0 Ampere

Features

- Plastic package has Underwriters Laboratory Flammability Classification 94V-0
- Ideal for surface mount automotive applications
- High temperature metallurgically bonded construction
- Glass passivated cavity-free junction
- Capable of meeting environmental standards of MIL-S-19500
- Built-in strain relief
- Easy pick and place
- Fast switching for high efficiency
- High temperature soldering guaranteed: 450°C/5 seconds at terminals
- Complete device submersible temperature of 265°C for 10 seconds in solder bath



DIM	DIMENSIONS				Note
	Inches		mm		
	Min.	Max.	Min.	Max.	
A	0.216	0.226	5.48	5.74	
B	0.176	0.182	4.48	4.63	
C	0.094	0.100	2.40	2.55	
D	0.170	0.176	4.33	4.48	
E	0.039	0.055	1.00	1.40	
F	0.060	0.081	2.03	2.07	
G	0.068	0.083	1.72	2.10	
H	0.112	0.118	2.85	3.00	
J	0.057	-	1.44	-	
K	-	0.018	-	0.45	
L	0.016	-	0.40	-	
M	0.109	0.115	2.77	2.93	
N	0.105	0.107	2.67	2.73	
P	0.078	0.081	2.00	2.05	

Mechanical Data

- **Case:** SMA molded plastic over glass body
- **Terminals:** Solder plated, solderable per MIL-STD-750, method 2026
- **Polarity:** Color band denotes cathode end
- **Mounting Position:** Any
- **Weight:** 0.004 ounce, 0.118 gram

Maximum Ratings and Electrical Characteristics

Ratings at 25°C ambient temperature unless otherwise specified.

	Symbols	GRN3	GRN4	GRN5	GRN6	GRN7	Units
Maximum repetitive peak reverse voltage	V_{RRM}	50	100	200	400	600	Volts
Maximum RMS voltage	V_{RMS}	35	70	140	280	420	Volts
Maximum DC blocking voltage	V_{DC}	50	100	200	400	600	Volts
Maximum average forward rectified current at $T_L=120^\circ\text{C}$	$I_{(AV)}$	1.0					Amp
Peak forward surge current 8.3mS single half sine-wave superimposed on rated load (MIL-STD-750D 4066 method)	I_{FSM}	30.0					Amps
Maximum instantaneous forward voltage at 1.0A	V_F	1.30					Volts
Maximum full load reverse current, full cycle average, $T_A=55^\circ\text{C}$	$I_{R(AV)}$	50.0					μA
Maximum DC reverse current at rated DC blocking voltage $T_A=25^\circ\text{C}$ $T_A=125^\circ\text{C}$	I_R	5.0 100.0					μA
Maximum reverse recovery time (Note 1)	T_{rr}	150	250		500		nS
Typical junction capacitance (Note 2)	C_j	8.5					pF
Typical thermal resistance (Note 3)	$R_{\theta(JA)}$ $R_{\theta(JL)}$	85.0 28.0					$^\circ\text{C/W}$
Operating junction and storage temperature range	T_J, T_{STG}	-65 to +175					$^\circ\text{C}$

Notes:

- (1) Reverse recovery test conditions: $I_F=0.5\text{A}$, $I_R=1.0\text{A}$, $I_{rr}=0.25\text{A}$
- (2) Measured at 1.0MHz and applied reverse voltage of 4.0 volts
- (3) Thermal resistance from junction to ambient and from junction to lead P.C.B. mounted on 0.2X0.2" (5.0X5.0mm) copper pad areas

RATINGS AND CHARACTERISTIC CURVES

