

HF9112

TO-5 SENSITIVE DPDT HERMETICALLY SEALED RELAY



Features

- Coil power consumption:0.25W
- Height:7.11mm
- High ambient applicability
- All metal welded construction
- Hermetically welded and marked by laser

Conform to military standard: GJB1042A-2002 MIL-R-5757

AMBIENT ADAPTABILITY

Ambient Grade	I		II
Ambient Temperature	-55°C ~ 85°C		-65°C ~ 125°C
Humidity			98%, 40°C
Low Air Pressure			4.4KPa
Vibration Resistance	Frequency	10Hz ~2000Hz	10Hz ~ 3000Hz
	Acceleration	196m/s ²	294m/s ²
Shock Resistance			735m/s ²
Acceleration			490m/s ²
Random Vibration			40(m/s ²)/Hz
Implementation Standard			GJB1042A-2002 (MIL-R-5757)

CONTACT DATA

Arrangement			2C
Contact Material			Gold/Platinum/Palladium/Silver alloy(Gold plated)
Contact Resistance max.	Initial	100mΩ	
	After Life	200mΩ	

Contact Ratings

Ambient Grade	Contact Load	Type	Electrical Life min.
I	0.5A 28Vd.c.	Resistive	1 x 10 ⁵ ops
	0.5A 28Vd.c.	Resistive	1 x 10 ⁵ ops
II	1A 28Vd.c.	Resistive	1 x 10 ⁴ ops
	0.1A 115Va.c.	Resistive	1 x 10 ⁵ ops
	0.2A 28Vd.c. 320mH	Inductive	1 x 10 ⁵ ops
	0.1A 28Vd.c.	Lamp	1 x 10 ⁵ ops
	50μA 50mVd.c.	Low Level	1 x 10 ⁵ ops

SPECIFICATION

Ambient Grade	I		II
Insulation Resistance min.	1000MΩ (@ 500Vd.c.)		10000MΩ (@ 500Vd.c.)
Dielectric Strength min. (Normal condition)	Between open contacts	500Vr.m.s.	500Vr.m.s.
	Between contacts & coil	500Vr.m.s.	500Vr.m.s.
	Between contacts & cover	500Vr.m.s.	500Vr.m.s.
	Between contacts sets	500Vr.m.s.	500Vr.m.s.
	Between coil & cover	500Vr.m.s.	500Vr.m.s.
Dielectric Strength min. (Low air pressure condition)	125Vr.m.s.		125Vr.m.s.
Leakage Rate	1 Pa·cm ³ /s		1 x 10 ⁻³ Pa·cm ³ /s



HONGFA RELAY

ISO9001、ISO/TS16949、ISO14001、OHSAS18001 CERTIFIED

2007 Rev. 1.00

SPECIFICATION

Ambient Grade	I	II
Operate Time max.	2ms	
Release Time max.	1.5ms	
Mounting Style	In-line package	
Terminals	PCB	
Work Position	Any position	
Weight	2.55g	

COIL DATA

Norminal Coil Power	0.25W
---------------------	-------

Coil Version

Vd.c.

Coi Voltage		25°C				-65°C ~ 125°C	
Nominal	Max	Pick-up Voltage max.	Hold Voltage max.	Drop-out Voltage min.	Coil Resistance (1±10%)Ω	Pick-up Voltage max.	Drop-out Voltage min.
007	8.4	4.8	2.4	0.34	230	5.5	0.22

Notes: We can offer many kinds of of coil voltage under the requirement of users.

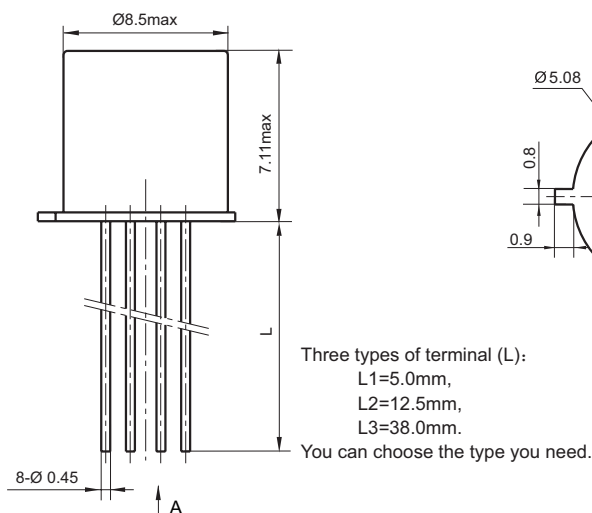
ORDERING INFORMATION

Type	HF9112	-007	01	I
Coil Voltage	7Vd.c.			
Terminals Length	01: 5mm	02: 12.5mm	03: 38mm	
Ambient Grade	I , II			

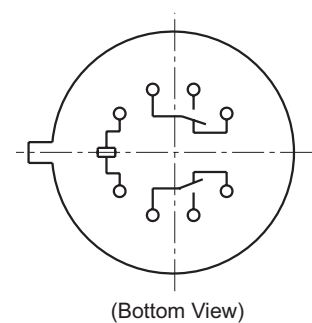
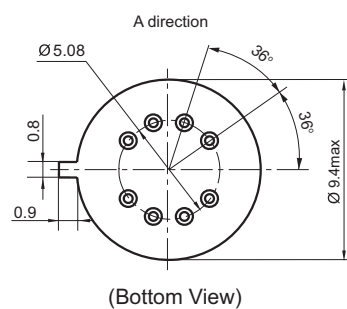
OUTLINE DIMENSIONS AND WIRING DIAGRAM

Unit: mm

Outline Dimensions



Wiring Diagram



Disclaimer

This datasheet is for the customers' reference. All the specifications are subject to change without notice. We could not evaluate all the performance and all the parameters for every possible application. Thus the user should be in a right position to choose the suitable product for their own application. If there is any query, please contact Hongfa for the technical service. However, it is the user's responsibility to determine which product should be used only.

© Xiamen Hongfa Electroacoustic Co., Ltd. All rights of Hongfa are reserved.