

Round Type

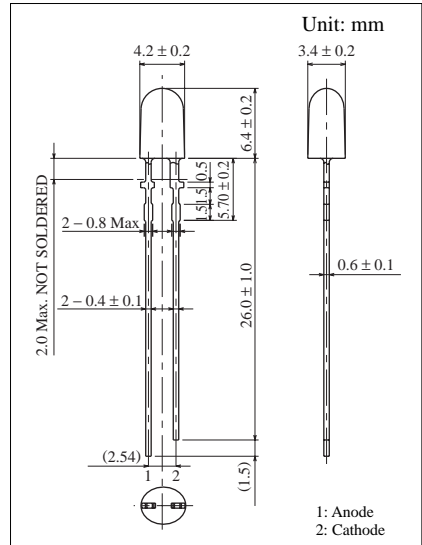
φ 4.0 mm InGaAlP

Conventional Part No. Global Parts No. Lighting Color
 LNW8A8SY8 LNW8A8SY8 Soft Orange

■ Absolute Maximum Ratings ($T_a = 25^\circ\text{C}$)

| Lighting Color | P_D (mW) | I_F (mA) | I_{FP} (mA)* | V_R (V) | T_{opr} ($^\circ\text{C}$) | T_{stg} ($^\circ\text{C}$) |
|----------------|------------|------------|----------------|-----------|--------------------------------|--------------------------------|
| Soft Orange | 125 | 50 | 150 | 4 | -25 ~ +85 | -30 ~ +100 |

I_{FP} の条件は $duty$ 10% ,Pulse width 1 msec. The condition of I_{FP} is duty 10%, Pulse width 1 msec



■ Electro-Optical Characteristics ($T_a = 25^\circ\text{C}$)

| Conventional Part No. | Lighting Color | Lens Color | I_O | | I_F | V_F | | λ_P | $\Delta\lambda$ | I_F | I_R | |
|-----------------------|----------------|------------|-------|-----|-------|-------|-----|-------------|-----------------|-------|---------------|-------|
| | | | Typ | Min | | Typ | Max | | | | Max | V_R |
| LNW8A8SY8 | Soft Orange | Clear | 250 | — | 20 | 2.0 | 2.5 | 620 | 15 | 20 | 100 | 4 |
| Unit | | — | mcd | mcd | mA | V | V | nm | nm | mA | μA | V |

