

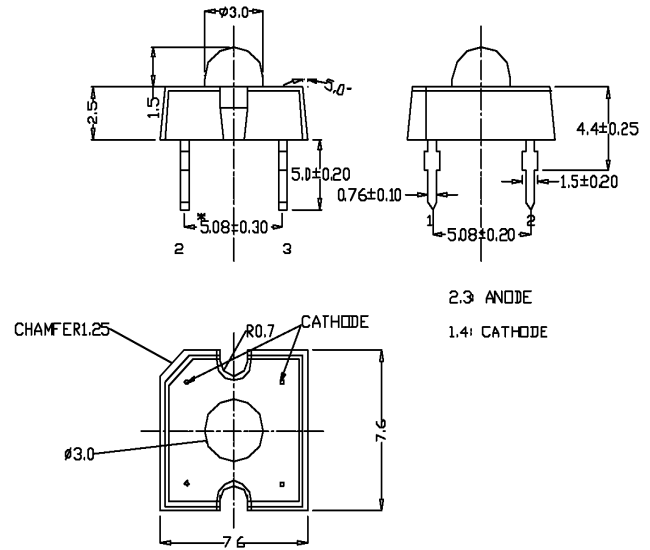
LP377PWN1-60G

Features

Water Clear Lens
 Low Profile
 4 Pin Plastic Package
 High Flux Output
 High Current Operation

Applications

Automotive Interior Exterior Lighting
 Rail Signals
 Traffic Control Devices
 Channel Letters
 Strip Lighting
 Architectural Lighting



NOTES:
 1. All Dimensions are in mm. Tolerance is ± 0.25 mm.
 2. An Epoxy Meniscus may extend about 1.5mm down the leads.
 3. Burr around bottom of epoxy may be 0.5mm Max.

Maximum Ratings (Ta=25°C)

Characteristic	Symbol	Max.	Unit
Forward Current	I _F	30	mA
Reverse Voltage	V _R	5	V
Power Dissipation	P _D	132.00	mW
Operating Temperature	T _{opr}	-40 ~ +95	°C
Storage Temperature	T _{stg}	-40 ~ +100	°C
Soldering Temperature	T _{sol}	260	°C
Soldering Time	-	for 3 sec. max	-

Opto-Electrical Characteristics (Ta=25°C)

Characteristic	Symbol	Test Condition	Min	Typ	Max	Unit
Forward Voltage	V _F	I _F =30mA	-	3.60	4.40	V
Reverse Current	I _R	V _R =5V	-	-	100	μA
Luminous Flux	Φ	I _F =30mA	770.00	1800.00	-	mlm
Viewing Angle	2θ ^{1/2}	-	-	70°	-	deg.
Peak Wavelength	λ _p	I _F =30mA	-	465	-	nm
Dominant Wavelength	λ _d	I _F =30mA	-	X=.30, Y=.31	-	nm

LP377PWN1-60G Graphs

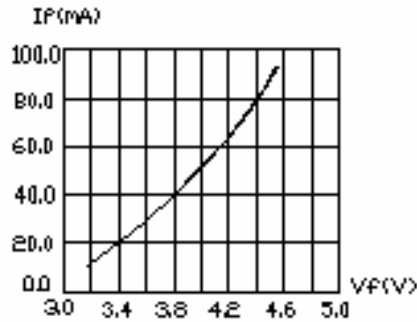


FIG.1 FORWARD CURRENT VS. FORWARD VOLTAGE

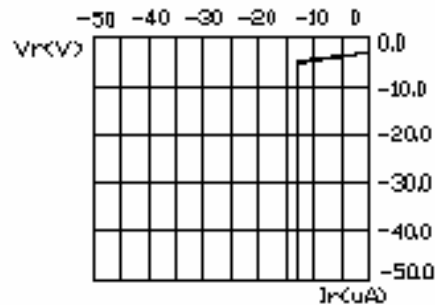


FIG.2 REVERSE CURRENT VS. REVERSE VOLTAGE

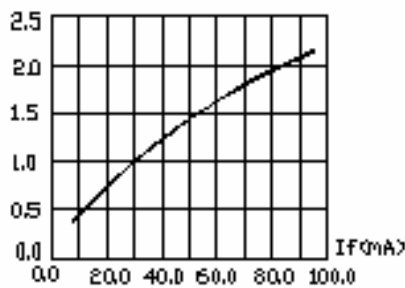


FIG.3 RELATIVE LUMINOUS INTENSITY VS. FORWARD CURRENT



FIG.4 RELATIVE LUMINOUS INTENSITY VS. WAVELENGTH

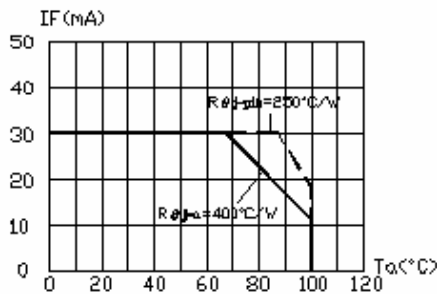


FIG.5 MAXIMUM FORWARD CURRENT VS. AMBIENT TEMPERATURE (Tjmax=120°C)

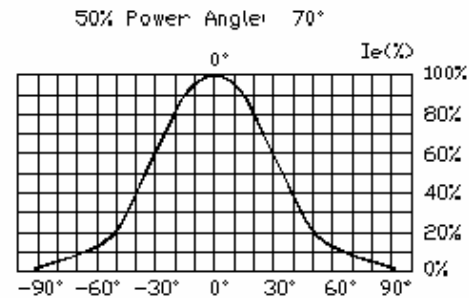


FIG.6 FAR FIELD PATTERN

1. Cathode PAD Area (0.18 X 0.18 X 2inch²)
2. Height above nominal seating plane in inches(0.3inch)