

# Monolithic crystal filter

## MQF45.0-5000/08

### Application

- 4 pol filter
- i.f.- filter
- use in mobile and stationary transceivers

### Limiting values

		Unit	Value
Center frequency	$f_0$	MHz	45.0
Insertion loss		dB	$\leq 3.0$
Pass band at 3.0 dB		kHz	$\pm 25.00$
Ripple in pass band	$f_0 \pm 25.00$ kHz	dB	Gaussian
Stop band attenuation	$f_0 \pm 100$ kHz	dB	$\geq 35$
Alternate attenuation		dB	$> 60$ except spurious
Group delay distortion	$f_0 \pm 25$ kHz	$\mu$ s	$< 2.5$

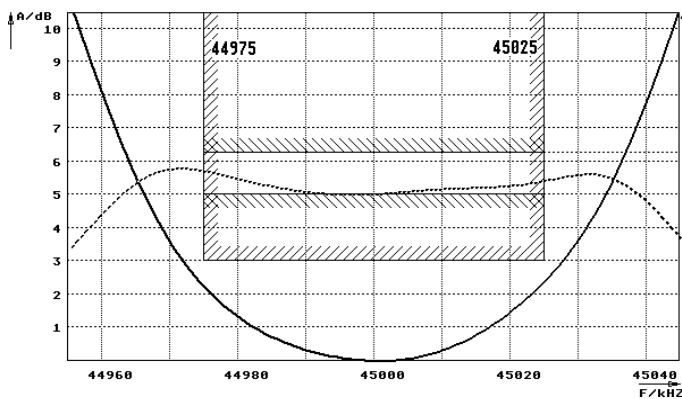
### Terminating impedance Z

R1    C1		Ohm/pF	2700    -0.3
R2    C2		Ohm/pF	2700    -0.3
Coupling capacitance	Ck	pF	1.5

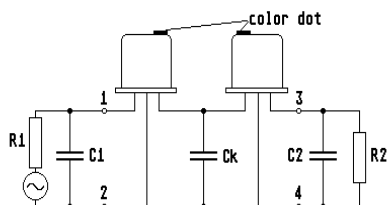
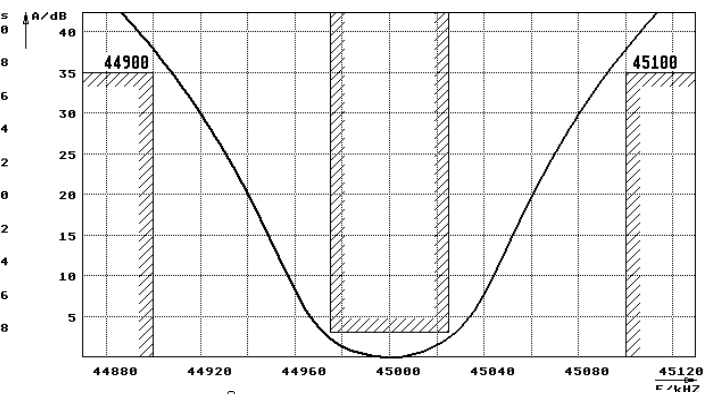
Operating temp. range		$^{\circ}$ C	-20... +70
-----------------------	--	--------------	------------

### Characteristics MQF45.0-5000/08

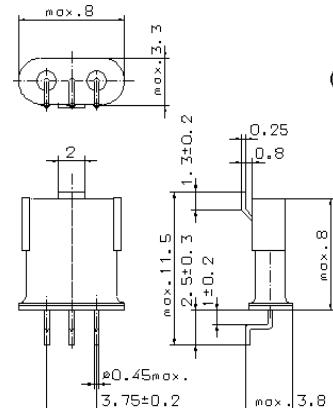
#### Pass band



#### Stop band



Pin connections: 1 Input  
2 Input-E  
3 Output  
4 Output-E



GH9S2