

MICRO ELECTRONICS

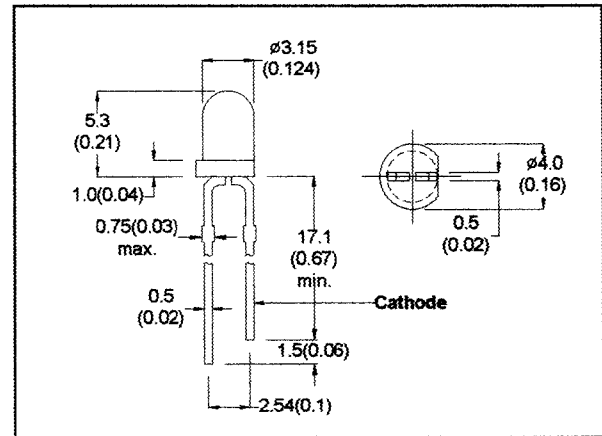
MS31DA
MS31TA
MS31WA

RED LED LAMPS

DESCRIPTION

MS31XA Series are ultra high brightness GaAlAs red LED lamp with 3mm diameter epoxy package.

MS31CA is GaAlAs red chip with red transparent lens.
MS31DA is GaAlAs red chip with red diffused lens.
MS31TA is GaAlAs red chip with clear transparent lens.
MS31WA is GaAlAs red chip with clear diffused lens.



- All Dimension in mm (inch)
- No Scale
- Tol : +/- 0.3mm

ABSOLUTE MAXIMUM RATINGS

Power Dissipation @Ta=25°C	100mW
Forward Current, DC (IF)	40mA
Reverse Voltage	5V
Operating & Storage Temperature Range	-55 to +100°C
Lead Soldering Temperature (1/16" from body)	260°C for 5 sec.

ELECTRO-OPTICAL CHARACTERISTICS (Ta=25°C)

PARAMETER	SYMBOL	MS31CA	MS31DA	MS31TA	MS31WA	UNIT	CONDITIONS
Forward Voltage	MAX VF	2.4	2.4	2.4	2.4	V	IF=20mA
Reverse Breakdown Voltage	MIN BVR	5	5	5	5	V	IR=100 μA
Luminous Intensity	MIN IV	50	20	50	20	mcd	IF=20mA
	TYP	75	30	75	30	mcd	
Peak Wavelength	TYP λp	660	660	660	660	nm	IF=20mA
Spectral Line Half Width	TYP Δλ	20	20	20	20	nm	IF=20mA
Viewing Angle	TYP 2θ 1/2	40	60	40	60	degree	IF=20mA

MICRO ELECTRONICS LTD.

38, Hung To Road, Microtron Building, Kwun Tong, Kowloon, Hong Kong.
Kwun Tong P.O. Box 69477 Hong Kong. Fax No. 2341 0321 Telex: 43510 Micro Hx. Tel: 2343 0181-5

Aug-99