

***Customer:**

SPECIFICATION

ITEM	TOP LED DEVICE
MODEL	SSC-MWT801

[Contents]

1. Features -----	2
2. Application -----	2
3. Absolute Maximum Ratings -----	3
4. Electro-optical Characteristics -----	3
5. CIE Chromaticity Diagram -----	4
6. Soldering Profile -----	6
7. Outline Dimension -----	7
8. Packing -----	7
9. Reel Packing Structure -----	8
10. Precaution for Use -----	9
11. Characteristic Diagram -----	10
12. Reliability Test Item and Condition -----	11
<input type="checkbox"/> Criteria for Judging the Damage -----	11

Drawn by	Checked by	Approved by

1. Features

- White colored SMT package.
- Material : InGaN/SiC
- Suitable for all SMT assembly methods ; Suitable for all soldering methods

2. Application

- White back-light
- Electric application
- Lightings

3. Absolute Maximum Ratings ^{*1}

($T_a=25^{\circ}\text{C}$)

Parameter	Symbol	Value	Unit
Power Dissipation	P_d	120	mW
Forward Current	I_F	30	mA
Peak Forward Current	I_{FM}^{*2}	90	mA
Reverse Voltage	V_R	5	V
Operating Temperature	T_{opr}	-40 ~ +100	$^{\circ}\text{C}$
Storage Temperature	T_{stg}	-40 ~ +100	$^{\circ}\text{C}$

*1 Care is to be taken that power dissipation does not exceed the absolute maximum rating of the product.

*2 I_{FM} was measured at $T_w \leq 0.1\text{msec}$ of pulse width and $D \leq 1/10$ of duty ratio.

4. Electro-Optical Characteristics

($T_a=25^{\circ}\text{C}$)

Parameter	Symbol	Condition	Min	Typ	Max	Unit	
Forward Voltage	Rank A	V_F	$I_F=20\text{ mA}$	3.7	-	4.0	V
	Rank B	V_F	$I_F=20\text{ mA}$	3.3	-	3.7	V
	Rank C	V_F	$I_F=20\text{ mA}$	3.0	-	3.3	V
	Rank D	V_F	$I_F=20\text{ mA}$	2.7	-	3.0	V
Reverse Current	I_R	$V_R=5\text{V}$	-	-	50	μA	
Luminous Intensity ^{*1}	Rank P	I_V	$I_F=20\text{ mA}$	900	-	1200	mcd
	Rank O	I_V	$I_F=20\text{ mA}$	700	-	900	mcd
	Rank N	I_V	$I_F=20\text{ mA}$	500	-	700	mcd
Viewing Angle ^{*2}	$2\theta_{1/2}$	$I_F=20\text{ mA}$	-	120	-	deg.	

*1. The luminous intensity I_V was measured at the peak of the spatial pattern which may not be aligned with the mechanical axis of the LED package. Luminous Intensity Measurement allowance is $\pm 10\%$

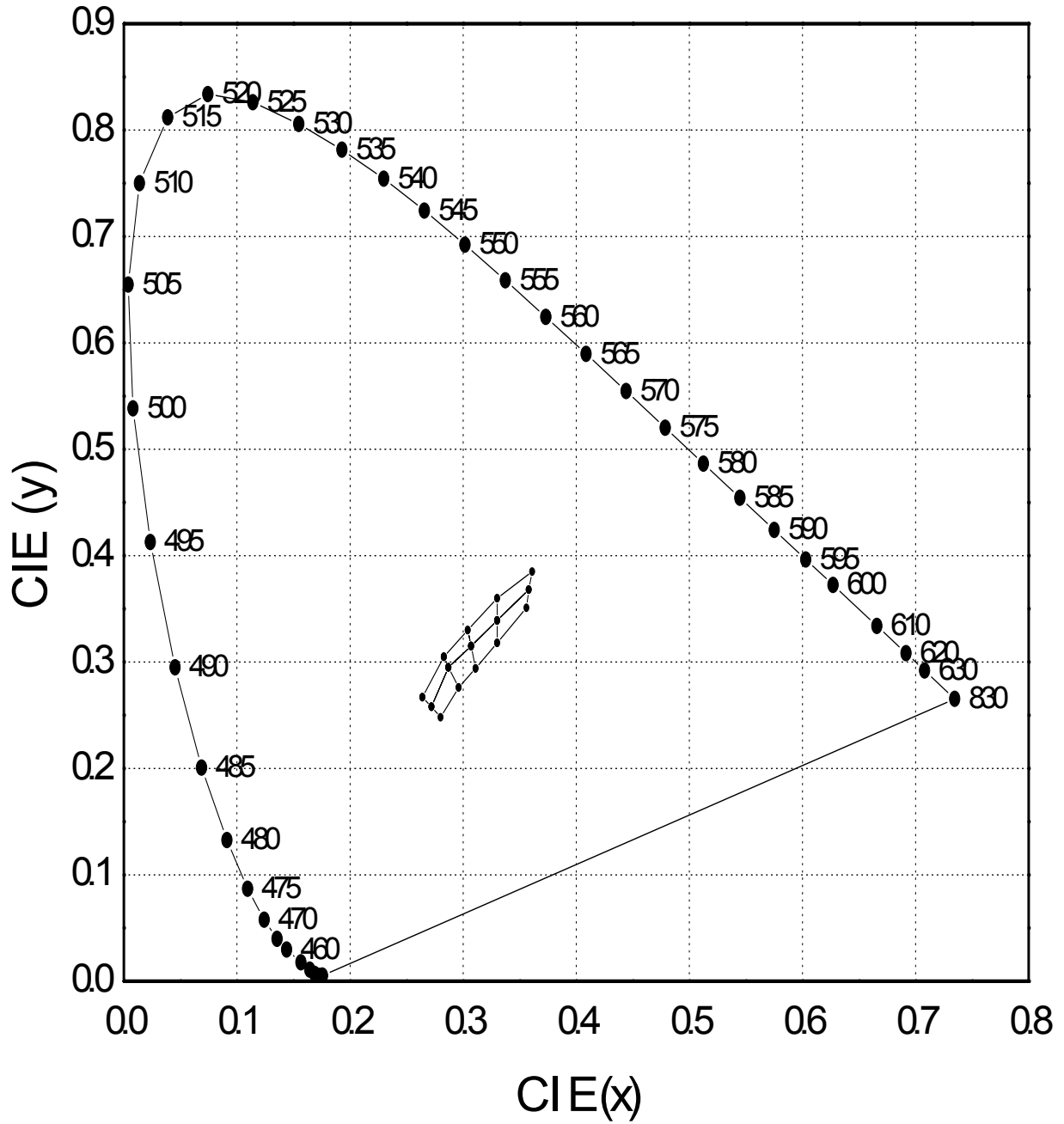
*2. $2\theta_{1/2}$ is the off-axis where the luminous intensity is 1/2 of the peak intensity.

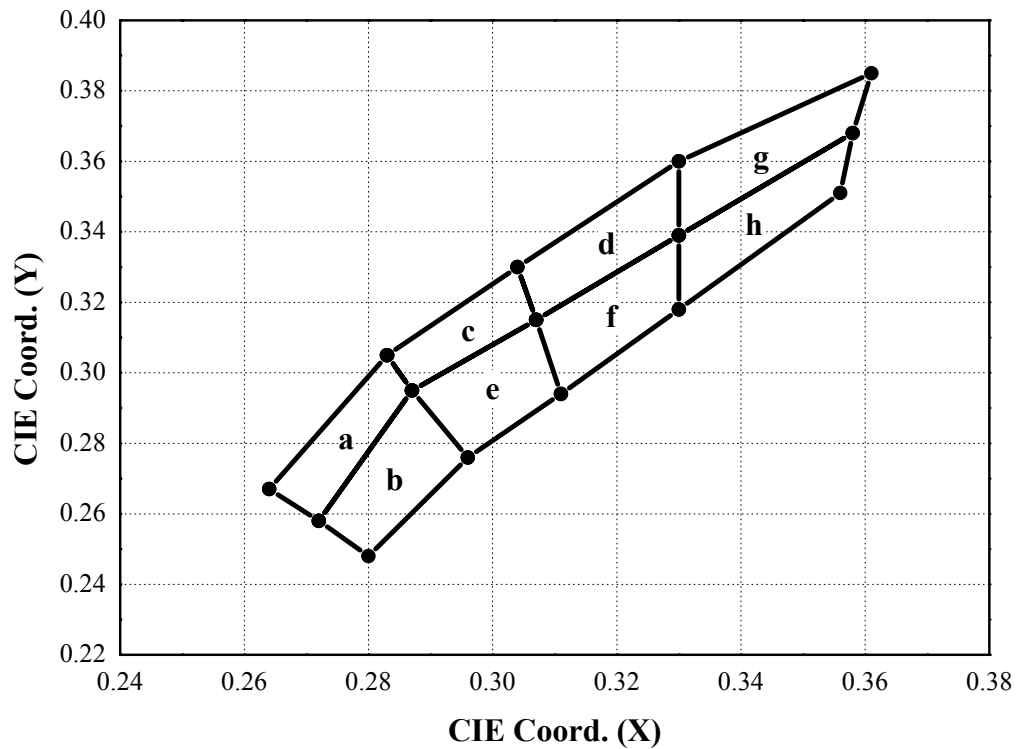
** Ranks of MWT801

Rank	V_F [V]	I_V [mcd]	CIE-xy	Rank	V_F [V]	I_V [mcd]	CIE-xy	Rank	V_F [V]	I_V [mcd]	CIE-xy
Ane	A	N	e	Aoe	A	O	e	Ape	A	P	e
Bne	B	N	e	Boe	B	O	e	Bpe	B	P	e
Cne	C	N	e	Coe	C	O	e	Cpe	C	P	e
Dne	D	N	e	Doe	D	O	e	Dpe	D	P	e
Anf	A	N	f	Aof	A	O	f	Apf	A	P	f
Bnf	B	N	f	Bof	B	O	f	Bpf	B	P	f
Cnf	C	N	f	Cof	C	O	f	Cpf	C	P	f
Dnf	D	N	f	Dof	D	O	f	Dpf	D	P	f

[Note] All measurements were made under the standardized environment of SSC.

5. CIE Chromaticity Diagram





● Color Rank

($I_F=20\text{mA}$, $T_a=25^\circ\text{C}$)

a		b		c		d	
x	y	x	y	x	y	x	y
0.264	0.267	0.272	0.258	0.283	0.305	0.307	0.315
0.272	0.258	0.280	0.248	0.287	0.295	0.330	0.339
0.287	0.296	0.296	0.276	0.307	0.315	0.330	0.360
0.283	0.305	0.287	0.295	0.304	0.330	0.304	0.330
e		f		g		h	
x	y	x	y	x	y	x	y
0.296	0.276	0.311	0.294	0.330	0.360	0.330	0.318
0.311	0.294	0.330	0.318	0.330	0.339	0.330	0.339
0.307	0.315	0.330	0.339	0.358	0.368	0.358	0.368
0.287	0.295	0.307	0.315	0.361	0.385	0.356	0.351

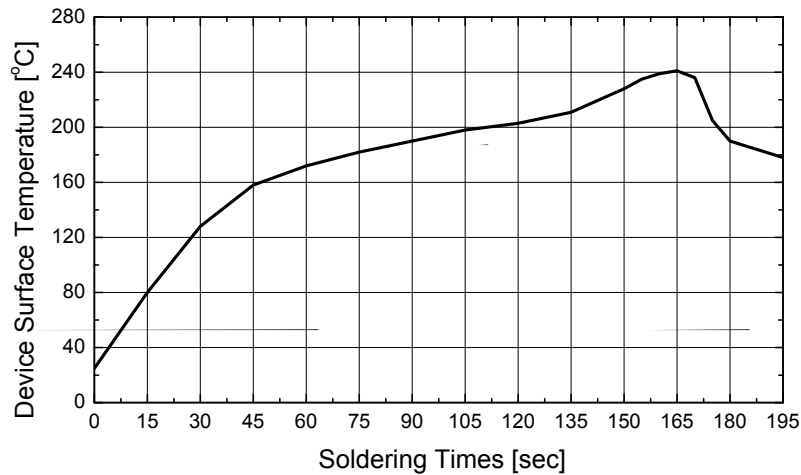
* Measurement Uncertainty of the Color Coordinates : ± 0.01

6. Soldering Profile

(1) Reflow Soldering Conditions / Profile

Preliminary heat to be at maximum 210°C for maximum 2 minutes.

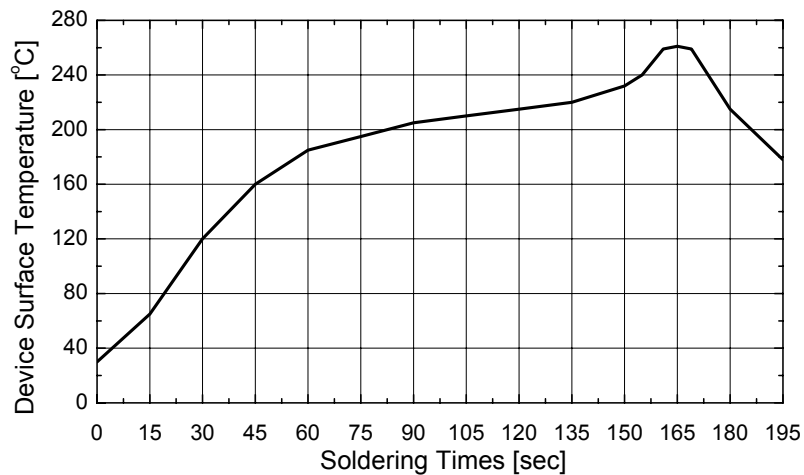
Soldering heat to be at maximum 240°C for maximum 10 seconds.



(2) Lead-free solder

Preliminary heating to be at maximum 220°C for maximum 2 minutes.

Soldering heat to be at maximum 260°C for maximum 10 seconds.

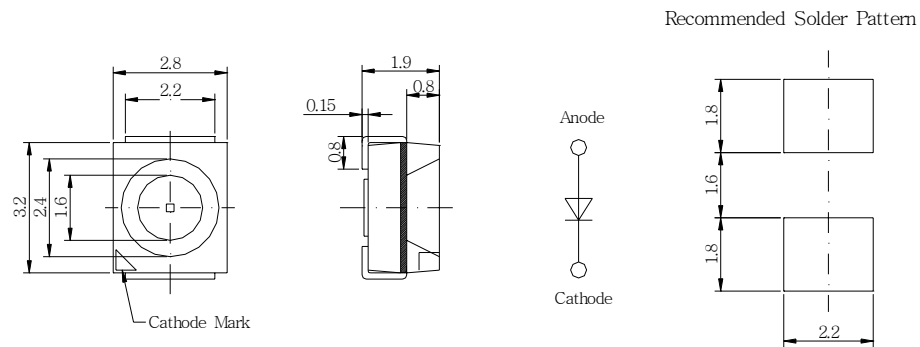


(3) Hand Soldering conditions

Not more than 5 seconds @MAX 300°C, under Soldering iron.

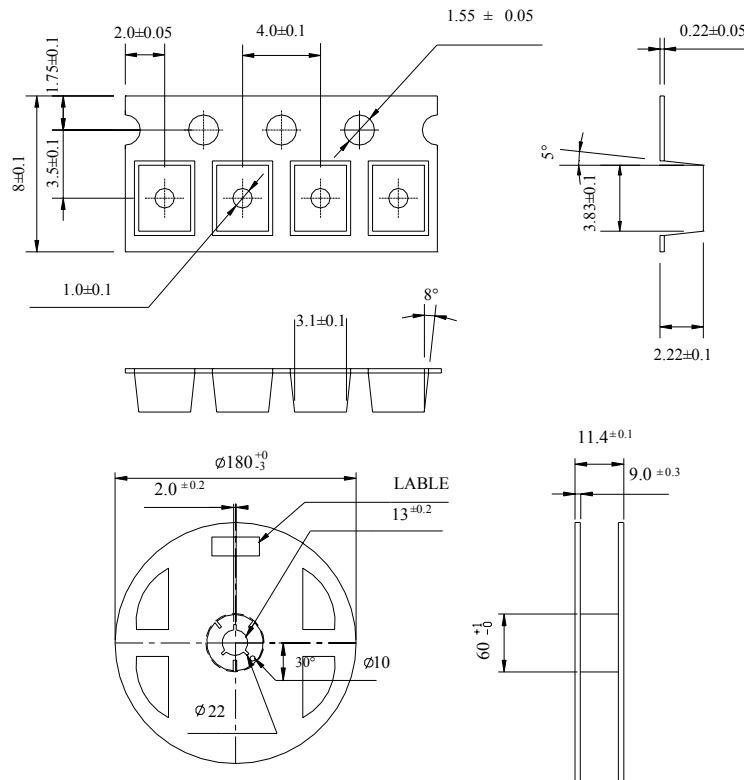
Note : In case that the soldered products are reused in soldering process, we don't guarantee the products.

7. Outline Dimension



(Tolerance: ± 0.2 , Unit: mm)

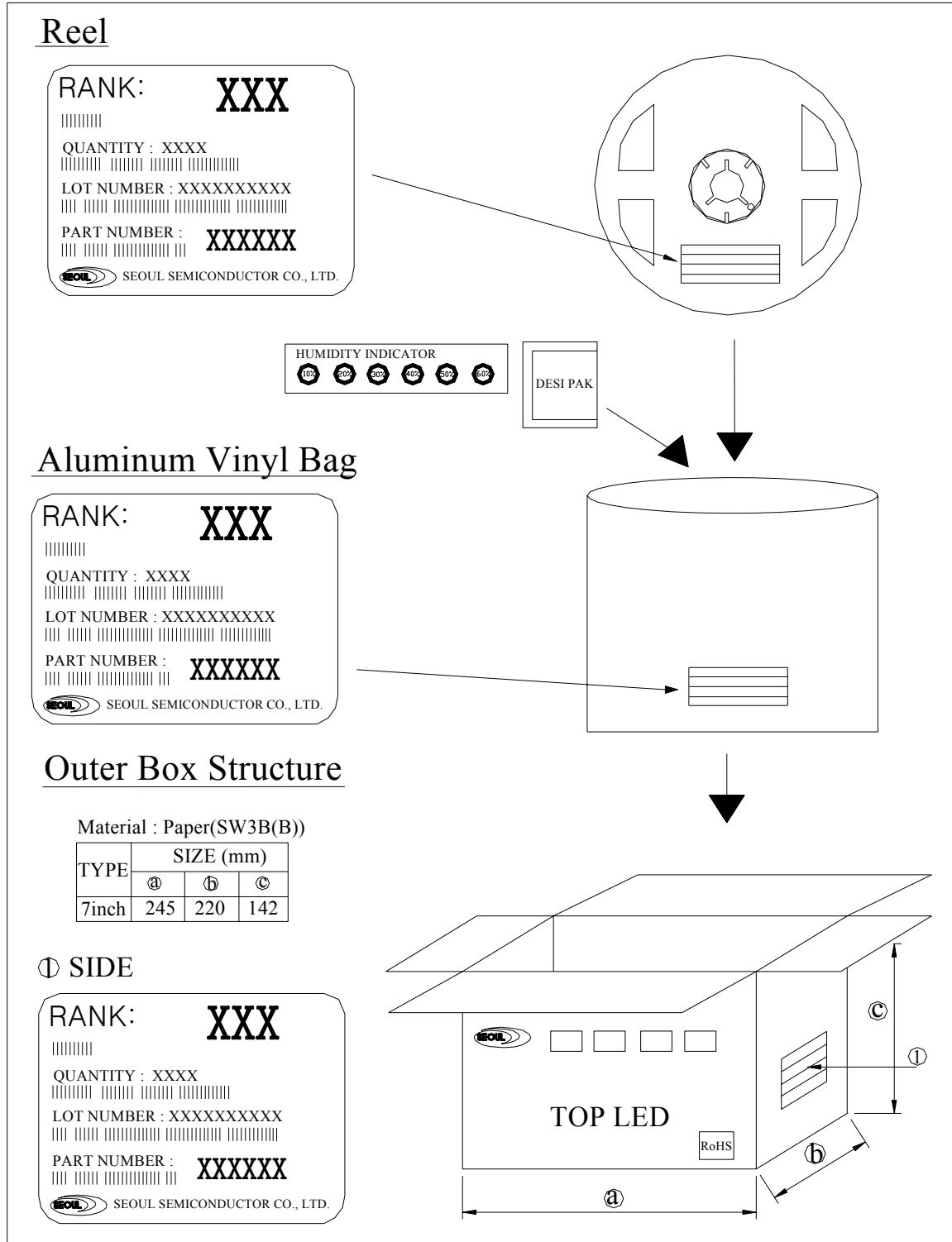
8. Packing



(Tolerance: ± 0.2 , Unit: mm)

- (1) Quantity : 2000pcs/Reel
- (2) Cumulative Tolerance : Cumulative Tolerance/10 pitches to be $\pm 0.2\text{mm}$
- (3) Adhesion Strength of Cover Tape : Adhesion strength to be 0.1-0.7N when the cover tape is turned off from the carrier tape at the angle of 10° to the carrier tape
- (4) Package : P/N, Manufacturing data Code No. and quantity to be indicated on a damp proof Package

9. Reel Packing Structure



10. Precaution for use

(1) Storage

In order to avoid the absorption of moisture, it is recommended to store in a dry box (or a desiccator) with a desiccant. Otherwise, to store them in the following environment is recommended.

Temperature : 5°C ~30°C Humidity : maximum 60%RH

* The LED is classified to Class 3 by JEDEC (J-STD-020A and J-STD-033).

(2) Attention after open.

LED is correspond to SMD, when LED be soldered dip, interfacial separation may affect the light transmission efficiency, causing the light intensity to drop. Attention in followed;

- a. After opened and mounted the soldering shall be quickly.
- b. Keeping of a fraction

Temperature : 5 ~ 40°C Humidity : less than 30%

(3) In the case of more than 1 week passed after opening or change color of indicator on desiccant, components shall be dried 10-12hr. at 60±5°C.

(4) Any mechanical force or any excess vibration shall not be accepted to apply during cooling process to normal temperature after soldering.

(5) Quick cooling shall be avoided.

(6) Components shall not be mounted on warped direction of PCB.

(7) Anti radioactive ray design is not considered for the products.

(8) This device should not be used in any type of fluid such as water, oil, organic solvent etc. When washing is required, IPA should be used.

(9) When the LEDs are illuminating, operating current should be decided after considering the ambient maximum temperature.

(10) LEDs must be stored to maintain a clean atmosphere. If the LEDs are stored for 3 months or more after being shipped from SSC, a sealed container with a nitrogen atmosphere should be used for storage.

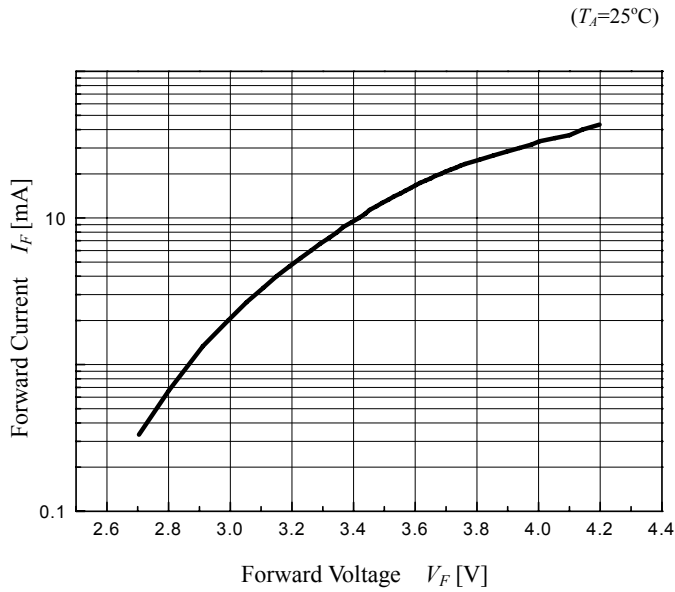
(11) The LEDs must be soldered within seven days after opening the moisture-proof packing.

(12) Repack unused products with anti-moisture packing, fold to close any opening and then store in a dry place.

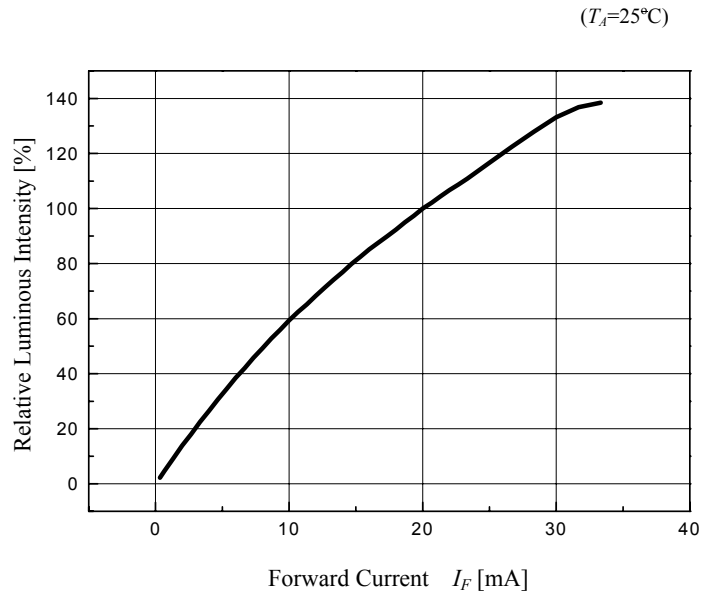
(13) The appearance and specifications of the product may be modified for improvement without notice.

11. Characteristic Diagram

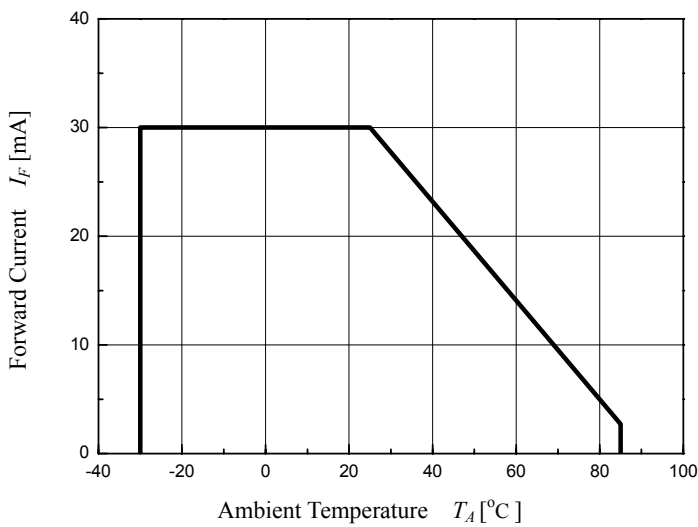
Forward Current vs Forward Voltage



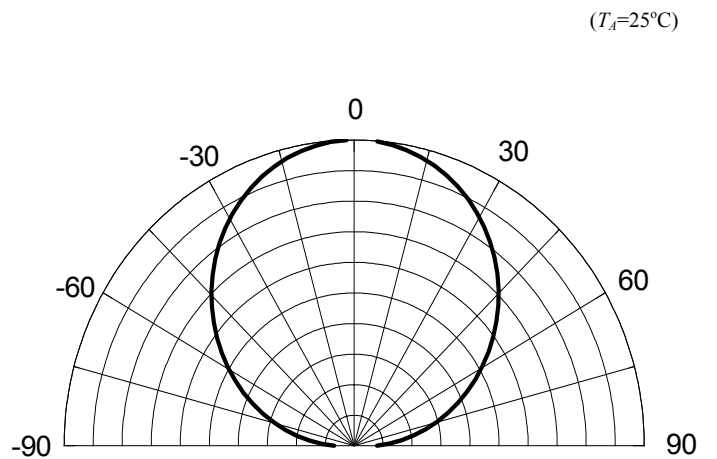
Intensity vs Forward Current



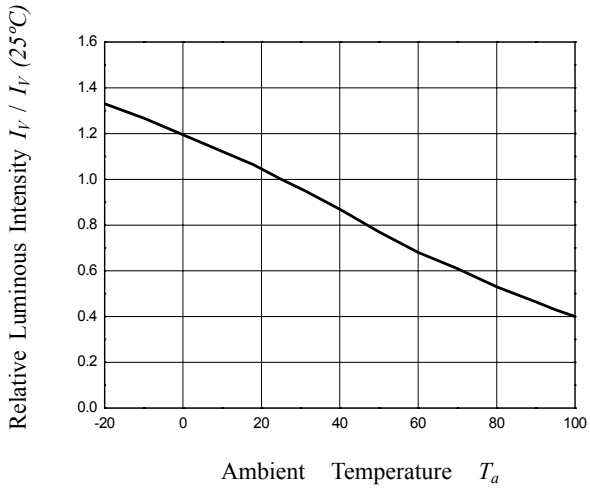
Forward Current Derating Curve



Radiation Diagram



Luminous Intensity vs. Ambient Temperature



Color Coordinate Variation with Time

