



STS4C3F60L

N-CHANNEL 60V - 0.045 Ω - 4A SO-8

P-CHANNEL 60V - 0.100 Ω - 3A SO-8

StripFET™ MOSFET

Table 1: General Features

TYPE	V _{DSS}	R _{DS(on)}	I _D
STS4C3F60L (N-Channel)	60 V	< 0.055 Ω	4 A
STS4C3F60L (P-Channel)	60 V	< 0.120 Ω	3 A

- TYPICAL R_{DS(on)} (N-Channel) = 0.045 Ω
- TYPICAL R_{DS(on)} (P-Channel) = 0.100 Ω
- STANDARD OUTLINE FOR EASY AUTOMATED SURFACE MOUNT ASSEMBLY
- LOW THRESHOLD DRIVE

DESCRIPTION

This MOSFET is the latest development of STMicroelectronics unique "Single Feature Size™" strip-based process. The resulting transistor shows extremely high packing density for low on-resistance, rugged avalanche characteristics and less critical alignment steps therefore a remarkable manufacturing reproducibility.

APPLICATIONS

- DC/DC CONVERTERS
- BACK LIGHT INVERTER FOR LCD

Figure 1: Package

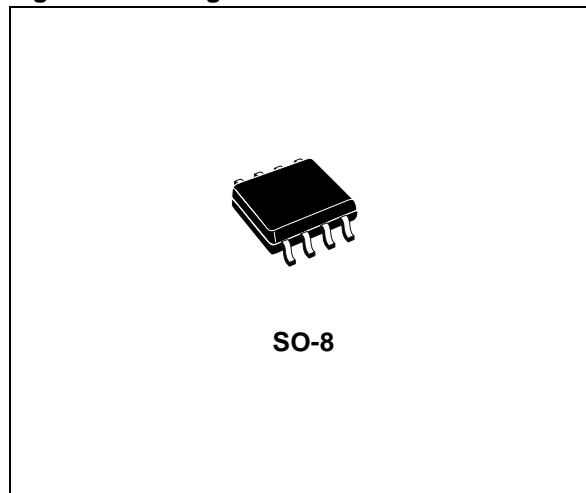


Figure 2: Internal Schematic Diagram

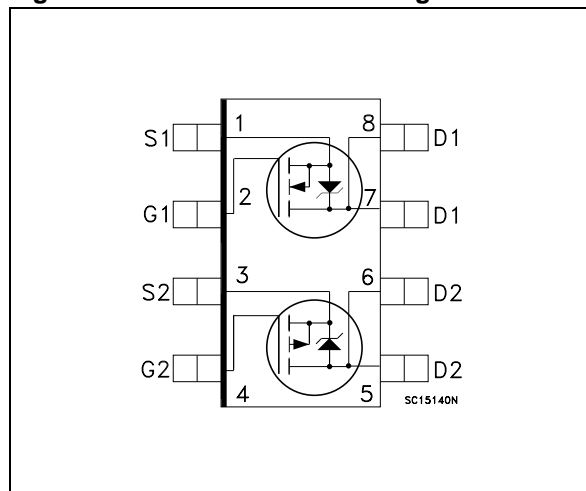


Table 2: Order Codes

PART NUMBER	MARKING	PACKAGE	PACKAGING
STS4C3F60L	S4C3F60L	SO-8	TAPE & REEL

Table 3: Absolute Maximum ratings

Symbol	Parameter	Value		Unit
		N-CHANNEL	P-CHANNEL	
V _{DS}	Drain-source Voltage (V _{GS} = 0)	60		V
V _{DGR}	Drain-gate Voltage (R _{GS} = 20 kΩ)	60		V
V _{GS}	Gate-source Voltage	± 16		V
I _D	Drain Current (continuous) at T _C = 25°C Single Operating	4	3	A
I _D	Drain Current (continuous) at T _C = 100°C Single Operating	2.5	1.9	A
I _{DM} (•)	Drain Current (pulsed)	16	12	A
P _{TOT}	Total Dissipation at T _C = 25°C	2		W
T _j T _{stg}	Operating Junction Temperature Storage Temperature	-55 to 150		°C

(•) Pulse width limited by safe operating area

Note: For the P-CHANNEL MOSFET actual polarity of voltages and current has to be reversed

Table 4: Thermal Data

R _{thj-amb} (1)	Thermal Resistance Junction-ambient	62.5	°C/W
--------------------------	-------------------------------------	------	------

(1) When mounted on 1 inch² pad of 2 oz. copper, t ≤ 10 s

ELECTRICAL CHARACTERISTICS (T_{CASE} = 25°C UNLESS OTHERWISE SPECIFIED)

Table 5: On/Off

Symbol	Parameter	Test Conditions		Min.	Typ.	Max.	Unit
V _{(BR)DSS}	Drain-source Breakdown Voltage	I _D = 250 μA, V _{GS} = 0	n-ch p-ch	60 60			V V
I _{DSS}	Zero Gate Voltage Drain Current (V _{GS} = 0)	V _{DS} = Max Rating V _{DS} = Max Rating, T _C = 125°C	n-ch p-ch			1 10	μA μA
I _{GSS}	Gate-body Leakage Current (V _{DS} = 0)	V _{GS} = ± 16V V _{GS} = ± 16V	n-ch p-ch			±100 ±100	nA nA
V _{GS(th)}	Gate Threshold Voltage	V _{DS} = V _{GS} , I _D = 250 μA	n-ch p-ch	1 1.5			V V
R _{DS(on)}	Static Drain-source On Resistance	V _{GS} = 10 V, I _D = 2 A V _{GS} = 10 V, I _D = 1.5 A V _{GS} = 4.5 V, I _D = 2 A V _{GS} = 4.5 V, I _D = 1.5 A	n-ch p-ch n-ch p-ch		0.045 0.100 0.050 0.130	0.055 0.120 0.065 0.160	Ω Ω Ω Ω

Table 6: Dynamic

Symbol	Parameter	Test Conditions		Min.	Typ.	Max.	Unit
g _{fs} (1)	Forward Transconductance	V _{DS} = 30 V, I _D = 2 A V _{DS} = 10 V, I _D = 3 A	n-ch p-ch		7 7.2		S S
C _{iss}	Input Capacitance	V _{DS} = 25V, f = 1 MHz, V _{GS} = 0	n-ch p-ch		1030 630		pF pF
C _{oss}	Output Capacitance		n-ch p-ch		140 121		pF pF
C _{rss}	Reverse Transfer Capacitance		n-ch p-ch		40 49		pF pF

(1) Pulsed: Pulse duration = 300 μs, duty cycle 1.5%

ELECTRICAL CHARACTERISTICS (CONTINUED)

Table 7: Switching On

Symbol	Parameter	Test Conditions		Min.	Typ.	Max.	Unit
$t_{d(on)}$	Turn-on Delay Time	N-CHANNEL $V_{DD} = 30\text{ V}$, $I_D = 2\text{ A}$, $R_G = 4.7\ \Omega$, $V_{GS} = 4.5\text{ V}$	n-ch p-ch		15 124		ns ns
t_r	Rise Time	P-CHANNEL $V_{DD} = 30\text{ V}$, $I_D = 1.5\text{ A}$, $R_G = 4.7\ \Omega$, $V_{GS} = 4.5\text{ V}$ (Resistive Load see, Figure 28)	n-ch p-ch		28 54		ns ns
Q_g	Total Gate Charge	N-CHANNEL $V_{DD} = 48\text{ V}$, $I_D = 4\text{ A}$, $V_{GS} = 4.5\text{ V}$	n-ch p-ch		15 11.6	20.4 15.7	nC nC
Q_{gs}	Gate-Source Charge	P-CHANNEL $V_{DD} = 48\text{ V}$, $I_D = 3\text{ A}$, $V_{GS} = 4.5\text{ V}$	n-ch p-ch		4 4.5		nC nC
Q_{gd}	Gate-Drain Charge	$V_{GS} = 4.5\text{ V}$ (see, Figure 31)	n-ch p-ch		4 4.7		nC nC

Table 8: Switching Off

Symbol	Parameter	Test Conditions		Min.	Typ.	Max.	Unit
$t_{d(off)}$	Turn-off Delay Time	N-CHANNEL $V_{DD} = 30\text{ V}$, $I_D = 2\text{ A}$, $R_G = 4.7\ \Omega$, $V_{GS} = 4.5\text{ V}$	n-ch p-ch		45 39		ns ns
t_f	Fall Time	P-CHANNEL $V_{DD} = 30\text{ V}$, $I_D = 1.5\text{ A}$, $R_G = 4.7\ \Omega$, $V_{GS} = 4.5\text{ V}$ (Resistive Load see, Figure 28)	n-ch p-ch		10 14.5		ns ns

Table 9: Source-Drain Diodef

Symbol	Parameter	Test Conditions		Min.	Typ.	Max.	Unit
I_{SD}	Source-drain Current		n-ch p-ch			4 3	A A
$I_{SDM(2)}$	Source-drain Current (pulsed)		n-ch p-ch			16 12	A A
$V_{SD(1)}$	Forward On Voltage	$I_{SD} = 4\text{ A}$, $V_{GS} = 0$ $I_{SD} = 3\text{ A}$, $V_{GS} = 0$	n-ch p-ch			1.2 1.2	V V
t_{rr}	Reverse Recovery Time	N-CHANNEL $I_{SD} = 4\text{ A}$, $di/dt = 100\text{ A}/\mu\text{s}$ $V_{DD} = 20\text{ V}$, $T_j = 150^\circ\text{C}$	n-ch p-ch		85 44		ns ns
Q_{rr}	Reverse Recovery Charge		n-ch p-ch		85 68.2		nC nC
I_{RRM}	Reverse Recovery Current	P-CHANNEL $I_{SD} = 3\text{ A}$, $di/dt = 100\text{ A}/\mu\text{s}$ $V_{DD} = 20\text{ V}$, $T_j = 150^\circ\text{C}$ (see test circuit, Figure 29)	n-ch p-ch		2 3.1		A A

(1) Pulsed: Pulse duration = 300 μs , duty cycle 1.5 %.

(2) Pulse width limited by safe operating area.

Figure 3: Safe Operating n-channel

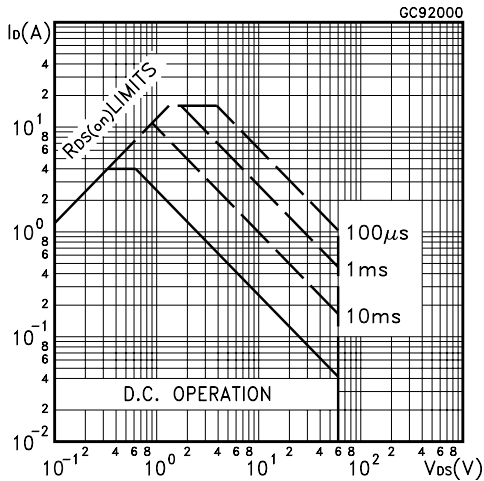


Figure 4: Output Characteristics n-channel

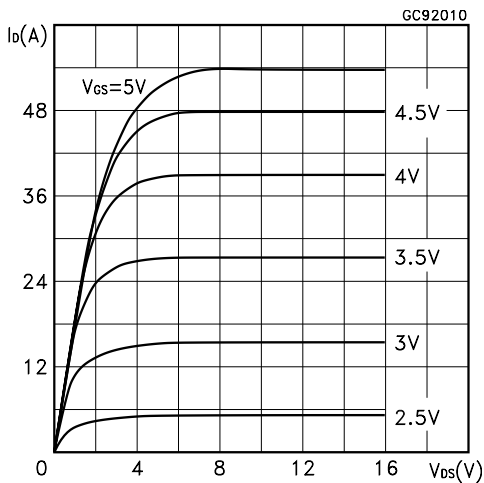


Figure 5: Transconductance n-channel

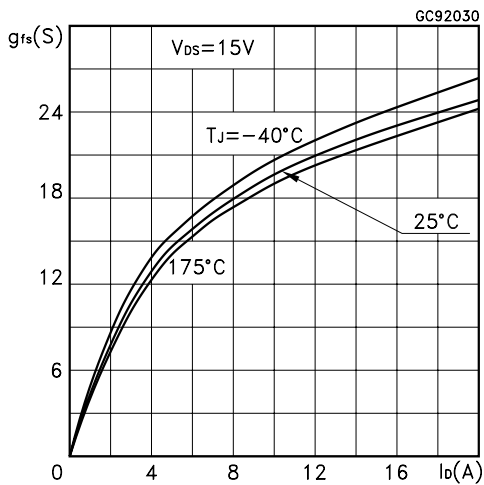


Figure 6: Thermal Impedance For Complementary Pair

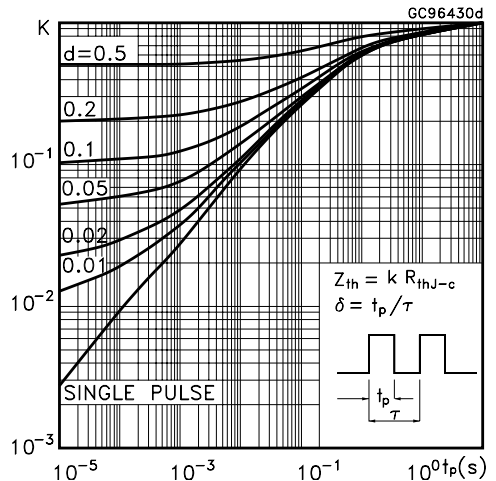


Figure 7: Transfer Characteristics n-channel

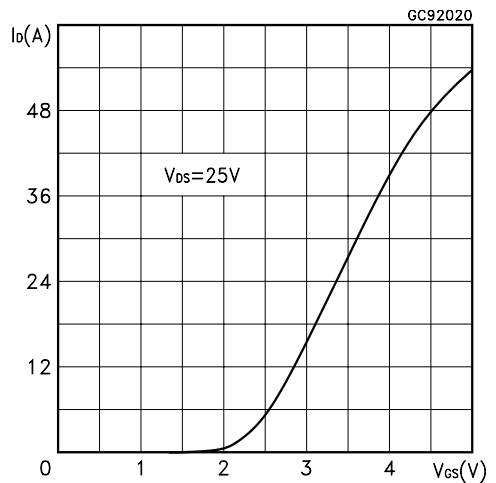


Figure 8: Static Drain-Source On Resistance n-channel

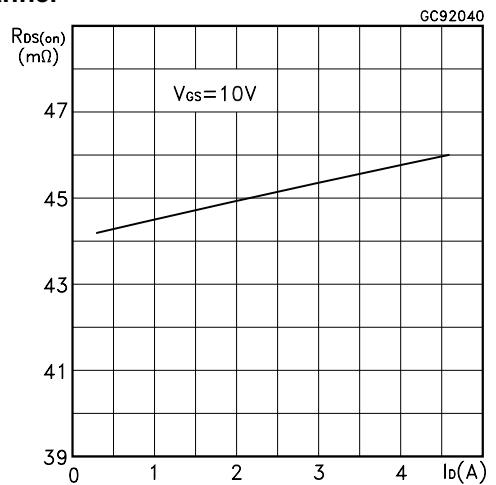


Figure 9: Gate Charge vs Gate-Source Voltage n-channel

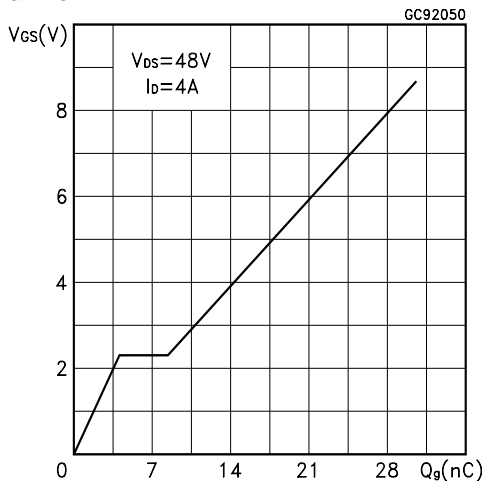


Figure 10: Normalized Gate Threshold Voltage vs Temperature n-channel

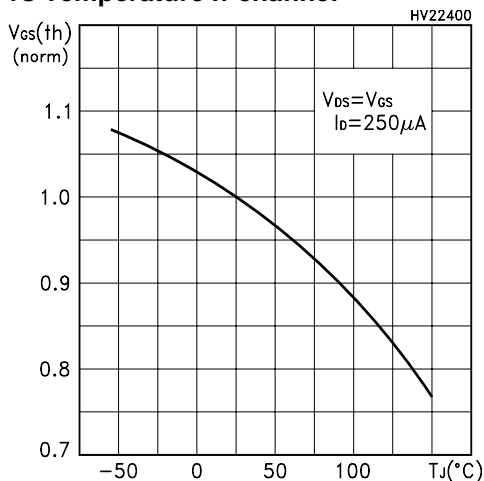


Figure 11: Source-Drain Forward Characteristics n-channel

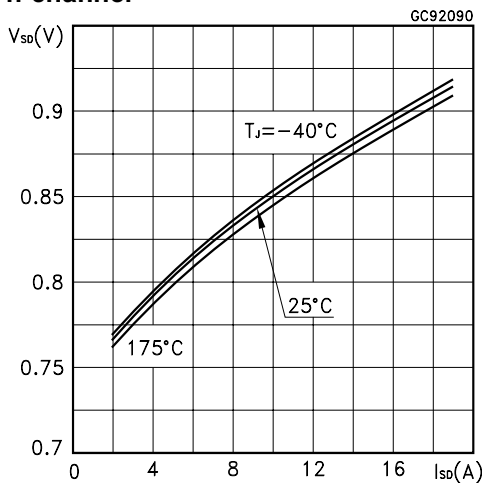


Figure 12: Capacitance Variations n-channel

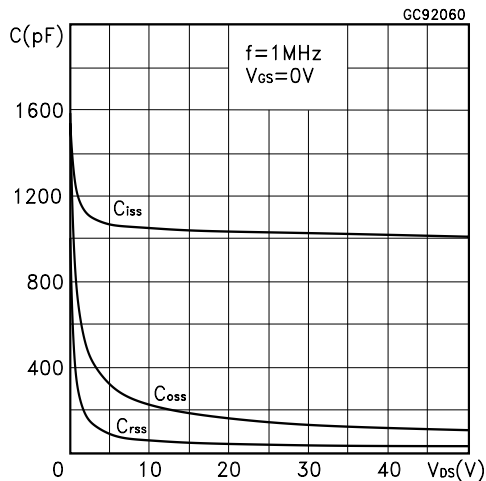


Figure 13: Normalized On Resistance vs Temperature n-channel

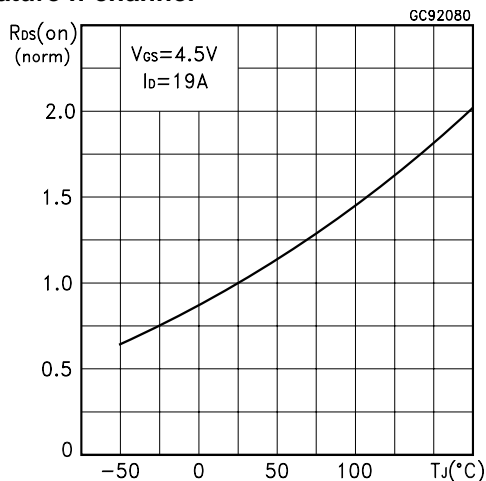


Figure 14: Normalized BVdss vs Temperature n-channel

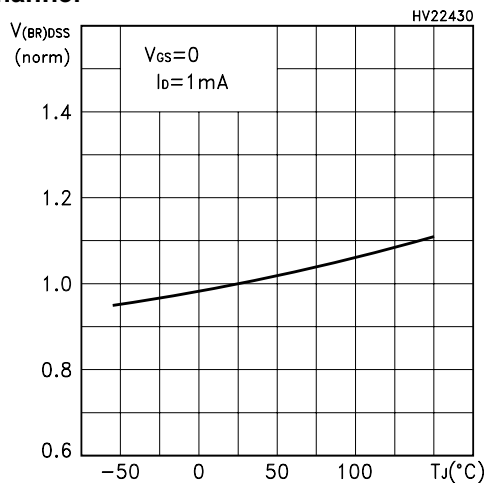


Figure 15: Safe Operating p-channel

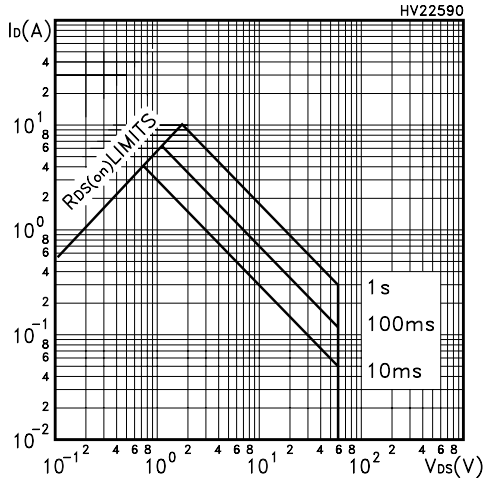


Figure 16: Output Characteristics p-channel

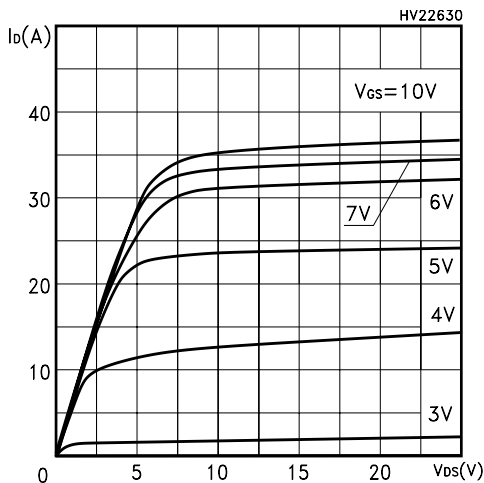


Figure 17: Transconductance p-channel

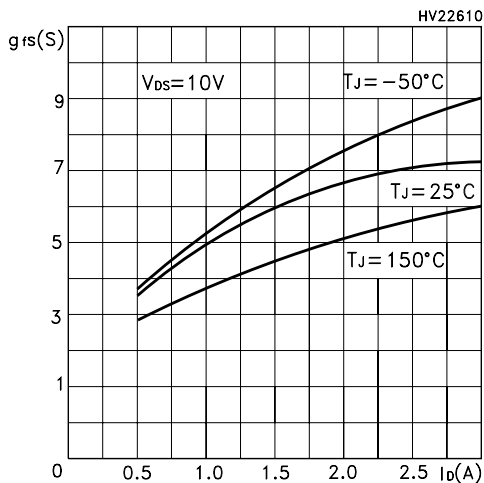


Figure 18: Thermal Impedance for Complementary Pair

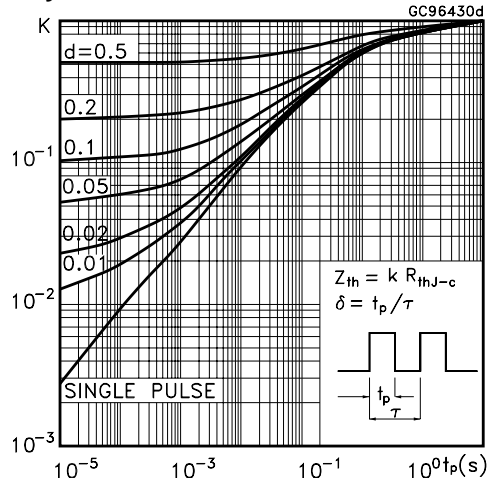


Figure 19: Transfer Characteristics p-channel

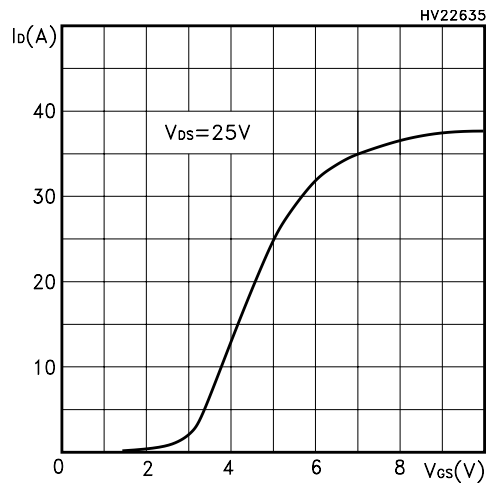


Figure 20: Static Drain-Source On Resistance p-channel

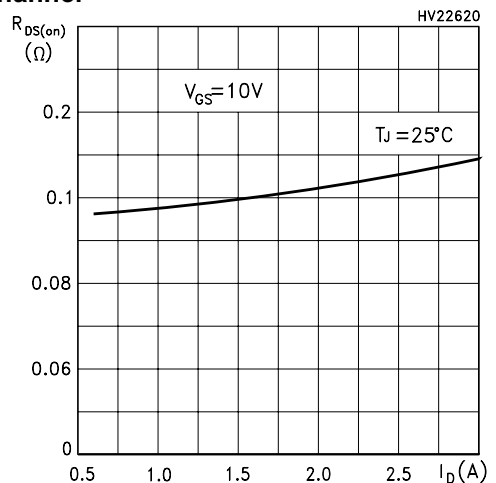


Figure 21: Gate Charge vs Gate-Source Voltage p-channel

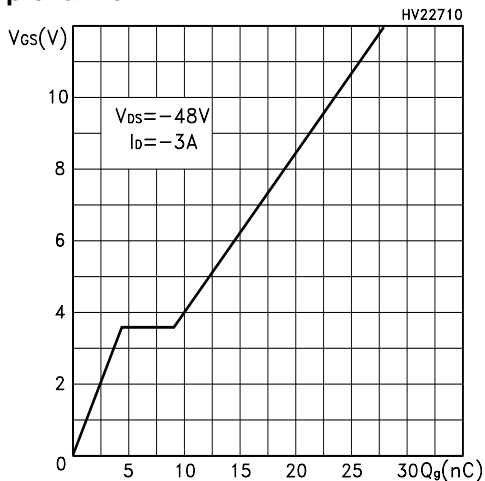


Figure 22: Normalized Gate Threshold Voltage vs Temperature p-channel

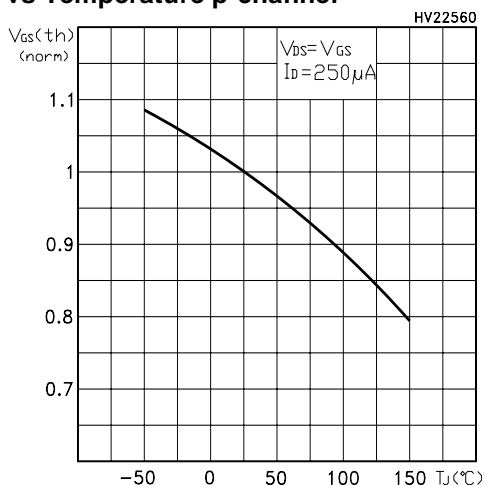


Figure 23: Source-Drain Diode Forward Characteristics p-channel

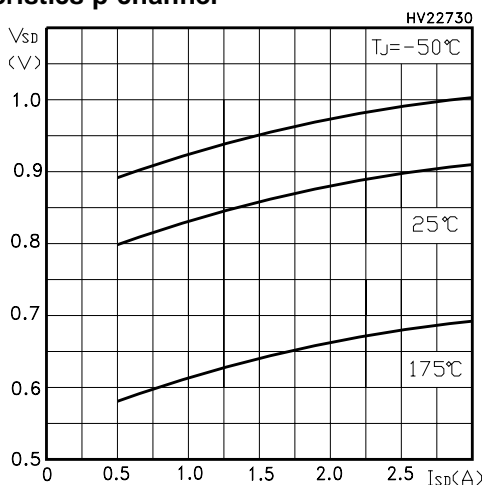


Figure 24: Capacitances Variations p-channel

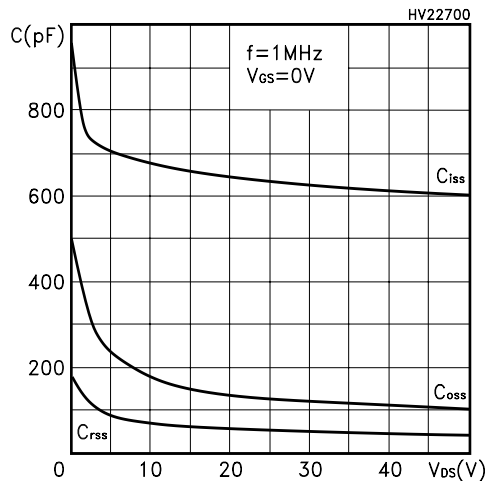


Figure 25: Normalized On Resistance vs Temperature p-channel

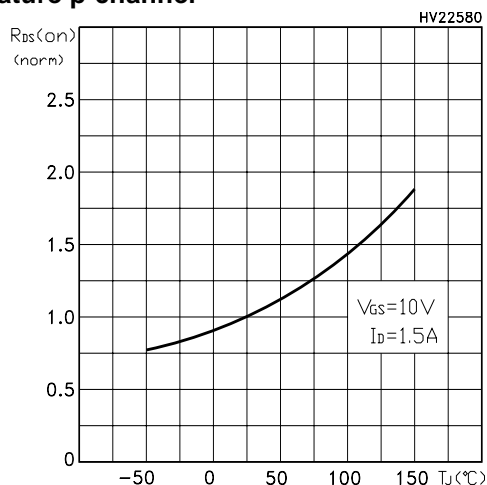


Figure 26: Normalized BVdss vs Temperature p-channel

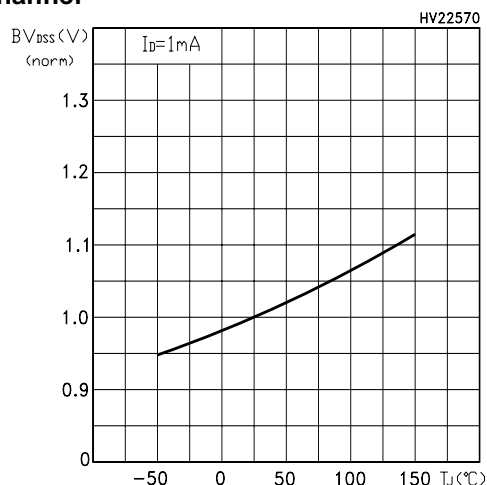


Figure 27: Unclamped Inductive Load Test Circuit

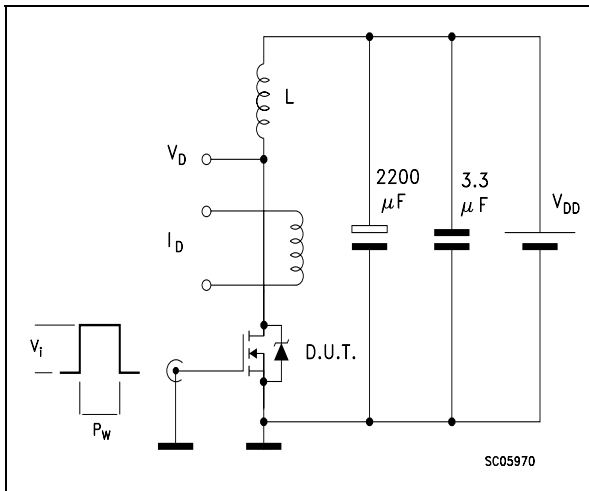


Figure 28: Switching Times Test Circuit For Resistive Load

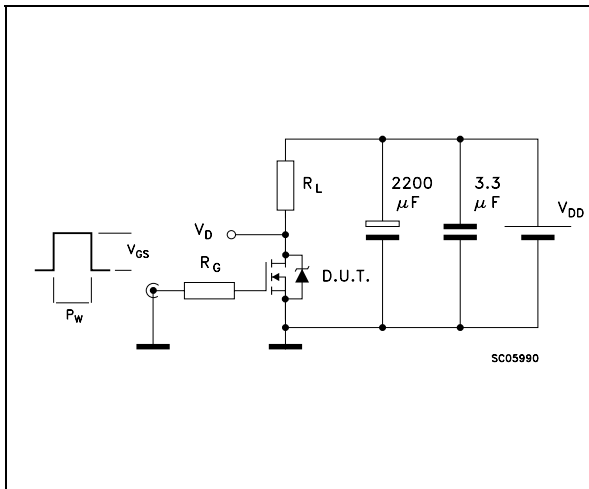


Figure 29: Test Circuit For Inductive Load Switching and Diode Recovery Times

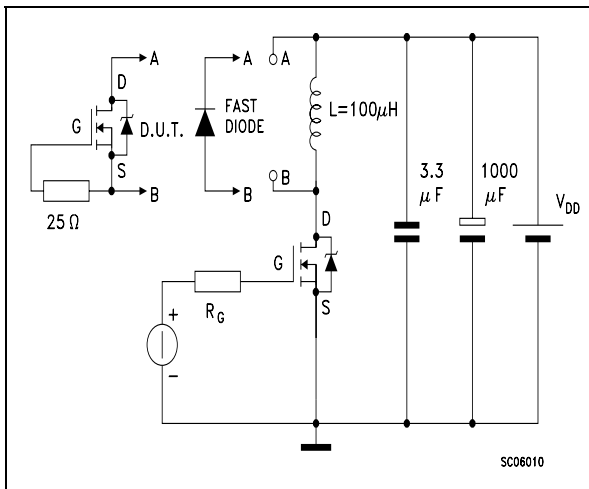


Figure 30: Unclamped Inductive Waeform

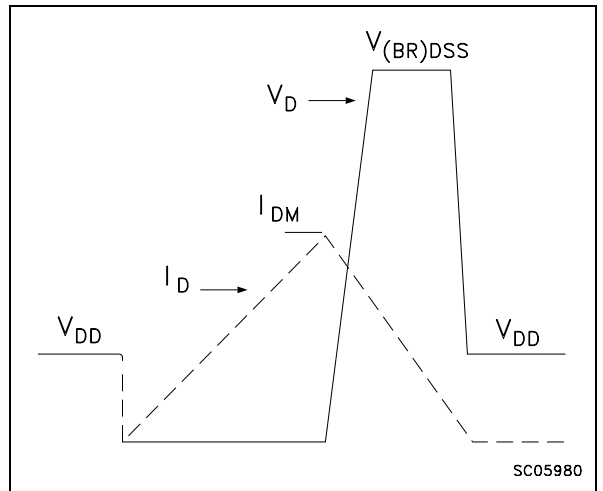
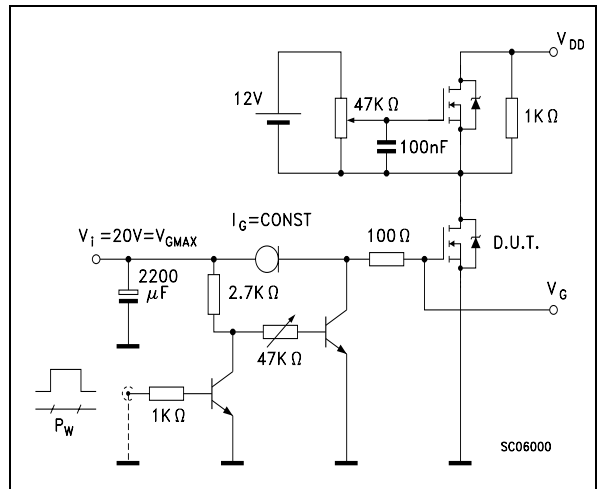


Figure 31: Gate Charge Test Circuit



SO-8 MECHANICAL DATA

DIM.	mm.			inch		
	MIN.	TYP.	MAX.	MIN.	TYP.	MAX.
A			1.75			0.068
a1	0.1		0.25	0.003		0.009
a2			1.65			0.064
a3	0.65		0.85	0.025		0.033
b	0.35		0.48	0.013		0.018
b1	0.19		0.25	0.007		0.010
C	0.25		0.5	0.010		0.019
c1	45 (typ.)					
D	4.8		5.0	0.188		0.196
E	5.8		6.2	0.228		0.244
e		1.27			0.050	
e3		3.81			0.150	
F	3.8		4.0	0.14		0.157
L	0.4		1.27	0.015		0.050
M			0.6			0.023
S	8 (max.)					

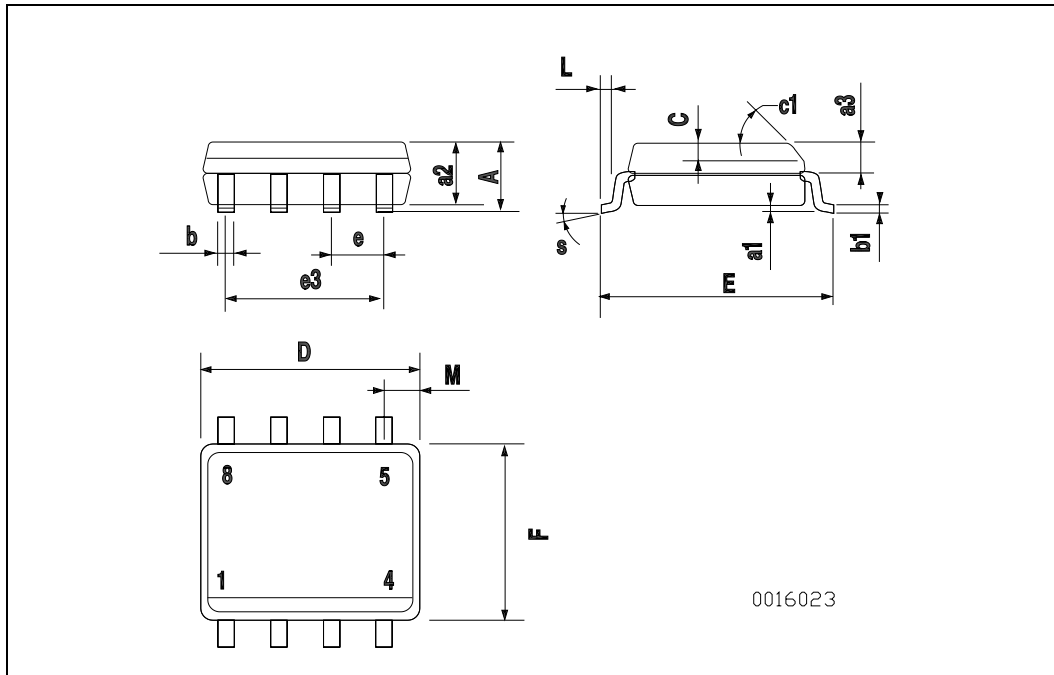


Table 10: Revision History

Date	Revision	Description of Changes
16-Sep-2004	2	Complete Version

Information furnished is believed to be accurate and reliable. However, STMicroelectronics assumes no responsibility for the consequences of use of such information nor for any infringement of patents or other rights of third parties which may result from its use. No license is granted by implication or otherwise under any patent or patent rights of STMicroelectronics. Specifications mentioned in this publication are subject to change without notice. This publication supersedes and replaces all information previously supplied. STMicroelectronics products are not authorized for use as critical components in life support devices or systems without express written approval of STMicroelectronics.

The ST logo is a registered trademark of STMicroelectronics

All other names are the property of their respective owners

© 2004 STMicroelectronics - All Rights Reserved

STMicroelectronics group of companies

Australia - Belgium - Brazil - Canada - China - Czech Republic - Finland - France - Germany - Hong Kong - India - Israel - Italy - Japan - Malaysia - Malta - Morocco - Singapore - Spain - Sweden - Switzerland - United Kingdom - United States of America