

160-BIT HIGH-VOLTAGE CMOS DRIVER

DESCRIPTION

The μ PD16364 is a high-voltage CMOS driver for EL display. It consists of $4 \times 40/8 \times 20$ -bit data latch, 160-bits data latch, 160-bit level shifter, and a high-voltage CMOS driver. The logic circuit operates on 5-V power supply (CMOS level input), so that it can be connected to a micro-controller. The driver block is comprised of 60 V, 25 mA MAX. high-voltage output buffer, and both the logic block and driver block employ a CMOS, allowing operation with low power consumption.

FEATURES

- High-voltage Full CMOS process
- High-voltage output (60 V, 25 mA MAX.)
- $4 \times 40/8 \times 20$ -bit data latch (4/8-bit data input)
- High-speed data transfer ($f_{CLK} = 16$ MHz: in cascade connection)
- Wide operating temperature range ($T_A = -40$ to $+85^\circ\text{C}$)

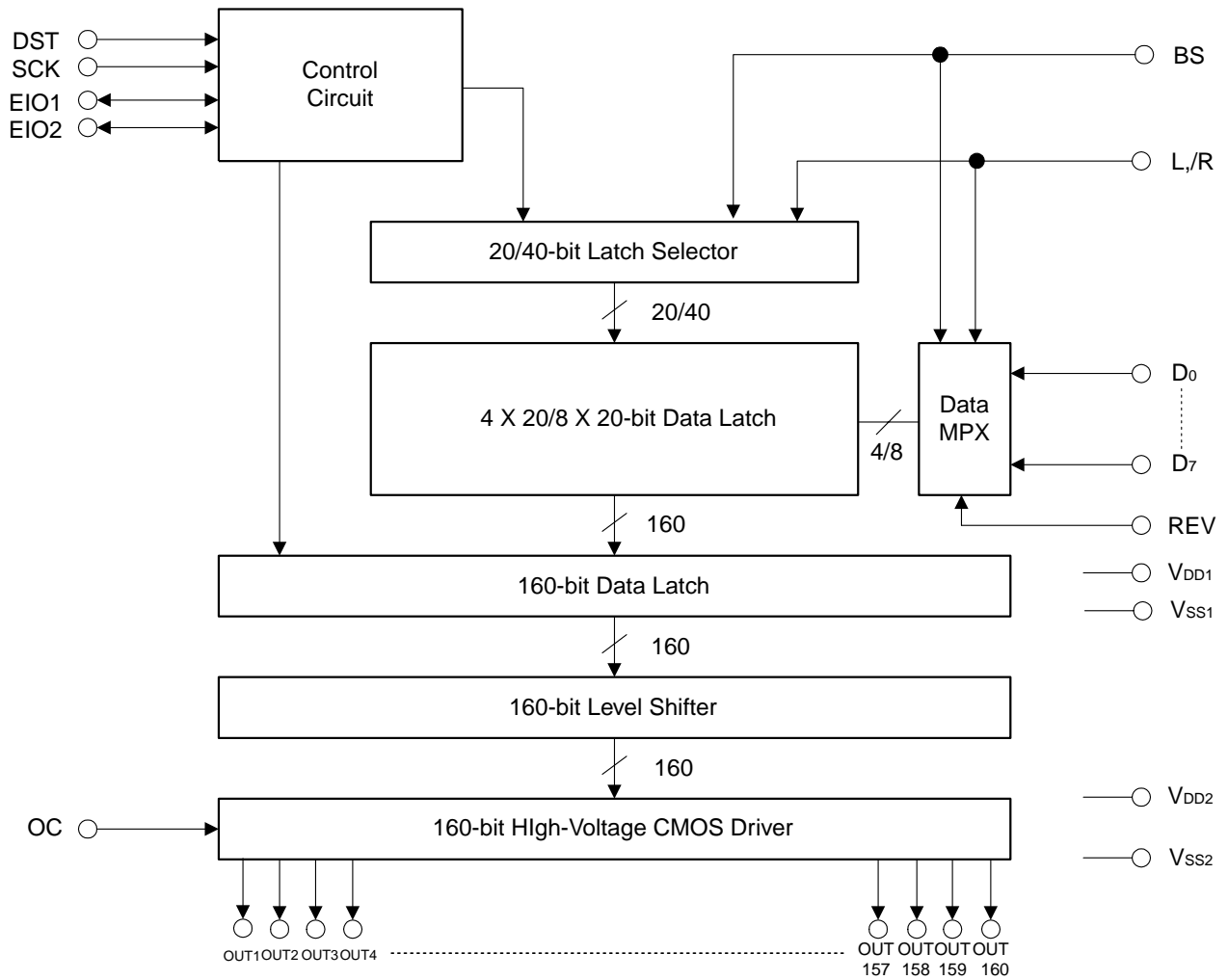
ORDERING INFORMATION

Part Number	Package
μ PD16364N -xxx	TCP (TAB package)

Remark The TCP's external shape is customized. To order the required shape, please contact one of our sales representatives.

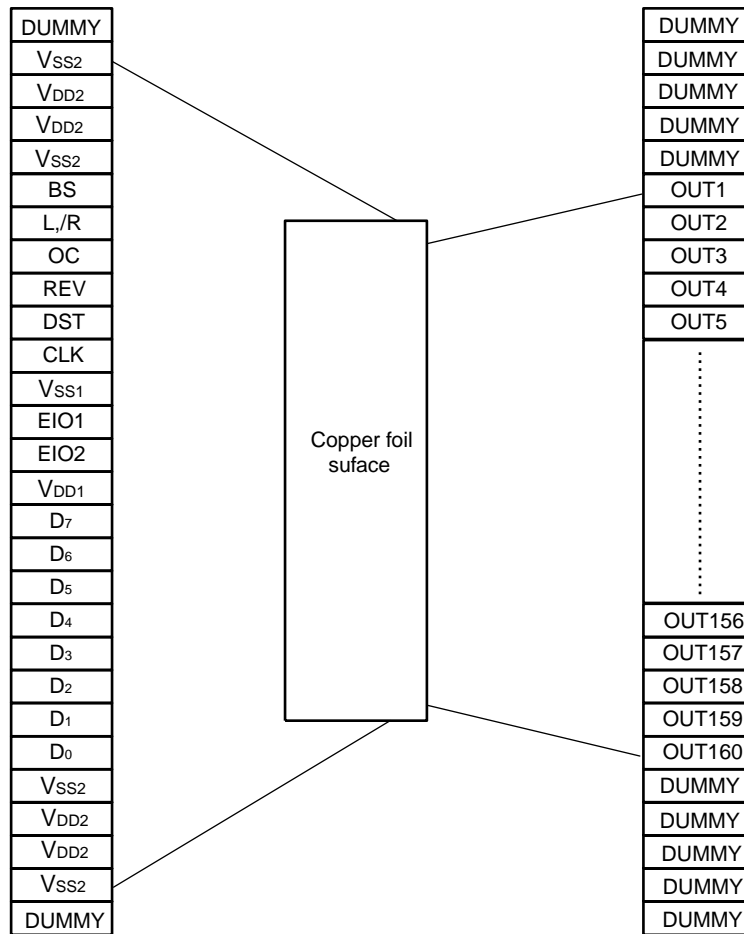
The information in this document is subject to change without notice. Before using this document, please confirm that this is the latest version.
 Not all products and/or types are available in every country. Please check with an NEC Electronics sales representative for availability and additional information.

1. BLOCK DIAGRAM



Remark /xxx indicates active low signal.

2. PIN CONFIGURATION (μPD16364N-xxx: Copper foil surface, Face-up)



Remark This figure does not specify the TCP package.

Caution Be sure to use all the VDD1, VDD2, VSS1, and VSS2 pins. Keep the VSS1 and VSS2 pins at the same voltage level.

3. PIN FUNCTIONS

Pin Symbol	Pin Name	I/O	Description
★ EIO1	Enable I/O1	I/O	L,/R pin = "L" level: Input L,/R pin = "H" level: Output
★ EIO2	Enable I/O2	I/O	L,/R pin = "H" level: Input L,/R pin = "L" level: Output
SCK	Shift Clock Input	Input	Fall edge operation. Input shift clock for 4 x 40/8 x 20-bit data latch.
DST	Data Strobe Input	Input	Fall edge operation. Data are latched to 160-bits data latch and also set outputs of OUT1 to OUT160.
D ₀ to D ₇	Data Input	Input	Data input. When BS is low level, D ₄ to D ₇ pins should be connected to V _{SS1} or V _{DD1} .
L,/R	Select Left or Right Shift	Input	Refer to 4.TRUTH TABLE
OC	Output Control	Input	When OC pin is low level, output is normal operation. When OC pin is high level, output become low level.
REV	Invert Input Data	Input	When REV pin is low level, input data D ₀ to D ₇ are latched without inversion. When REV pin is high level, input data D ₀ to D ₇ are inverted before latching.
BS	Bus Select	Input	When BS pin is low level, data bus is 4 bits. When BS pin is high level, data bus is 8 bits.
OUT1 to OUT160	High-voltage output	Output	Output level is V _{SS2} or V _{DD2} . These outputs are changed by falling edge of DST pin.
V _{DD1}	Logic power supply	—	Logic power supply
V _{DD2}	Driver power supply	—	Driver power supply
V _{SS1}	Logic ground	—	Grounding
V _{SS2}	Driver ground	—	Grounding

4. TRUTH TABLE

Shift Register Block (4 x 40 data latch, BS = L)

L _i /R	SCK	1	2	3	...	40
L level	D ₃	1	5	9	...	157
	D ₂	2	6	10	...	158
	D ₁	3	7	11	...	159
	D ₀	4	8	12	...	160
H level	D ₃	160	156	152	...	4
	D ₂	159	155	151	...	3
	D ₁	158	154	150	...	2
	D ₀	157	153	149	...	1

★ Shift Register Block (8 x 20 data latch, BS = H)

L _i /R	SCK	1	2	3	...	20
L level	D ₇	1	9	17	...	153
	D ₆	2	10	18	...	154
	D ₅	3	11	19	...	155
	D ₄	4	12	20	...	156
	D ₃	5	13	21	...	157
	D ₂	6	14	22	...	158
	D ₁	7	15	23	...	159
	D ₀	8	16	24	...	160
H level	D ₇	160	152	144	...	8
	D ₆	159	151	143	...	7
	D ₅	158	150	142	...	6
	D ₄	157	149	141	...	5
	D ₃	156	148	140	...	4
	D ₂	155	147	139	...	3
	D ₁	154	146	138	...	2
	D ₀	153	145	137	...	1

Control Block

L _i /R	EIO1	EIO2
H level	Out	In
L level	In	Out

Driver Block

OC	REV	Dn	Driver Output
L	L	L	L
L	L	H	H
L	H	L	H
L	H	H	L
H	x	x	L (All driver outputs are L.)

5. ELECTRICAL SPECIFICATIONS

Absolute Maximum Ratings (T_A = 25°C, V_{SS1} = V_{SS2} = 0 V)

Parameter	Symbol	Rating	Unit
Logic Part Supply Voltage	V _{DD1}	-0.5 to +6.0	V
Driver Part Supply Voltage	V _{DD2}	-0.5 to +6.0	V
Logic Part Input Voltage	V _{I1}	-0.5 to V _{DD1} + 0.5	V
Logic Part Output Voltage	V _{O1}	-0.5 to V _{DD1} + 0.5	V
Driver Part Output Voltage	V _{O2}	-0.5 to V _{DD2} + 0.5	V
Logic Part Output Current	I _{O1}	±10	mA
Driver Part Output Current	I _{O2}	±25	mA
Operating Ambient Temperature	T _A	-40 to +85	°C
Storage Temperature	T _{stg}	-55 to +125	°C

Cautions 1. T_A ≥ 25°C , load should be alleviated at a rate of -4.5 mW/°C.

2. Product qualify may suffer if the absolute maximum rating is exceeded even momentarily for any parameter. That is, the absolute maximum ratings are rated values at which the product is on the verge of suffering physical damage, and therefore the product must be used under conditions that ensure that the absolute maximum ratings are not exceeded.

Recommended Operating Range (T_A = -40 to +85°C, V_{SS1} = V_{SS2} = 0 V)

Parameter	Symbol	Conditions	MIN.	TYP.	MAX.	Unit
Logic Part Supply Voltage	V _{DD1}		4.5	5.0	5.5	V
Driver Part Supply Voltage	V _{DD2}		20		55	V
High-Level Input Voltage	V _{IH}		0.8 V _{DD1}		V _{DD1}	V
Low-Level Input Voltage	V _{IL}		0		0.2 V _{DD1}	V
Driver Part Output Current	I _{OL2}				+20	mA
	I _{OH2}				-20	mA

Caution Turn of and off power sequence must be as follows:

Turn-on sequence: V_{DD1} → Input → V_{DD2}

Turn-off sequence: V_{DD2} → Input → V_{DD1}

Electrical Characteristics (T_A = -40 to +85°C, V_{DD1} = 4.5 to 5.5 V, V_{DD2} = 55 V, V_{SS1} = V_{SS2} = 0 V,)

Parameter	Symbol	Conditions	MIN.	TYP.	MAX.	Unit
High-Level Output Voltage	V _{OH1}	Logic, I _{OH1} = -0.4 mA,	V _{DD1} - 0.4			V
	V _{OH2}	OUT1 to OUT160, I _{OH2} = -1.0 mA	V _{DD2} - 0.4			V
Low-Level Output Voltage	V _{OL1}	Logic, I _{OL1} = 0.4 mA			0.4	V
	V _{OL2}	OUT1 to OUT160, I _{OL2} = 1.0 mA			0.4	V
High-Level Input Current	I _{IH}	V _I = V _{DD1}			5.0	μA
Low-Level Input Current	I _{IL}	V _I = 0 V			-5.0	μA
High-Level Input Voltage	V _{IH}	Logic	0.8 V _{DD1}			V
Low-Level Input Voltage	V _{IL}	Logic			0.2 V _{DD1}	V
R _{ON} Variance	R _{VAR}	OUT1 to OUT160 (in one chip under constant T _j ^{Note1})			±30	%
Logic Part Dynamic Current Consumption	I _{DD1}	Note2			10	mA
Driver Part Dynamic Current Consumption	I _{DD2}	Note2			10	mA
Standby Current	I _{standby}	Note3			500	μA

- Notes**
1. $R_{var} = (1 - X_n/X_{avg}) \times 100$
 X_n = Impedance of OUT_n, X_{avg} = Impedance of average
 I_{OH2} = -1.0 mA, I_{OL2} = 1.0 mA
 2. f_{SCK} = 16 MHz, f_{DST} = 36 kHz, V_{IN} = V_{DD1} or V_{SS1}, no load
 3. V_{IN} = V_{DD1} or V_{SS1}, no load

Switching Characteristics (T_A = -40 to +85°C, V_{DD1} = 4.5 to 5.5 V, V_{DD2} = 55 V, V_{SS1} = V_{SS2} = 0 V)

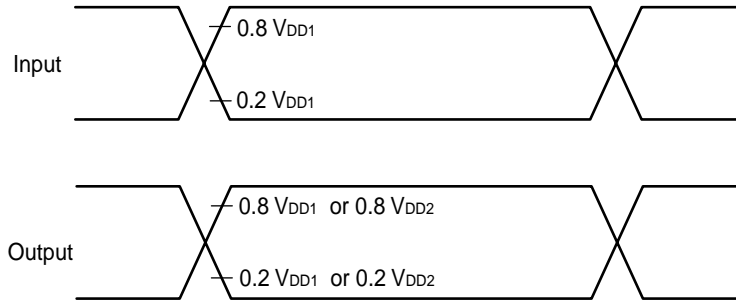
Parameter	Symbol	Conditions	MIN.	TYP.	MAX.	Unit
Enable Pulse Delay Time	t _{PLH1}	DST↓ → EION↑, C _L = 30 pF			70	ns
	t _{PHL2}	Last SCK↓ → EION↓, C _L = 30 pF			40	ns
Driver Output Delay Time	t _{PHL3}	DST↓ → OUT1 to OUT160,			7	μs
	t _{PLH3}	C _L = 2000 pF			7	μs
Input Capacitance	C _i				20	pF

Timing Requirement ($T_A = -40$ to $+85^\circ\text{C}$, $V_{DD1} = 4.5$ to 5.5 V, $V_{DD2} = 55$ V, $V_{SS1} = V_{SS2} = 0$ V, $t_r = t_f = 13.0$ ns)

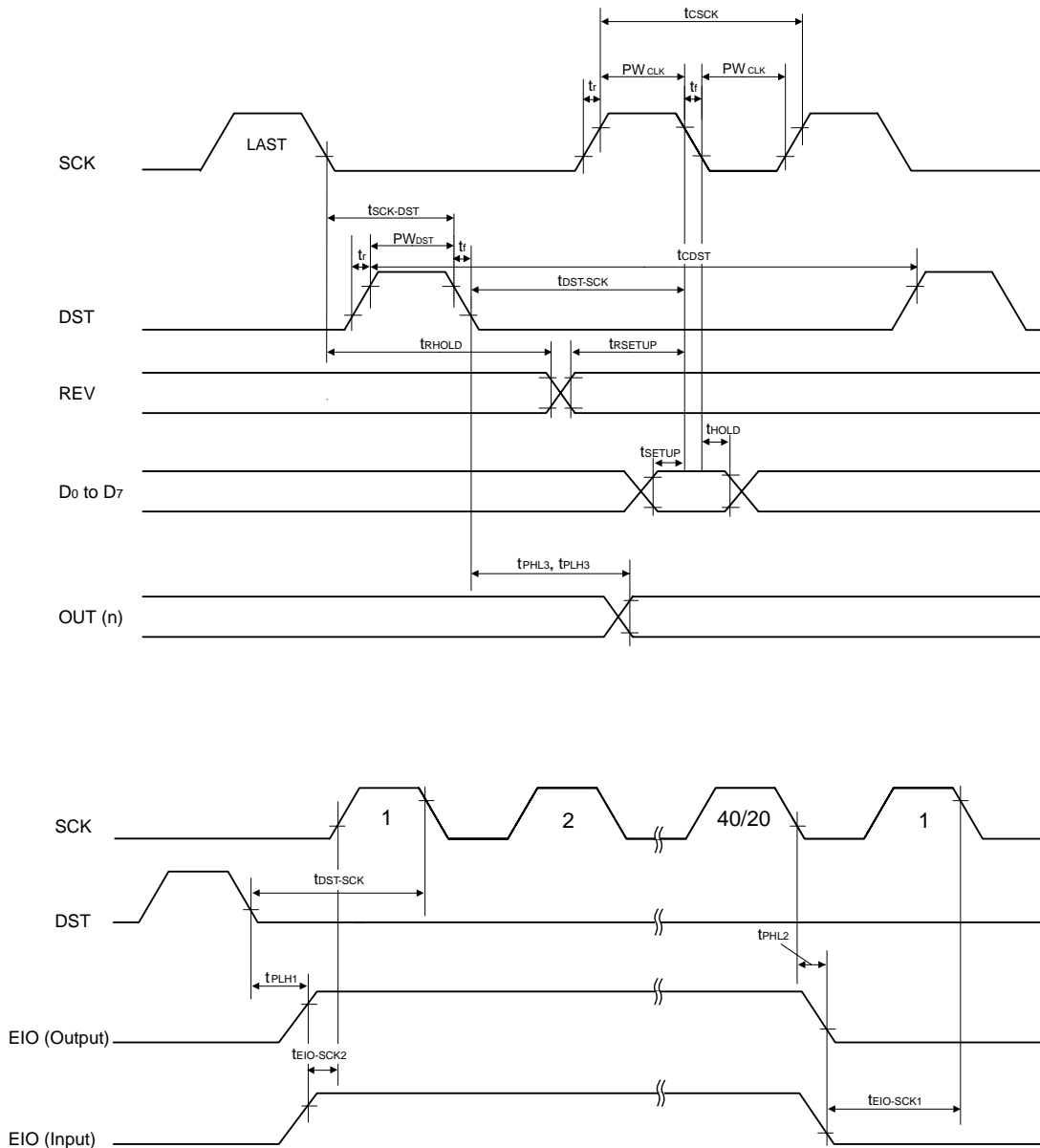
Parameter	Symbol	Conditions	MIN.	TYP.	MAX.	Unit
SCK Cycle Time	t_{cSCK}		62			ns
SCK Pulse Width	PW_{CLK}		20			ns
DST Cycle Time	t_{cDST}		1000			ns
DST High-Level Pulse Width	PW_{DST}		30			ns
DST-SCK Time	$t_{DST-SCK}$	DST↓ → 1st SCK ↓	100			ns
SCK-DST Time	$t_{SCK-DST}$	Last SCK↓ → DST ↓	30			ns
Data Setup Time	t_{SETUP}		20			ns
Data Hold Time	t_{HOLD}		20			ns
REV Setup Time	t_{rSETUP}		40			ns
REV Hold Time	t_{rHOLD}		30			ns
EIO-SCK Time1	$t_{EIO-SCK1}$	EIO _n ↓ → 1st SCK ↓	22			ns
EIO-SCK Time2	$t_{EIO-SCK2}$	EIO _n ↑ → 1st SCK ↑	25			ns

Switching Characteristics and Timing Requirements Waveform

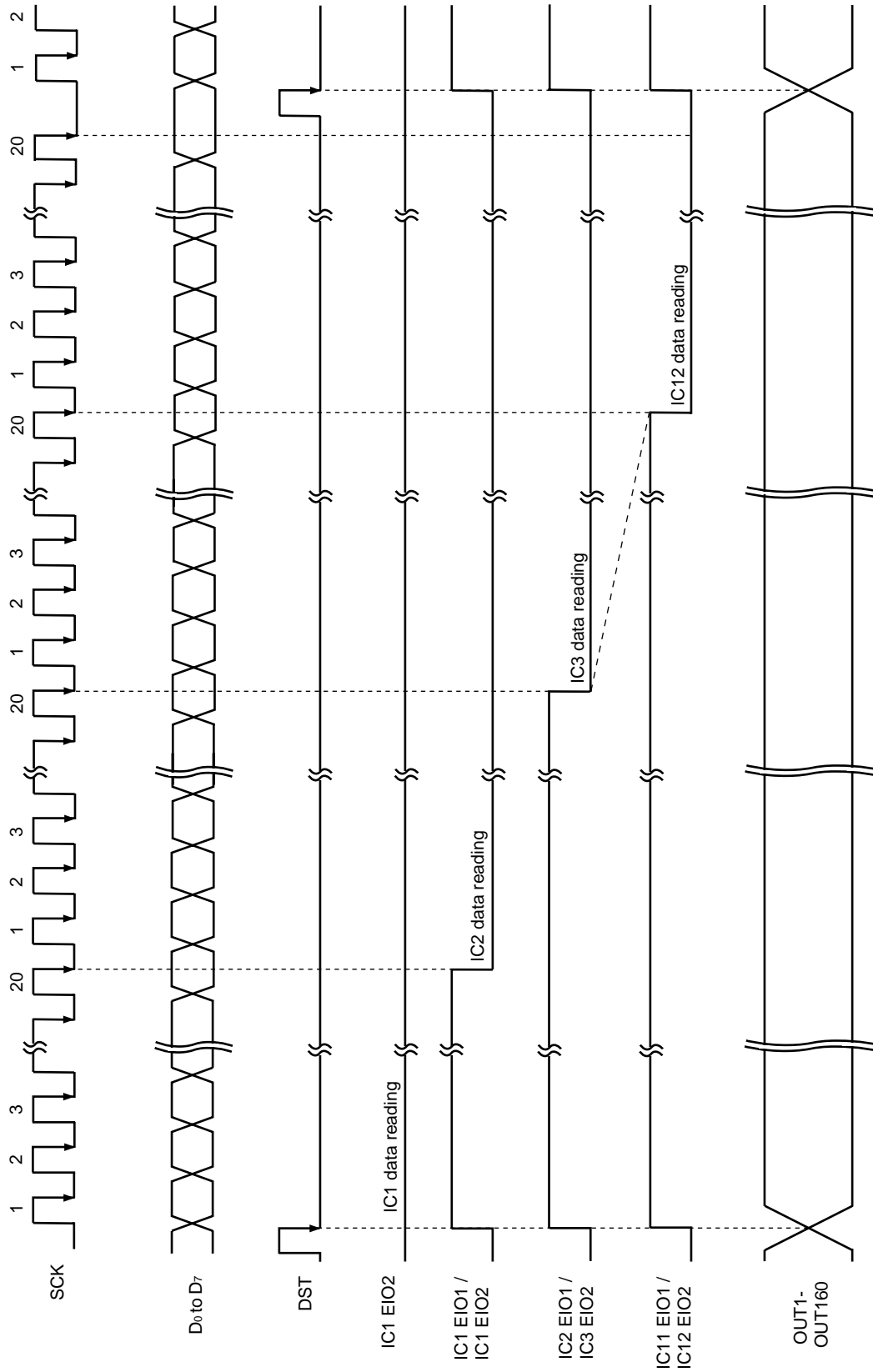
Timing requirement waveform



Switching characteristics waveform



Timing Example (640 dots x 3/line, BS = H, L/R = H)



6. RECOMMENDED SOLDERING CONDITIONS

The following conditions must be met for soldering conditions of the μ PD16364.

For more details, refer to the **Semiconductor Device Mounting Technology Manual (C10535E)**.

Please consult with our sales offices in case other soldering process is used, or in case the soldering is done under different conditions.

μPD16364N-xxx: TCP (TAB package)

Mounting Condition	Mounting Method	Condition
Thermocompression	Soldering	Heating tool 300 to 350°C: heating for 2 to 3 seconds: pressure 100g (per solder)
	ACF (Adhesive Conductive Film)	Temporary bonding 70 to 100°C: pressure 3 to 8 kg/cm ² : time 3 to 5 seconds. Real bonding 165 to 180°C: pressure 25 to 45 kg/cm ² : time 30 to 40 seconds. (When using the anisotropy conductive film SUMIZAC1003 of Sumitomo Bakelite, Ltd.)

Caution To find out the detailed conditions for packaging the ACF part, please contact the ACF manufacturing company. Be sure to avoid using two or more packaging methods at a time.

[MEMO]

[MEMO]

[MEMO]

NOTES FOR CMOS DEVICES**① PRECAUTION AGAINST ESD FOR SEMICONDUCTORS**

Note:

Strong electric field, when exposed to a MOS device, can cause destruction of the gate oxide and ultimately degrade the device operation. Steps must be taken to stop generation of static electricity as much as possible, and quickly dissipate it once, when it has occurred. Environmental control must be adequate. When it is dry, humidifier should be used. It is recommended to avoid using insulators that easily build static electricity. Semiconductor devices must be stored and transported in an anti-static container, static shielding bag or conductive material. All test and measurement tools including work bench and floor should be grounded. The operator should be grounded using wrist strap. Semiconductor devices must not be touched with bare hands. Similar precautions need to be taken for PW boards with semiconductor devices on it.

② HANDLING OF UNUSED INPUT PINS FOR CMOS

Note:

No connection for CMOS device inputs can be cause of malfunction. If no connection is provided to the input pins, it is possible that an internal input level may be generated due to noise, etc., hence causing malfunction. CMOS devices behave differently than Bipolar or NMOS devices. Input levels of CMOS devices must be fixed high or low by using a pull-up or pull-down circuitry. Each unused pin should be connected to V_{DD} or GND with a resistor, if it is considered to have a possibility of being an output pin. All handling related to the unused pins must be judged device by device and related specifications governing the devices.

③ STATUS BEFORE INITIALIZATION OF MOS DEVICES

Note:

Power-on does not necessarily define initial status of MOS device. Production process of MOS does not define the initial operation status of the device. Immediately after the power source is turned ON, the devices with reset function have not yet been initialized. Hence, power-on does not guarantee out-pin levels, I/O settings or contents of registers. Device is not initialized until the reset signal is received. Reset operation must be executed immediately after power-on for devices having reset function.

Reference Documents**NEC Semiconductor Device Reliability/Quality Control System (C10983E)****Semiconductor Device Mounting Technology (C10535E)**

- **The information in this document is current as of November, 2002. The information is subject to change without notice. For actual design-in, refer to the latest publications of NEC Electronics data sheets or data books, etc., for the most up-to-date specifications of NEC Electronics products. Not all products and/or types are available in every country. Please check with an NEC Electronics sales representative for availability and additional information.**
- No part of this document may be copied or reproduced in any form or by any means without the prior written consent of NEC Electronics. NEC Electronics assumes no responsibility for any errors that may appear in this document.
- NEC Electronics does not assume any liability for infringement of patents, copyrights or other intellectual property rights of third parties by or arising from the use of NEC Electronics products listed in this document or any other liability arising from the use of such products. No license, express, implied or otherwise, is granted under any patents, copyrights or other intellectual property rights of NEC Electronics or others.
- Descriptions of circuits, software and other related information in this document are provided for illustrative purposes in semiconductor product operation and application examples. The incorporation of these circuits, software and information in the design of a customer's equipment shall be done under the full responsibility of the customer. NEC Electronics assumes no responsibility for any losses incurred by customers or third parties arising from the use of these circuits, software and information.
- While NEC Electronics endeavors to enhance the quality, reliability and safety of NEC Electronics products, customers agree and acknowledge that the possibility of defects thereof cannot be eliminated entirely. To minimize risks of damage to property or injury (including death) to persons arising from defects in NEC Electronics products, customers must incorporate sufficient safety measures in their design, such as redundancy, fire-containment and anti-failure features.
- NEC Electronics products are classified into the following three quality grades: "Standard", "Special" and "Specific".

The "Specific" quality grade applies only to NEC Electronics products developed based on a customer-designated "quality assurance program" for a specific application. The recommended applications of an NEC Electronics product depend on its quality grade, as indicated below. Customers must check the quality grade of each NEC Electronics product before using it in a particular application.

"Standard": Computers, office equipment, communications equipment, test and measurement equipment, audio and visual equipment, home electronic appliances, machine tools, personal electronic equipment and industrial robots.

"Special": Transportation equipment (automobiles, trains, ships, etc.), traffic control systems, anti-disaster systems, anti-crime systems, safety equipment and medical equipment (not specifically designed for life support).

"Specific": Aircraft, aerospace equipment, submersible repeaters, nuclear reactor control systems, life support systems and medical equipment for life support, etc.

The quality grade of NEC Electronics products is "Standard" unless otherwise expressly specified in NEC Electronics data sheets or data books, etc. If customers wish to use NEC Electronics products in applications not intended by NEC Electronics, they must contact an NEC Electronics sales representative in advance to determine NEC Electronics' willingness to support a given application.

(Note)

- (1) "NEC Electronics" as used in this statement means NEC Electronics Corporation and also includes its majority-owned subsidiaries.
- (2) "NEC Electronics products" means any product developed or manufactured by or for NEC Electronics (as defined above).