

www.DataSheet4U.com

SPEC.NO.	TQ3C-8EACO-E1DDE02-01
DATE	October 07, 2003

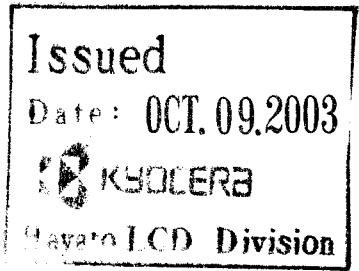
S P E C

FOR :

TYPE : TCG057QV1AA-G00

C O N T E N T S

1. Application
2. Construction and Outline
3. Mechanical Specifications
4. Absolute Maximum Ratings
5. Electrical Characteristics
6. Optical Characteristics
7. Interface Signals
8. Timing Characteristics of input signals
9. Backlight Characteristics
10. Lot Number Identification
11. Warranty
12. Precautions for Use
13. Reliability Data / Environmental Test
14. Outline Drawing



KYOCERA CORPORATION  
KAGOSHIMA HAYATO PLANT  
LCD DIVISION

This specification is subject to change without notice.  
Consult Kyocera before ordering.

Original	Designed by :Engineering Dept.			Confirmed by :QA Dept.	
Issue Data	Prepared	Checked	Approved	Checked	Approved
July 11, 2003	<i>H. Nishino</i>	<i>J. Yamazaki</i>	<i>H. Ohno</i>	<i>J. Yoshida</i>	<i>T. Hinami</i>

www.DataSheet4U.com

## Caution

1. This Kyocera LCD module has been specifically designed for use only in electronic devices in the areas of audio control, office automation, industrial control, home appliances, etc. The modules should not be used in applications where module failure could result in physical harm or loss of life, and Kyocera expressly disclaims any and all liability relating in any way to the use of the module in such applications.
2. Customer agrees to indemnify, defend and hold Kyocera harmless from and against any and all actions, claims, losses, damages, liabilities, awards, costs, and expenses, including legal fees, resulting from or arising out of Customer's use, or sale for use, of Kyocera modules in applications.
3. Kyocera shall have the right, which Customer hereby acknowledges, to immediately scrap or destroy tooling for Kyocera modules for which no Purchase Orders have been received from the Customer in a two-year period.

Revision Record

Date		Designed by: Engineering Dept.			Confirmed by: QA Dept.	
		Prepared	Checked	Approved	Checked	Approved
Oct. 7, 2003		<i>H. Nishino</i>	<i>Y. Yamazaki</i>	<i>H. Okno</i>	<i>Y. Yoshida</i>	<i>T. Tsunami</i>
Rev. No.	Date	Page	Descriptions			
01	Oct. 7, 2003	-	Reconsidering all items.			

## 1. Application

This data sheet defines the specification for a  $(320 \times R.G.B) \times 240$  dot, amorphous silicon TFT transmissive color dot matrix type Liquid Crystal Display with CFL backlight.

## 2. Construction and Outline

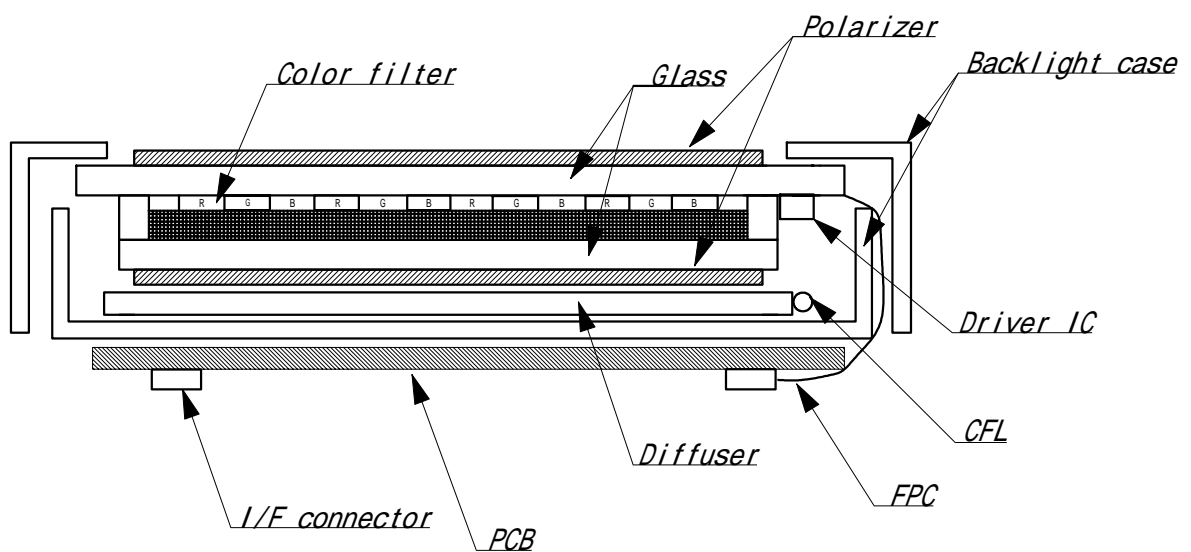
$(320 \times R.G.B) \times 240$  dots, COG type LCD with CFL backlight.

Backlight system : "U" figured type CFL (1 tube).

Inverter : Option.  
Recommended Inverter : CXA-L0612A-VJL(TDK)  
or Equivalent.

Polarizer : Glare treatment.

Additional circuits : Timing controller, Power supply (3.3V input)



This drawing is showing conception only.

### 3. Mechanical Specifications

ITEM	SPECIFICATION	UNIT
Outline dimensions	144.0 (W) × 104.8 (H) × 12.7 (D)	mm
Effective viewing area	117.2 (W) × 88.4 (H)	mm
Dot number	(320 × R.G.B) (W) × 240 (H)	Dots
Dot pitch	0.12 (W) × 0.36 (H)	mm
Display mode *1	Normaly white	-
Mass	200	g

\*1 Due to the characteristics of the LCD material, the color varies with environmental temperature.

### 4. Absolute Maximum Ratings

#### 4-1. Electrical absolute maximum ratings

ITEM	SYMBOL	Min.	Max.	UNIT
Power input voltage	VDD	0	4.0	V
Input signal voltage *1	Vin	-0.3	6.0	V

\*1 Input signals : CK, R0 ~ R5, G0 ~ G5, B0 ~ B5, Hsync, Vsync, ENAB, R/L, U/D, V/Q

#### 4-2. Environmental absolute maximum ratings

ITEM	SYMBOL	Min.	Max.	UNIT
Operating temperature *1	Top	-10	70	
Storage temperature *2	Tsto	-30	80	
Operating humidity *3	Hop	10	*4	%RH
Storage humidity *3	Hsto	10	*4	%RH
Vibration	-	*5	*5	-
Shock	-	*6	*6	-

\*1 Operating temperature means a temperature which operation shall be guaranteed.  
Since display performance is evaluated at 25C, another temperature range should be confirmed.

\*2 Temp. = -30 < 48 h , Temp = 80 < 168 h  
Store LCD panel at normal temperature/humidity.  
Keep it free from vibration and shock.  
LCD panel that is kept at low or high temperature for a long time can be defective due to the other conditions, even if the temperature satisfies standard.  
(please refer to 12.Precautions for use as detail).

\*3 Non-condensation.

\*4 Temp. 40 , 85%RH Max.  
Temp. > 40 , Absolute Humidity shall be less than 85% RH at 40 .

\*5

Frequency	10 ~ 55 Hz	Converted to acceleration value : ( 0.3 ~ 9 m/s <sup>2</sup> )
Vibration width	0.15 mm	
Interval	10-55-10 Hz 1 minute	

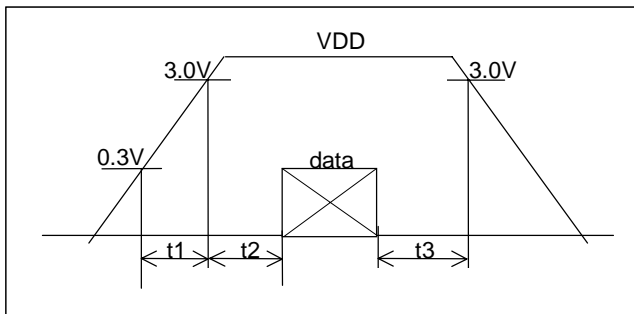
2 hours in each direction X/Y/Z (6 hours as total)  
EIAJ ED-2531

\*6 Acceleration: 490m/s<sup>2</sup>  
Pulse width : 11 ms  
3 times in each direction : ±X/±Y/±Z.  
EIAJ ED-2531

## 5. Electrical Characteristics

ITEM	SYMBOL	MIN	TYP	MAX	UNIT
Power input voltage *1	VDD	3.0	3.3	3.6	V
Current consumption *2					
Permissive input ripple voltage(VDD=3.3V)	VRP	-	-	100	mVp-p
Input signal voltage (Low) *3	VIL	0	-	0.2VDD	V
Input signal voltage (High) *3	VIH	0.8VDD	-	VDD	V

\*1 VDD-turn-on conditions



$0 < t_1 \leq 20 \text{ ms}$   
 $0 < t_2 \leq 50 \text{ ms}$   
 $0 < t_3 \leq 1 \text{ s}$

\*2 Power consumption  
Black & White pattern :

VDD = 3.3V, V/Q=H  
 123 456 789 . . . . . 958959960(dot)  
 1  
 2  
 3  
 :  
 :  
 2 3 9  
 2 4 0  
 ( d o t )

\*3 Input signals : CK, R0 ~ R5, G0 ~ G5, B0 ~ B5, Hsync, Vsync, ENAB, R/L, U/D, V/D

## 6 .Optical Characteristics

Measuring points = 6.0mm , Temp. = 25

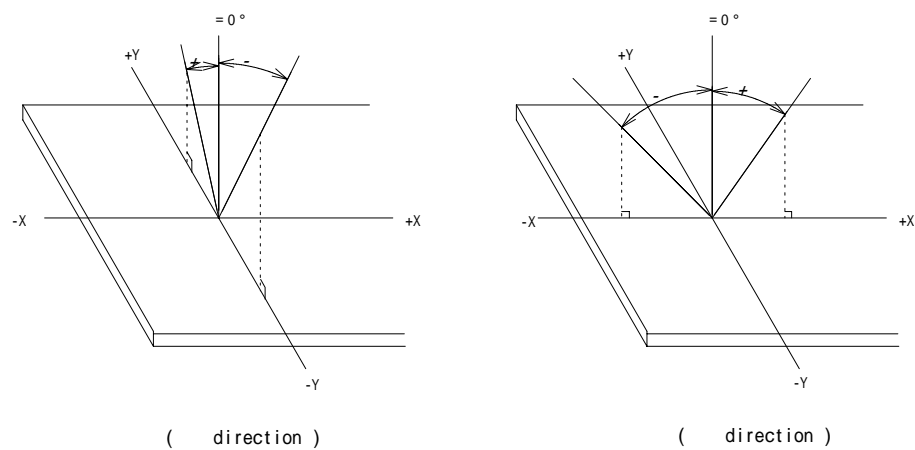
ITEM		SYMBOL	CONDITION	MIN	TYP	MAX	UNIT	
Response time	Rise	r	= =0°	-	30	-	ms	
	Down	d	= =0°	-	50	-	ms	
Viewing angle range			CR 5	Upper	-	70	-	deg.
				Lower	-	50	-	
				Left	-	70	-	deg.
				Right	-	70	-	
Contrast ratio		CR	= =0°	(T.B.D)	300	-	-	
Brightness(IL=4.0mArms.)		L		(T.B.D)	450	-	cd/m <sup>2</sup>	
Chromaticity coordinates	Red	x	= =0°	(0.55)	(0.60)	(0.65)	-	
		y		(0.30)	(0.35)	(0.40)		
	Green	x	= =0°	(0.25)	(0.30)	(0.35)		
		y		(0.50)	(0.55)	(0.60)		
	Blue	x	= =0°	(0.09)	(0.14)	(0.19)		
		y		(0.07)	(0.12)	(0.17)		
	White	x	= =0°	(0.25)	(0.30)	(0.35)		
		y		(0.27)	(0.32)	(0.37)		

6-1. Contrast ratio is defined as follows:

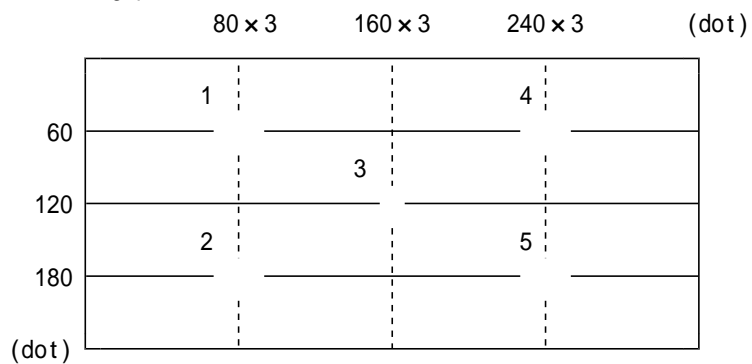
$$CR = \frac{\text{Brightness at all pixels "White"}}{\text{Brightness at all pixels "Black"}}$$



6-2. Definition of viewing angle



6-3. Measuring points



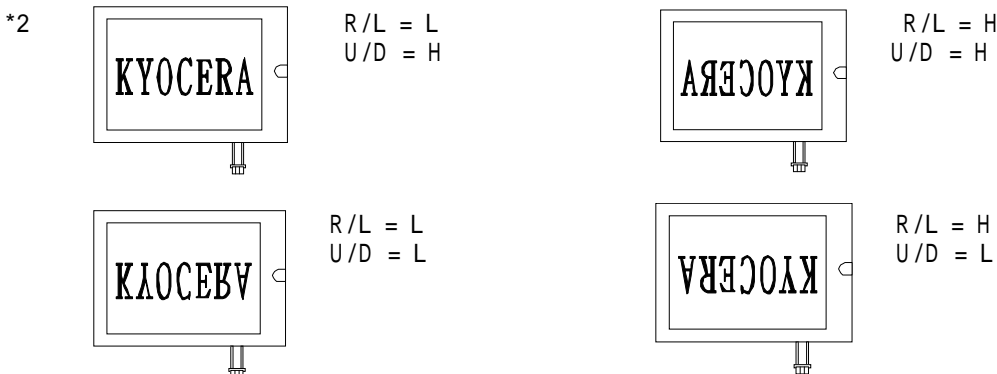
- 1) Rating is defined as the average brightness inside the viewing area.
- 2) 30 minutes after CFL is turned on. (Ambient Temp.=25 )
- 3) The inverter should meet the eccentric conditions;
  - Sine, symmetric waveform without spike in positive and negative.

## 7 . Interface signals

### 7-1. LCD

PIN NO.	SYMBOL	DESCRIPTION	I/O	Note
1	GND	GND	-	
2	CK	Clock signal for sampling each data signal	I	
3	Hsync	Horizontal synchronous signal (negative)	I	
4	Vsync	Vertical synchronous signal (negative)	I	
5	GND	GND	-	
6	R0	RED data signal (LSB)	I	
7	R1	RED data signal	I	
8	R2	RED data signal	I	
9	R3	RED data signal	I	
10	R4	RED data signal	I	
11	R5	RED data signal (MSB)	I	
12	GND	GND	-	
13	G0	GREEN data signal (LSB)	I	
14	G1	GREEN data signal	I	
15	G2	GREEN data signal	I	
16	G3	GREEN data signal	I	
17	G4	GREEN data signal	I	
18	G5	GREEN data signal (MSB)	I	
19	GND	GND	-	
20	B0	BLUE data signal (LSB)	I	
21	B1	BLUE data signal	I	
22	B2	BLUE data signal	I	
23	B3	BLUE data signal	I	
24	B4	BLUE data signal	I	
25	B5	BLUE data signal (MSB)	I	
26	GND	GND	-	
27	ENAB	Signal to settle the horizontal display position (positive)	I	*1
28	VDD	3.3V power supply	-	
29	VDD	3.3V power supply	-	
30	R/L	Horizontal display mode select signal L : Normal , H : Left / Right reverse mode	I	*2
31	U/D	Vertical display mode select signal H : Normal , L : Up / Down reverse mode	I	*2
32	V/Q	VGA / QVGA mode select signal	I	
33	GND	GND	-	

\*1 The horizontal display start timing is settled in accordance with a rising timing of ENAB signal.  
In case ENAB is fixed "Low", the horizontal start timing is determined as described in 8-2.  
Don't keep ENAB "High" during operation.



### 7-2 . C F L

PIN NO.	SYMBOL	DESCRIPTION
1	Hot	Inverter output high voltage side
2	NC	
3	Cold	Inverter output low voltage side

LCD side connector : BHR-03VS-1 (JST)  
Recommended matching connector : SM02-(8.0)B-BHS-1 (JST)

## 8 . Timing Characteristics of input signals

### 8-1. Timing characteristics

ITEM		SYMBOL	MIN	TYP	MAX	UNIT	NOTE
Clock	Frequency	1/Tc	-	(25.18)	(28.33)	MHz	V/Q=H
				(6.3)	(7.0)		V/Q=L
	Duty ratio	Tch/Tc	(40)	(50)	(60)	%	
Data	Set up time	Tds	(5)	-	-	ns	
	Hold time	Tdh	(10)	-	-	ns	
Horizontal sync. signal	Cycle	TH	(30.0)	(31.8)	-	$\mu$ s	V/Q=H
			(770)	(800)	(900)	clock	
		TH	(50.0)	(63.6)	-	$\mu$ s	V/Q=L
			(360)	(400)	(450)	clock	
	Pulse width	THp	(2)	(96)	(200)	clock	
Vertical sync. signal	Cycle	TV	(515)	(525)	(560)	line	V/Q=H
		TV	(251)	(262)	(280)		V/Q=L
	Pulse width	TVp	(2)	-	(34)	line	
Horizontal display period		THd	320			clock	
Hsync.-Clock phase difference		THc	10	-	Tc-10	ns	
Hsync.-Vsync. phase difference		TVh	0	-	TH-THp	ns	
Vertical sync.signal start position		TVs	(34)			line	V/Q=H
			(7)				V/Q=L
Vertical display period		TVd	240			line	

\*In case of lower frequency, the deterioration of the display quality, flicker etc., may occur.

### 8-2. Horizontal display position

The horizontal display position is determined by ENAB signal.

ITEM		SYMBOL	MIN	TYP	MAX	UNIT	NOTE
Enable signal	Set up time	Tes	(5)	-	(Tc-10)	ns	
	Pulse width	Tep	(2)	(320)	(TH-10)	clock	
Hsync.-Enable signal phase difference		The	(44)	-	(TH-664)	clock	V/Q=H
			(2)	-	(TH-340)		V/Q=L

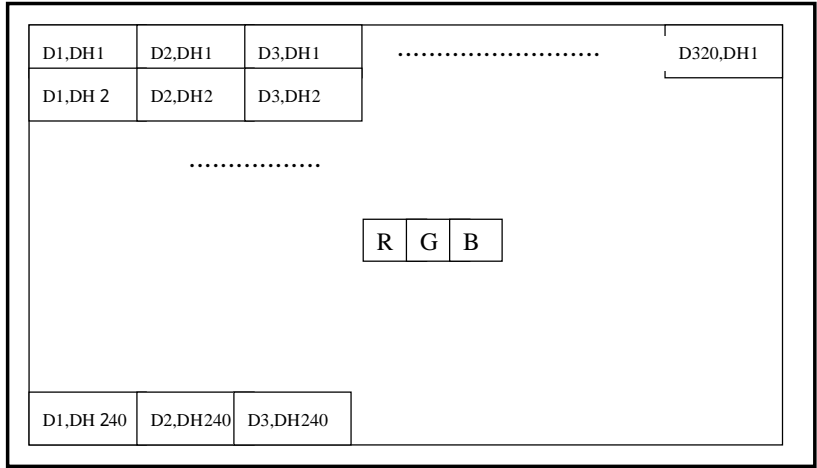
\*When ENAB is fixed at "V/Q=H", the display starts from the data of C104(clock) as shown in 8-5.

\*When ENAB is fixed at "V/Q=L", the display starts from the data of C52(clock) as shown in 8-5.

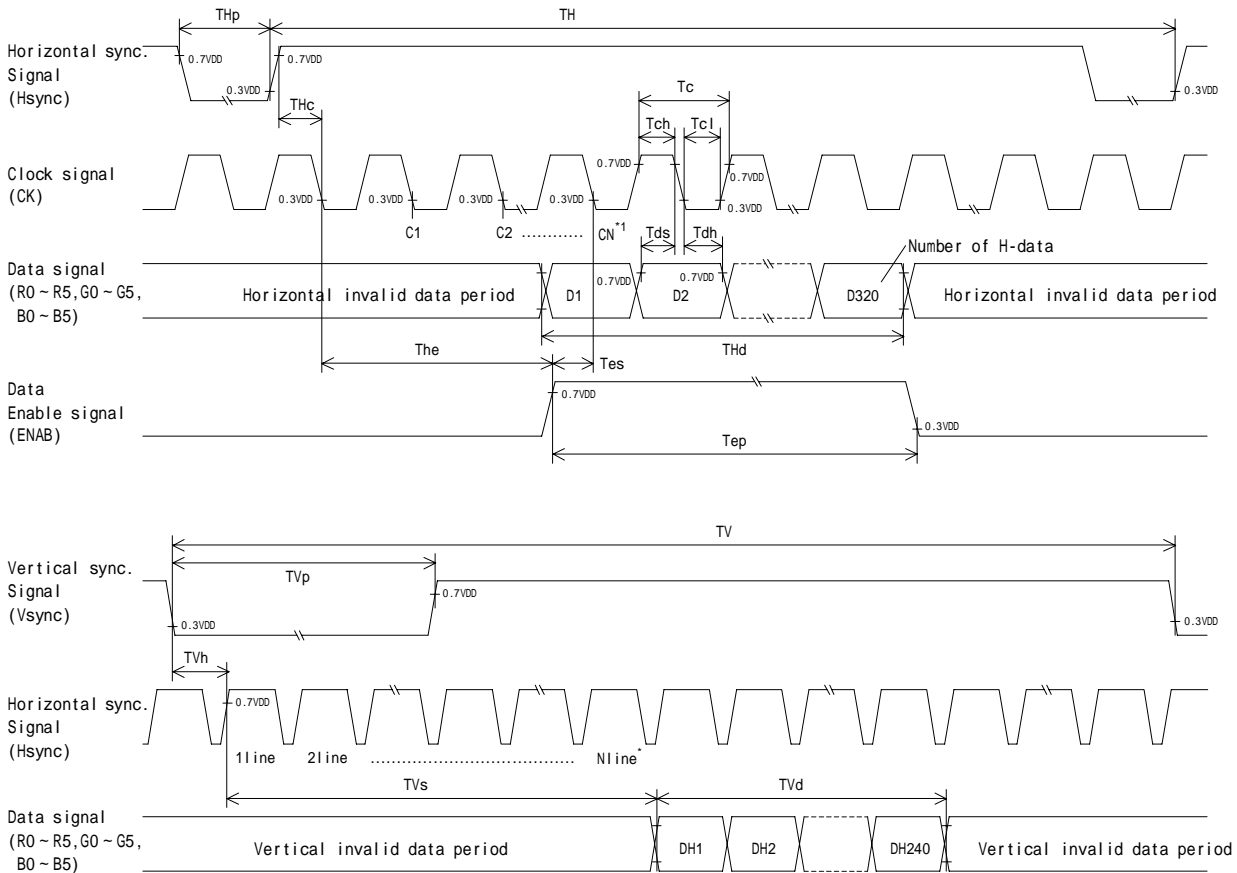
8-3. Vertical display position

The vertical display position (TVs) is fixed at 34th line (V/Q=H) and 7th line (V/Q=L).  
 Note) ENAB signal is independent of vertical display position.

8-4. Input Data Signals and Display position on the screen



8-5. Input Timing Characteristics



\*1 When ENAB is fixed at  $V/Q = H$  the display starts from the data of C104(Clock).  
 When ENAB is fixed at  $V/Q = L$  the display starts from the data of C52(Clock).

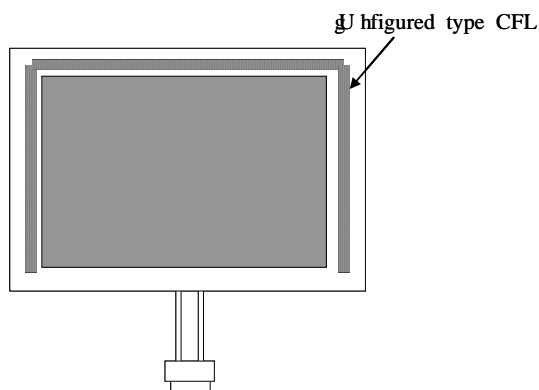
\*2 The vertical display position(TVs) is fixed at 34<sup>th</sup> line(V/Q=H) and 7<sup>th</sup> line(V/Q=L).

## 9. Backlight Characteristics

Temp. = 25

ITEM	SYMBOL	MIN.	TYP.	MAX.	NOTE
Starting discharge Voltage *1	VS	-	-	1660 Vrms.	-10
		-	-	1035 Vrms.	25
Discharging tube current *2,*3	IL	3.0 mArms.	4.0 mArms.	5.0 mArms.	-
Discharging tube voltage	VL	-	685 Vrms.	-	-
Operating life (IL=4.0 mArms.) *4	T	60,000 h	75,000 h	-	-
Operating frequency	F	30 kHz	-	100 kHz	-

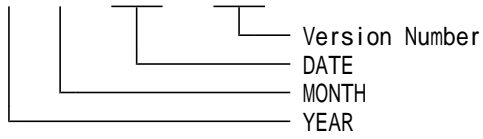
- \*1 The Non-load output voltage (VS) of the inverter should be designed to have some margin, because VS may increase due to the leak current which may be caused by wiring of CFL cables. (Reference value : 2015Vrms Min.)
- \*2 We recommend that you should set the discharging tube current at lower than typical value so as to prevent the heat accumulation of CFL tube from deteriorating a performance of the LCD.
- \*3 Do not apply more than 6.0mA discharging tube current. Because CFL maybe broken due to over current.
- \*4 When the illuminance or quantity of light has decreased to 50 % of the initial value. Average life time of CFL will be decreased when LCD is operating at lower and higher temperature.
- \*5 There may be a case that an interference noise between an input signal frequency of LCD and a brightness adjustment frequency of a backlight inverter is appeared. Please set the brightness adjustment frequency of a backlight inverter not to appear the interference noise.
- \* CFL arrangement figure



## 1 0 . Lot Number Identification

The lot number shall be indicated on the back of the backlight case of each LCD.

TCG057QV1AA - G00 - -



YEAR	2003	2004	2005	2006	2007	2008
CODE	3	4	5	6	7	8

MONTH	JAN.	FEB.	MAR.	APR.	MAY.	JUN.
CODE	1	2	3	4	5	6

MONTH	JUL.	AUG.	SEP.	OCT.	NOV.	DEC.
CODE	7	8	9	X	Y	Z

## 1 1 . Warranty

### 11-1. Incoming inspection

Please inspect the LCD within one month after your receipt.

### 11-2. Production Warranty

Kyocera warrants its LCDs for a period of 12 months after receipt by the purchaser, and within the limits specified. Kyocera shall, by mutual agreement, replace or rework defective LCDs that are shown to be Kyocera's responsibility.

## 1 2 . Precautions for use

### 12-1. Installation of the LCD

1. In case of necessity due to environment to use LCD and countermeasure of noise, LCD is structured to have GND connection available. We recommend to use LCD to connect GND in order to stabilize a display performance.
2. A transparent protection sheet shall be added to protect the LCD and its polarizers.
3. The LCD shall be installed so that there is no pressure on the LSI chips.
4. The LCD shall be installed flat, without twisting or bending.
5. The display window size should be the same as the effective viewing area.
6. In case you use outside frame of effective viewing area as outward appearance of your product, unevenness of its outward appearance is out of guarantee.
7. Do not pull the CFL lead wires and do not bend the root of the wires.  
Housing should be designed to protect CFL lead wires from external stress.
8. This Kyocera LCD module has been specifically designed for use in general electronic devices, but not for use in a special environment such as usage in an active gas.  
Hence, when the LCD is supposed to be used in a special environment, evaluate the LCD thoroughly beforehand and do not expose the LCD to chemicals such as an active gas.

### 12-2. Static Electricity

1. Since CMOS ICs are mounted directly onto the LCD glass, protection from static electricity is required. Operator should wear ground straps.

### 12-3. LCD Operation

1. The LCD shall be operated within the limits specified. Operation at values outside of these limits may shorten life, and/or harm display images.
2. Operation of the LCD at temperature below the limit specified may cause image degradation and/or bubbles.  
It may also change the characteristics of the liquid crystal.  
This phenomenon may not recover. The LCD shall be operated within the temperature limits specified.

### 12-4. Storage

1. The LCD shall be stored within normal temperature and humidity.  
Store in a dark area, and protected the LCD from direct sunlight or fluorescent light.
2. The LCD should be packaged to prevent damage.

### 12-5. Screen Surface

1. DO NOT store in a high humidity environment for extended periods.  
Image degradation, bubbles, and/or peeling off of polarizer may result.
2. The front polarizer is easily scratched or damaged.  
Prevent touching it with any hard material, and from being pushed or rubbed.
3. The LCD screen may be cleaned with a soft cloth or cotton pad.  
Methanol, or Isopropyl Alcohol may be used, but insure that all solvent residue is removed.
4. Water may cause damage or discoloration of the polarizer.  
Clean any condensation or moisture from any source immediately.
5. Always keep the LCD free from condensation during testing.  
Condensation may permanently spot or stain the polarizers.

### 1 3 . Reliability Data / Environmental Test

TEST ITEM	TEST CONDITION	TEST TIME	RESULT
High Temp. Atmosphere	80	240 h	Display Quality : No defect Display Function : No defect Current Consumption : No defect
Low Temp. Atmosphere	-30	240 h	Low Temp. Bubble : None Solid Crystallization of Liquid Crystal : None Display Quality : No defect Display Function : No defect Current Consumption : No defect
High Temp. Humidity Atmosphere	40 90 %RH	240 h	Display Quality : No defect Display Function : No defect Peel-off of Organic Sealing : None Current Consumption : No defect
Temp. Cycle	-30 0.5 h R.T. 0.5 h 80 0.5 h	10 cycles	Display Quality : No defect Display Function : No defect Peel-off of Organic Sealing : None Bubble on Cell : None
High Temp. Operation	70	500 h	Display Quality : No defect Current Consumption : No defect

- \* Each test item uses a test LCD only once. The tested LCD is not used in any other tests.
- \* The LCD is tested in circumstances in which there is no condensation.
- \* The tested LCD is inspected after 24 hours of storage at room temperature and room humidity after each test is finished.
- \* The reliability test is not an out-going inspection.
- \* The results of the reliability test are for your reference purpose only.  
The reliability test is conducted only to examine the LCD's capability.



