

Data Sheet

Description

The HSDL-7000 performs the modulation/demodulation function used to both encode and decode the electrical pulses from the IR transceiver. These pulses are then sent to a standard UART which has a BAUDOUT signal available externally. This signal is 16 times the selected baud rate. In applications where the 16XCLK is not available, an external means of generating the 16XCLK must be designed.

The HSDL-7000 is comprised of two state machines – the serial IR encode and the serial IR decode blocks. Each of these blocks derives their timing from the 16XCLK input signal from the UART. The Encode block is driven by the negative edge triggered TXD signal from the UART. This initiates the modulation state machine resulting in the 3/16 modulated IR_TXD signal which drives the IR transceiver module. The IR Decode block is driven by the negative edge triggered IR_RCV signal from the infrared transceiver module. After this signal is demodulated and stretched, it drives the RCV signal to the UART.

Features

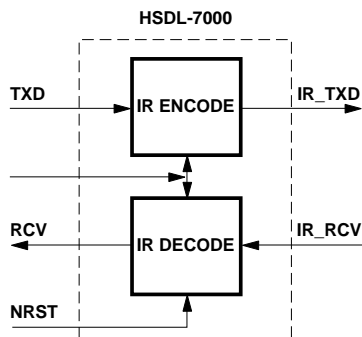
- Compliant with IrDA physical layer specs
- Interfaces with IrDA compliant SIR (115Kbps) transceiver
- 1 Micron CMOS gate array
- Used in conjunction with standard 16550 UART

Applications

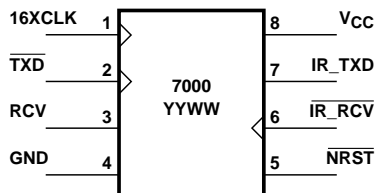
Interfaces with SIR infrared transceivers to perform:

- **Serial half-duplex data transfer between:**
 - Notebook computers
 - Subnotebooks
 - Desktops PCs
 - PDAs
 - Printers
 - Other peripheral devices
- **Telecom applications in:**
 - Modems
 - Fax machines
 - Pagers
 - Phones
- **Industrial applications in:**
 - Data collection devices
- **Medical applications in:**
 - Patient and pharmaceutical data collection

Schematic



Pin Out



Pin Description

16XCLK - Positive edge triggered input clock that is set to 16 times the data transmission baud rate. The encode and decode schemes require this signal. The signal is usually tied to a UART's BAUDOUT signal.

TXD - Negative edge triggered input signal; usually tied to a UART's SOUT signal (serial data to be transmitted).

RCV - Output signal which is usually tied to a UART's SIN signal (received serial data).

GND - Chip ground.

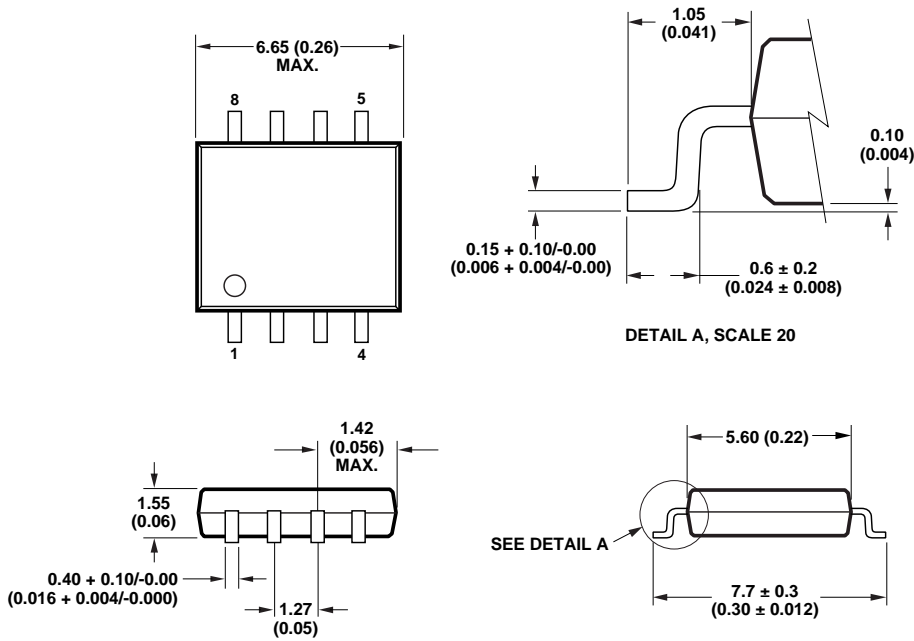
NRST - Active low signal used to reset the decode state machine. This signal can be tied to POR (Power on reset) or V_{CC} . This signal can also be used to disable any data reception.

IR_RCV - A $\frac{3}{16}$ th pulse width input signal from the infrared transceiver. The signal is a demodulated (pulse stretched) to generate the RCV output signal.

IR_TXD - This signal is the modulated $\frac{3}{16}$ ths TXD signal which is input to the infrared transceiver.

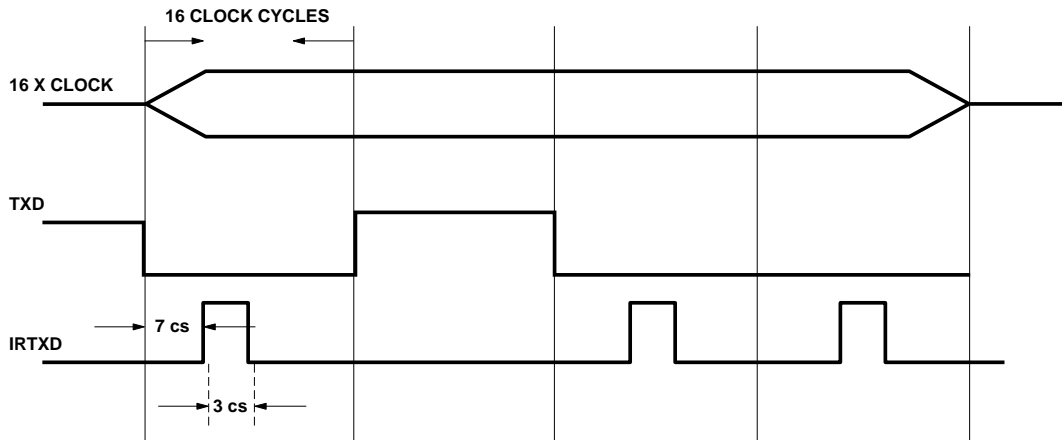
V_{CC} - Power.

Package Dimensions



NOTE: DIMENSIONS IN MILLIMETERS (INCHES).

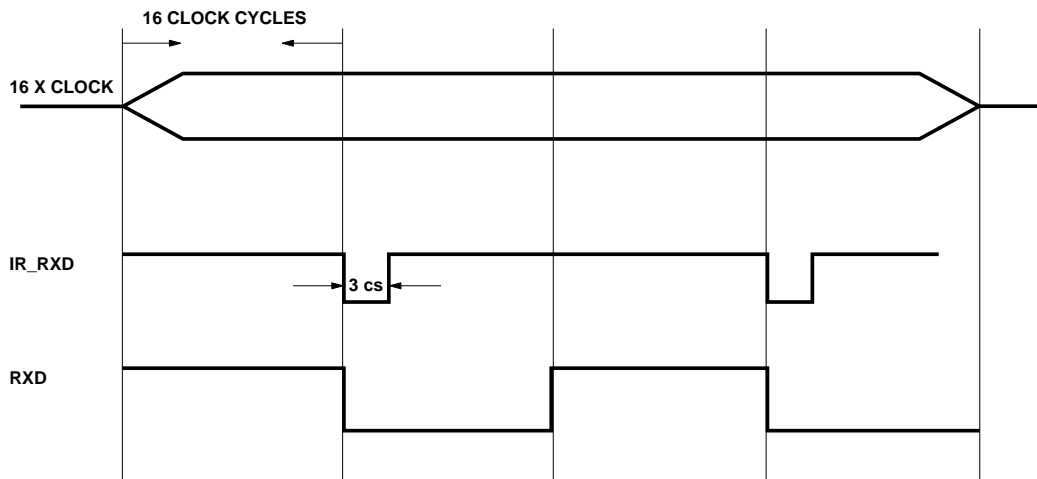
Encoding Scheme



The encoder sends a pulse for every space or "0" that is sent on the TXD line. On a high to low transition of the TXD line, the generation of the pulse is delayed

for 7 clock cycles of the 16XCLK before the pulse is set high for 3 clock cycles (or 3/16th of a bit time) and then subsequently pulled low.

Decoding Scheme



A high to low transition of the IR_RXD line from the infrared transceiver module signifies a 3/16th pulse. This pulse is stretched to accommodate 1 bit time (16 clock cycles). Every

pulse that is received is translated into a "0" or space on the RXD line equal to 1 bit time.

Note: The stretched pulse must be at least 3/4 of a bit time in duration to be correctly interpreted by a UART.

Absolute Maximum Ratings

Parameter	Symbol	Min.	Max.	Units	Conditions
Storage Temperature	T_S	-65	+150	°C	
Operating Temperature	T_A	-40	+85	°C	
Output Current	I_O		10	mA	
Power Dissipation	P_{MAX}		0.22	W	
Input/Output Voltage	V_I/V_O	-0.5	$V_{CC} + 0.5$	V	
Power Supply Voltage	V_{CC}	-0.5	+6.5	V	

Switching Specifications

($V_{CC} = 5 \text{ Volts} \pm 10\%$, $T_A = -40 \text{ to } +85^\circ\text{C}$)

Parameter	Symbol	Min.	Typ.	Max.	Units	Conditions
Toggle Frequency	f_{tog}		120		Mhz	
Propagation Delay Time	t_{pd}		0.5		ns	Internal Gate
			1.0		ns	Input Buffer
			2.0		ns	Output Buffer
Output Fall Time	t_f		1.42		ns	Output Buffer ($C_L = 15 \text{ pF}$)
Output Rise Time	t_r		1.54		ns	Output Buffer ($C_L = 15 \text{ pF}$)

Note: f_{tog} represents the maximum internal D-Type Flip Flop toggle rate

Capacitance

($V_{CC} = 0 \text{ Volts}$, $T_A = -40 \text{ to } +85^\circ\text{C}$)

Parameter	Symbol	Min.	Typ.	Max.	Units	Conditions
Input Capacitance	C_{IN}		10	20	pF	f = 1 MHz - Unmeasured Pins Returned to 0 Volts
Output Capacitance	C_{OUT}		10	20	pF	
Output Fall Time			10	20	pF	

Recommended Operating Conditions

($T_A = -40$ to $+85^\circ\text{C}$)

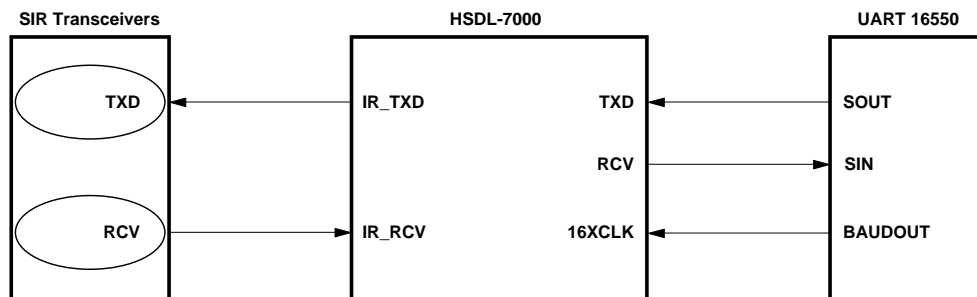
Parameter	Symbol	Min.	Typ.	Max.	Units	Conditions
Supply Voltage	V_{CC}	2.7	5.0	5.5	V	CMOS level
Input Voltage	V_I	0.0		V_{CC}	V	CMOS level
Ambient Temperature	T_A	-40		+85	$^\circ\text{C}$	CMOS level
High Level Input Voltage	V_{IH}	$0.7 V_{CC}$		V_{CC}	V	CMOS level
Low Level Input Voltage	V_{IL}	0.0		$0.3 V_{CC}$	V	CMOS level
Positive Trigger Voltage	V_P	1.61		4.00	V	CMOS level
Negative Trigger Voltage	V_N	0.55		3.10	V	CMOS level
Hysteresis Voltage	V_H	0.50		2.00	V	CMOS level
Power Dissipation	P_{DISS}		4.9	220	mW	$f_{16XCLK} = 2$ MHz
Input Rise Time	t_{ri}			200	ns	$f_{16XCLK} = 2$ MHz
Input Fall Time	t_{fa}			200	ns	$f_{16XCLK} = 2$ MHz
Max Clk Frequency (16XCLK)	f_{16XCLK}			2	MHz	
Minimum Pulse Width (IR_TXD)*	t_{mpx}	250			ns	$f_{16XCLK} = 2$ MHz

*IrDA Parameters. The Max Clk Frequency represents the maximum clock frequency to drive the HSDL-7000's internal state machine. Under normal circumstances, this clock input should not exceed $16 * 115.2$ Kbp/s or 1.8432 MHz. This product can operate at higher clock rates, but the above is the recommended rate.

The Minimum Pulse Width represents the minimum pulse width of the encoded IR_TXD pulse (and the IR_RCV pulse). As per the IrDA specifications, the minimum pulse width of the IR_TXD and IR_RCV pulses should be $3 * (1/1.8432 \text{ MHz})$ or $1.63 \mu\text{s}$. The minimum pulse width specified for the HSDL-7000 is 250 ns, which is within IrDA specification. Under normal circumstances, the pulse width should not be less than $1.63 \mu\text{s}$.

Application Circuits

HSDL-7000 Connection to UART



At the time of this publication, Light Emitting Diodes (LEDs) that are contained in this product are regulated for eye safety in Europe by the Commission for European Electrotechnical Standardization (CENELEC) EN60825-1. Please refer to Application Brief I-008 for more information.

For product information and a complete list of distributors, please go to our website: www.avagotech.com

Avago, Avago Technologies, and the A logo are trademarks of Avago Technologies Limited in the United States and other countries.
Data subject to change. Copyright © 2006 Avago Technologies Limited. All rights reserved. Obsoletes 5964-9278E
5988-4569EN November 4, 2006

