

# TMX W369

SAW Bandpass Filter – Home & Building - RF  
Tentative Specification (Rev 2)

---

- ▣ Features..... P01
- ▣ Package Drawing & Pin out..... P01
- ▣ Technical Characteristics ..... P02
- ▣ Matching Network ..... P02
- ▣ Nominal Response..... P03
- ▣ Maximum Ratings..... P04
- ▣ Marking & Packaging ..... P04

# TMX W369

## SAW Bandpass Filter – Home & Building - RF

Tentative Specification (Rev.2)- RF

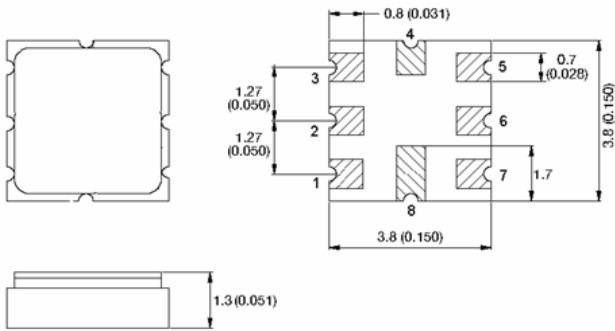
January 09<sup>th</sup>, 2006

### Features

- ❑ RFSAW Filter for Remote Control
- ❑ 916.05 MHz Center Frequency
- ❑ 0.9 MHz useable Passband
- ❑ 50 Ohms Single Configuration with external matching
- ❑ Ceramic package for Surface Mounted Technology

### Package Drawing & Pin out

The product is in conformance with the European RoHs Regulation 2002/95.



Pin Configuration	
Input	2
Input Ground	1, 3
Output	5, 7
Output Ground	6
Case ground	4, 8

# TMX W369

## SAW Bandpass Filter – Home & Building - RF

Tentative Specification (Rev.2)- RF

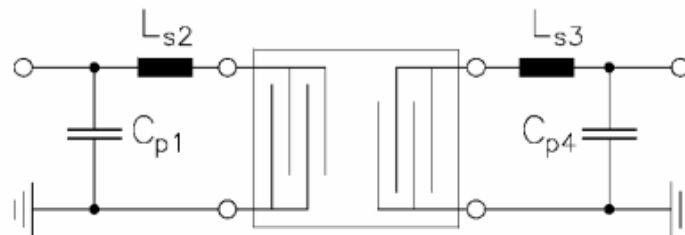
January 09<sup>th</sup>, 2006

### Technical Characteristics

Reference Temperature : +25°C

Electrical Parameters	Unit	Minimum	Typical <sup>(1)</sup>	Maximum
Source Impedance (single)	Ohms	-	50	-
Load Impedance (single)	Ohms	-	50	-
Center Frequency $f_c$	MHz	-	916.05	-
Bandwidth	dB	-	1.2	1.5
<b>Absolute Attenuation</b>				
at $f_o - 21.4$ MHz	dB	33	40	-
at $f_o - 10.7$ MHz	dB	15	30	-
Ultimate	dB	-	60	-
Insertion Loss	dB	-	4.5	5.3
<b>Temperature Stability</b>				
Turnover Temperature	°C	15	25	40
Turnover Frequency	MHz	-	$f_o$	-
Frequency Temperature Coefficient	ppm/°C <sup>2</sup>	-	0.032	
Frequency Aging Absolute Value during the first year	ppm/yr	-	<±10	-

### Matching Network



# TMX W369

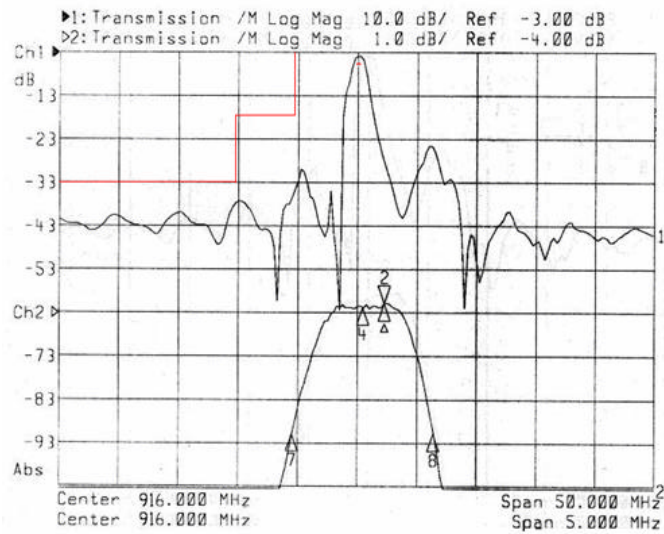
## SAW Bandpass Filter – Home & Building - RF

Tentative Specification (Rev.2)- RF

January 09<sup>th</sup>, 2006

**Nominal Frequency Response (simulation)**

**Frequency Response**



# TMX W369

## SAW Bandpass Filter – Home & Building - RF

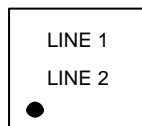
Tentative Specification (Rev.2)- RF

January 09<sup>th</sup>, 2006

### Maximum Ratings

Storage Temperature Range	°C	[-40°C ; +85°C]
Operable temperature Range	°C	[-20°C ; +60°C]
DC voltage	V	10
Input Power	dBm	13

### Marking



Line 1: "NNNN" is the reference to Temex Part number with only the last 4 digits

Line 2: RYWWZZ is the date code as:

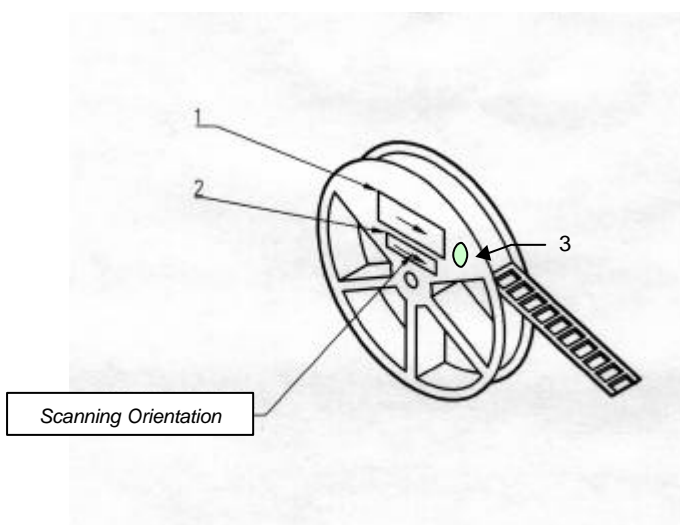
R: Partner identifier.

Y: last digit of the year.

WW: number of week in the year

ZZ: Lot number in the week (from AA to ZZ).

### Packaging



- 1 – Temex Label
- 2 – ESD Prevention Label
- 3 – Pb Free Label