

Type: EP109ME

UNDER DEVELOPMENT

Product Description

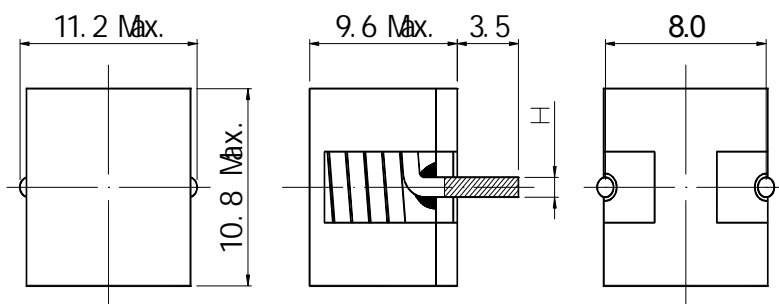
- 11.2 × 10.8mm Max.(L × W),9.6mm Max. Height.
- Inductance Range: 0.60 ~ 1.0 μ H.
- Rated current range:18.2 ~ 22.4A.
- Custom design is available.



Feature

- Magnetically shielded construction.
- Iron power core used. super high DC saturation current inductors.
- Ideally used in Desktop/Server CPU power supply.
- RoHS Compliance.

Dimensions (mm)



Part No.	Dimension H
R60	∅ 1.3
1R0	∅ 1.2

Specification

Part Name	Stamp	Inductance [Within] (μH) 100kHz	D.C.R. [Max.] (at 20) (mΩ) (Typ.)	Saturation Current (A) 1	Temperature rise current (A) 2
EP109MENP-0R6MC	0R6	0.6uH ± 20%	1.6	37.2	22.4
EP109MENP-1R0MC	1R0	1.0uH ± 20%	2.0	30.0	18.2

1. Superposition current: the D.C. current at which the inductance decreases to 80% of the initial value.
2. Temperature rise current: the D.C. current at which temperature rise is T=40 (Ta=20).

THIS SPEC IS NOT THE FINAL REVISION, AND SOME PARTS MAY BE CHANGED BEFORE PRODUCTION.