

SMDD-320I

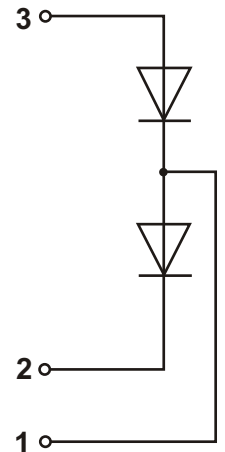
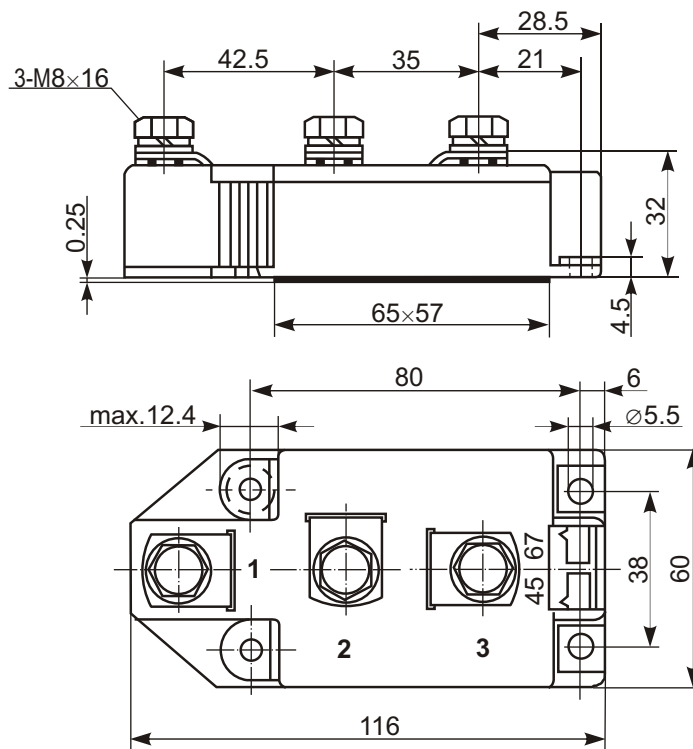


Diode-Diode Module



Type	V_{RSM}	V_{RRM}
SMDD-320I-08	900	800
SMDD-320I-12	1300	1200
SMDD-320I-14	1500	1400
SMDD-320I-16	1700	1600
SMDD-320I-18	1900	1800

Type	I_{FAVM}	I_{FRMS}	T_c	I_{FSM}	i^2t	V_{FM}	I_{FM}	V_{FO}	r_F	T_{VJM}	V_{isol}	R_{thJC}
	A	A	°C	KA	KA ² s	V	A	V	mΩ	°C	V	K/W
SMDD-320I	320	480	100	11.5	662	1.2	600	0.75	0.63	150	3600	0.129



Features:

- Industrial standard package
- Heat transfer through aluminium nitride ceramic isolated metal baseplate
- Precise internal pressure contacts for high reliability
- 3600V RMS isolation voltage

Typical Applications:

- DC power supply for instrument and equipment
- Power converters
- Electronic welders
- Lighting control