

# SMTC1-1200H

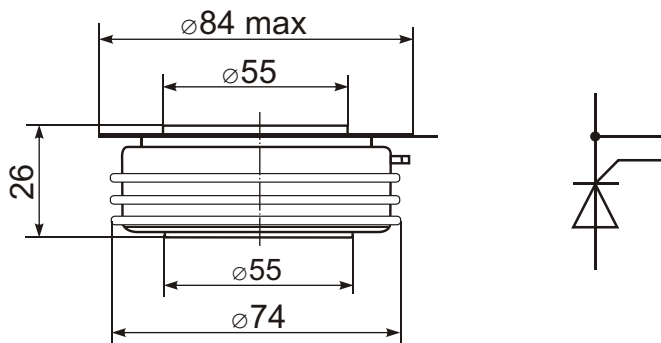
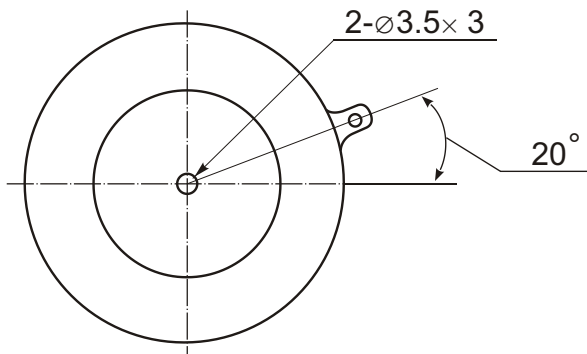


## High Frequency Thyristor



Type	$V_{RSM}$	$V_{RRM}$ , $V_{DRM}$
SMTC1-1200H-8	900	800
SMTC1-1200H-10	1100	1000
SMTC1-1200H-12	1300	1200
SMTC1-1200H-14	1500	1400
SMTC1-1200H-16	1700	1600

Type	$I_{TAVM}$ $T_c=55^\circ\text{C}$	$I_{TSM}$	$(di/dt)_{cr}$	$(dv/dt)_{cr}$	$V_{TM}$	$I_{TM}$	$V_{TO}$	$r_T$	$V_{GT}$	$I_{GT}$	$T_{VJM}$	$R_{thJC}$	F
	A	kA	A/ $\mu\text{s}$	V/ $\mu\text{s}$	V	kA	V	m $\Omega$	V	mA	$^\circ\text{C}$	K/W	kN
SMTC1-1200H	1200	14	250	500-1000	2.8	4.5	1.20	0.30	3.0	300	115	0.022	30



Type	$t_{g^*}$ $(T_c=105^\circ\text{C})$	$I_T/f$
	$\mu\text{s}$	A/KHz
SMTC1-1200H-xx-SGD9	8	800/8
SMTC1-1200H-xx-RGD9	10	
SMTC1-1200H-xx-PGD9	12	
SMTC1-1200H-xx-OGD9	16	
SMTC1-1200H-xx-NGD9	20	

### Features:

- Hermetic metal case with ceramic insulator
- Capsule packages for double sided cooling
- High frequency performance (2.5-10 KHz)
- International standard case
- Low consumption switch

### Typical Applications:

- Inverter
- Welding machine
- Inductive heating
- Uninterruptable power supplies