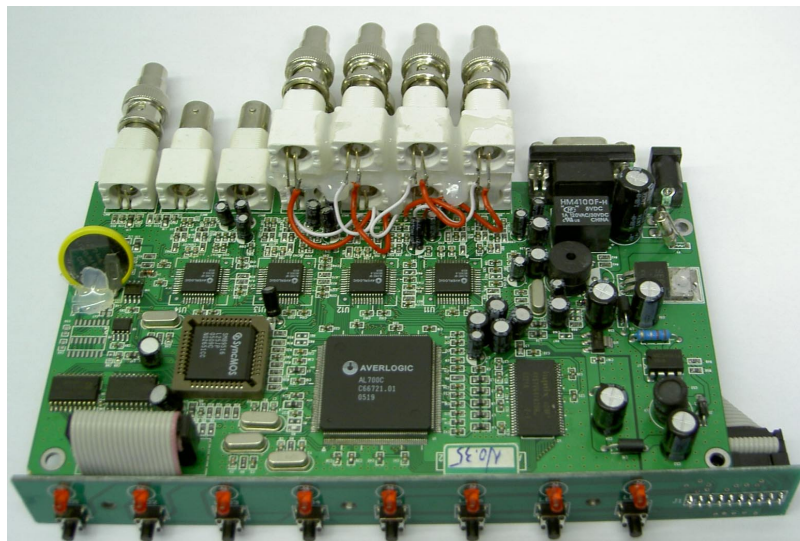
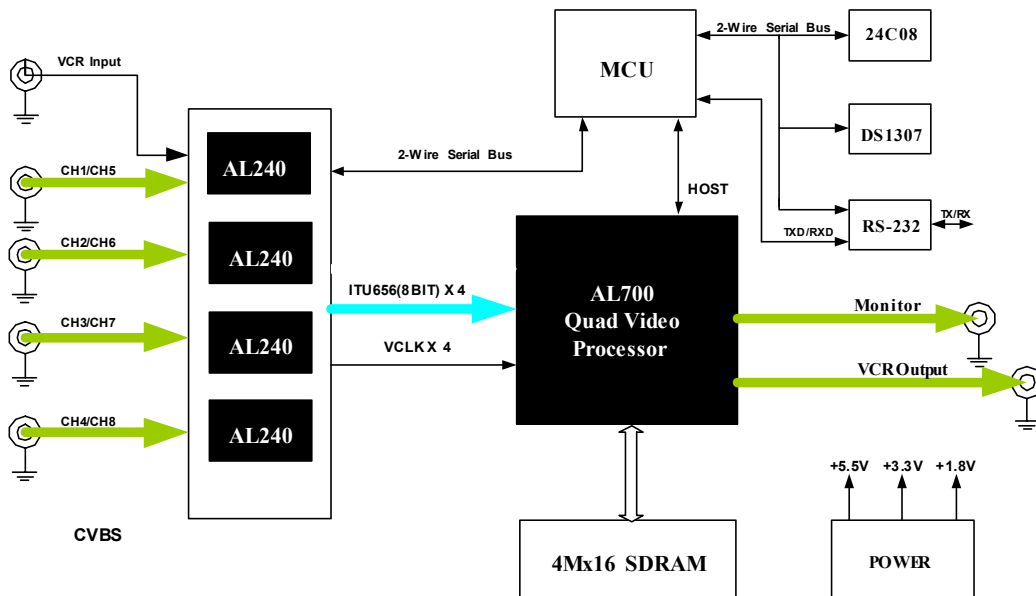


**AL700 Sales Kit**  
**Quad Video Processor Device**

The AL700 QUAD Video Processor device provides a total solution for video surveillance applications. It is mainly composed of four video decoders (AL240) for processing 4 channel analog video inputs to digital along with a quad video processor (AL700). It provides video outputs to TV monitor, VCR and digital storage devices with a low-cost, easy solution for 4 channels video surveillance applications.

It supports input connectors including four analog CVBS videos. It provides a cost-effective and high-quality NTSC/PAL video decoding with adaptive comb-filter Y/C separation process and quad video processing. It is also equipped with BCS (Brightness, Contrast, Saturation and Hue) control, zoom, freeze, internal OSD overlay and PIP support for monitoring and controlling video surveillance devices.





**AL700 Sales Kit**  
**Quad Video Processor Device**

**Features**

- High quality adaptive comb-filter for Y/C separation
- Various analog video types and inputs
- Brightness, Contrast, Saturation & Hue control
- 2x Zoom with vertical & horizontal interpolation
- Internal OSD overlay
- Individual channel freezable
- Picture-In-Picture function
- Channel switching with no rolling
- Support English, Chinese & Japanese languages

**Specifications**

**Video Input Types**

- NTSC – M/4.43 Standard
- PAL –I/B/G/H/D/N/M Standard

**Video Input Formats**

- CVBS (RCA)

**Video Output**

- CVBS (RCA)

**Debug Port**

- RS232 Serial Port
- 2-Wire Serial Bus Port

**Mechanical**

- RCA composite video input connectors for external analog video source
- DB-9 connector for debug serial port

**Ordering Information**

Part Number	<a href="#">AL700C-EVB-A1</a>
Description	AL700 EVB Kit Package Contents <ul style="list-style-type: none"> <li>➤ <b>Hardware</b> <ul style="list-style-type: none"> <li>■ AL700 Quad Video Processor EVB Device</li> <li>■ Power Cord and Adapter</li> </ul> </li> <li>➤ <b>Document</b> <ul style="list-style-type: none"> <li>■ EVB User's Manual</li> </ul> </li> </ul>

Part Number	<a href="#">AL700C-SDK-A1</a>
Description	AL700 SDK Kit Package Contents <ul style="list-style-type: none"> <li>➤ <b>Hardware</b> <ul style="list-style-type: none"> <li>■ AL700 Quad Video Processor EVB Device</li> <li>■ Power Cord and Adapter</li> <li>■ AL700 EVB H/W Reference Design (includes schematics, Gerber &amp; layout files)</li> </ul> </li> <li>➤ <b>Software</b> <ul style="list-style-type: none"> <li>■ AL700 EVB S/W Reference Design (includes source code &amp; binary files)</li> </ul> </li> <li>➤ <b>Document</b> <ul style="list-style-type: none"> <li>■ EVB User's Manual</li> <li>■ AL700 Datasheets</li> <li>■ AL240 Datasheets</li> <li>■ AL700 EVB H/W Application Note</li> </ul> </li> </ul>