

VI TELEFILTER**Filter specification****TFS 240K****1/5****Measurement condition**

Ambient temperature:	22	°C
Input power level:	02	dBm
Terminating impedance: *		
Input:	196 Ω	-8.2 pF
Output:	209 Ω	-11.3 pF

Characteristics

Remark:

The reference level for the relative attenuation a_{rel} of TFS240K is the minimum of the pass band attenuation a_{min} . This value is defined as the insertion loss a_e . The centre frequency f_C is the arithmetic mean value of the upper and lower frequencies at the 3 dB filter attenuation level relative to the insertion loss a_e . The given values for the relative attenuation a_{rel} and the group delay ripple have to be reached at the frequencies given below, even if the centre frequency f_C is shifted due to the temperature coefficient of frequency TC_f in the operating temperature range and due to a production tolerance for the centre frequency f_C .

D a t a		typ. value	tolerance/limit
Insertion loss	$a_e = a_{min}$	6,5 dB	max. $\pm 1,5$ dB
Nominal frequency	f_N	-	240,0 MHz
Centre frequency	f_C	240,0 MHz	
Relative attenuation	a_{rel}		
$f_N - 7$ MHz ... $f_N + 7$ MHz		0,5 dB	max. 1,4 dB
any 3,5 MHz interval within $f_N - 7$ MHz... $f_N + 7$ MHz		0,5 dB	max. 1 dB
$f_N - 90$ MHz ... $f_N - 30$ MHz		54 dB	min. 45 dB
$f_N - 30$ MHz ... $f_N - 22$ MHz		47 dB	min. 45 dB
$f_N - 22$ MHz ... $f_N - 16$ MHz		45 dB	min. 40 dB
@ $f_N - 16$ MHz **)		55 dB	min. 43 dB
$f_N + 16$ MHz ... $f_N + 18$ MHz		44 dB	min. 40 dB
$f_N + 18$ MHz ... $f_N + 22$ MHz		44 dB	min. 40 dB
$f_N + 22$ MHz ... $f_N + 90$ MHz		47 dB	min. 45 dB
Phase linearity (p-p)			
within $f_N \pm 6,3$ MHz		3 deg	max. 15 deg
Group delay GD***)			
within $f_N \pm 7$ MHz		0,45 μ s	max. 1 μ s
Group delay ripple GDR ***)			
within $f_N \pm 7$ MHz		45 ns	max. 100 ns
Return loss at Input and Output			
within $f_N \pm 6,3$ MHz		15 dB	min. 9,5 dB
Triple transit suppression TTS		80 dB	min. 45 dB
Input power level		-	20 dBm
Operating temperature range		-	- 40 °C ... + 80 °C
Storage temperature range		-	- 40 °C ... + 85 °C
Temperature coefficient of frequency	TC_f	-94 ppm/K	

*) The terminating impedances depend on parasitics and q-values of matching elements and the board used, and are to be understood as reference values only. Should there be additional questions, do not hesitate to ask for an application note or contact our design team.

***) valid for 22 °C, in the operating temperature range a relative attenuation of 41 dB is specified

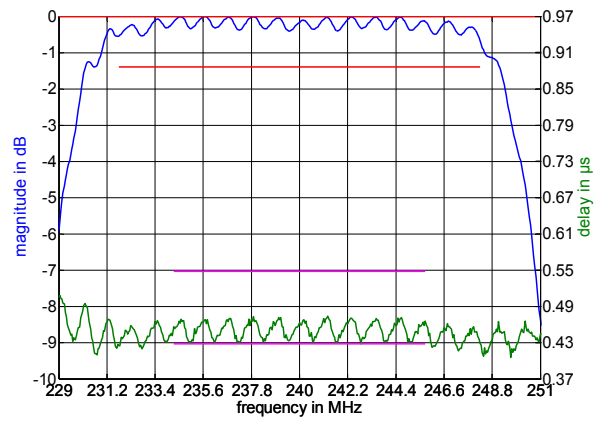
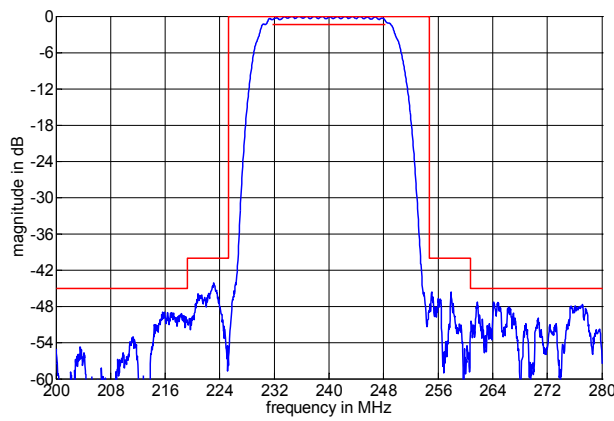
***) measured with smoothing; smoothing aperture ≤ 50 kHz

Generated:**Checked / Approved:**

Tele Filter GmbH
Potsdamer Straße 18
D 14 513 TELTOW / Germany
Tel: (+49) 3328 4784-0 / Fax: (+49) 3328 4784-30
E-Mail: tft@telefilter.com

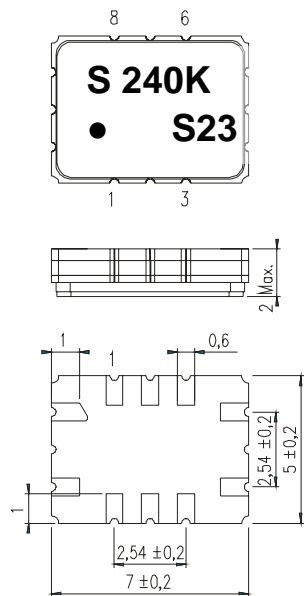
VI TELEFILTER reserves the right to make changes to the product(s) and/or information contained herein without notice. No liability is assumed as a result of their use or application. No rights under any patent accompany the sale of any such product(s) or information.

Filter characteristic



Construction and pin connection

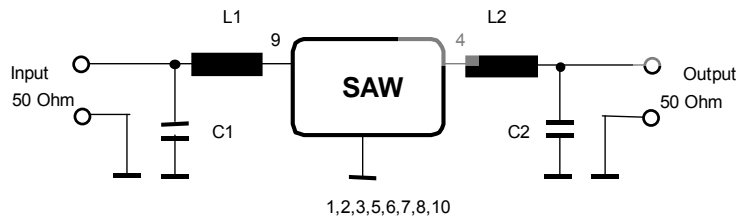
(All dimensions in mm)



1	Ground
2	Ground
3	Ground
4	Output
5	Ground
6	Ground
7	Ground
8	Ground
9	Input
10	Ground

Date code: Year + week
 S 2004
 T 2005
 U 2006
 ...

50 Ohm Test circuit



Tele Filter GmbH
 Potsdamer Straße 18
 D 14 513 TELTOW / Germany
 Tel: (+49) 3328 4784-0 / Fax: (+49) 3328 4784-30
 E-Mail: tft@telefilter.com

VI TELEFILTER reserves the right to make changes to the product(s) and/or information contained herein without notice. No liability is assumed as a result of their use or application. No rights under any patent accompany the sale of any such product(s) or information.

Stability Characteristics

After the following tests the filter shall meet the whole specification:

1. Shock: 500g, 18 ms, half sine wave, 3 shocks each plane;
DIN IEC 68 T2 - 27
2. Vibration: 10 Hz to 500 Hz, 0,35 mm or 5g respectively, 1 octave per min, 10 cycles per plan, 3 plans;
DIN IEC 68 T2 - 6
3. Change of temperature: -55 °C to 125°C / 30 min. each / 10 cycles
DIN IEC 68 part 2 – 14 Test N
4. Resistance to solder heat (reflow): max. 2 times reflow process;
for temperature conditions refer to the attached "Air reflow temperature conditions" on page 4;

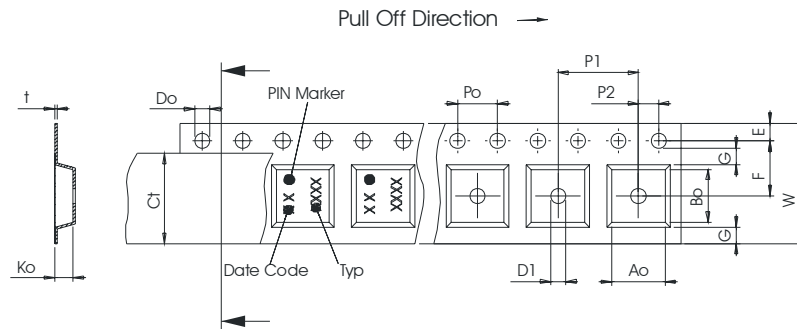
Packing

Tape & Reel: IEC 286 – 3, with exception of value for N and minimum bending radius;
tape type II, embossed carrier tape with top cover tape on the upper side;

max. pieces of filters peer reel: 3000
 reel of empty components at start: min. 300 mm
 reel of empty components at start including leader: min. 500 mm
 trailer: min. 300 mm

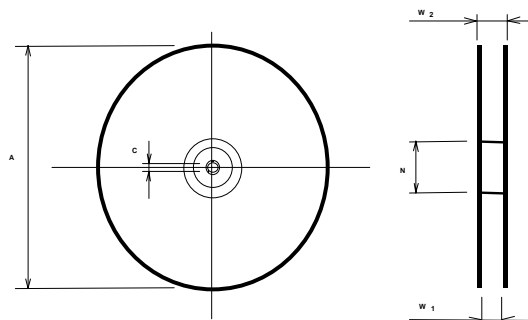
Tape (all dimensions in mm)

- W : 16,00 ± 0,3
- Po : 4,00 ± 0,1
- Do : 1,50 +0,1/-0
- E : 1,75 ± 0,1
- F : 7,50 ± 0,1
- G(min) : 0,60
- P2 : 2,00 ± 0,1
- P1 : 8,00 ± 0,1
- D1(min) : 1,50
- Ao : 5,50 ± 0,1
- Bo : 7,50 ± 0,1
- Ct : 13,5 ± 0,1



Reel (all dimensions in mm)

- A : 330
- W1 : 16,4 +2/-0
- W2(max) : 22,4
- N(min) : 50
- C : 13,0 +0,5/-0,2



The minimum bending radius is 45 mm.

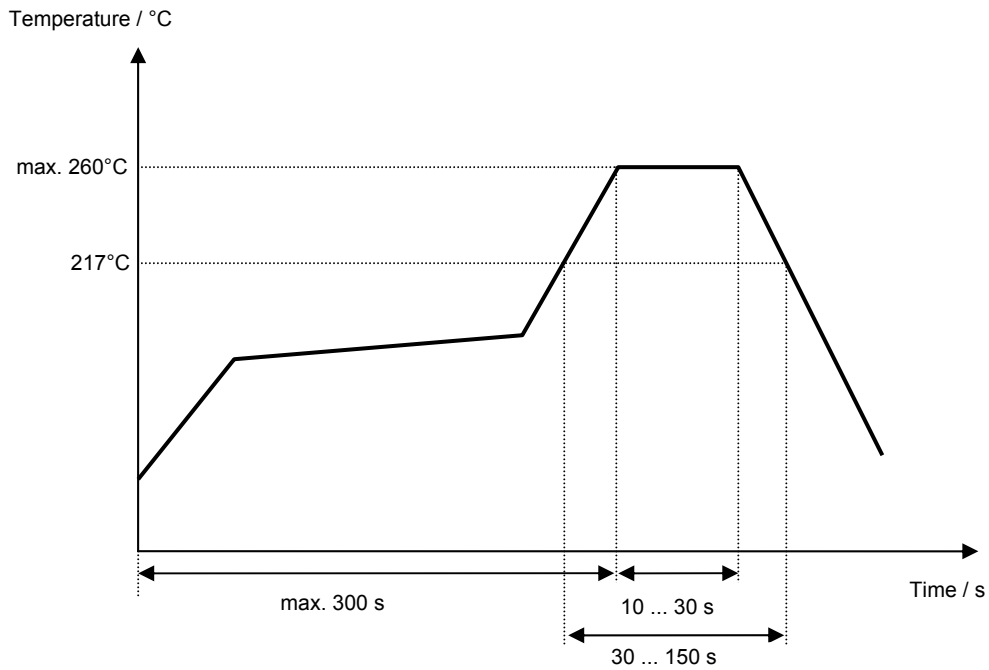
Tele Filter GmbH
Potsdamer Straße 18
D 14 513 TELTOW / Germany
Tel: (+49) 3328 4784-0 / Fax: (+49) 3328 4784-30
E-Mail: tft@telefilter.com

VI TELEFILTER reserves the right to make changes to the product(s) and/or information contained herein without notice. No liability is assumed as a result of their use or application. No rights under any patent accompany the sale of any such product(s) or information.

Air reflow temperature conditions

Conditions	Exposure
Average ramp-up rate (30°C to 217°C)	less than 3°C/second
> 100°C	between 300 and 600 seconds
> 150°C	between 240 and 500 seconds
> 217°C	between 30 and 150 seconds
Peak temperature	max. 260°C
Time within 5°C of actual peak temperature	between 10 and 30 seconds
Cool-down rate (Peak to 50°C)	less than 6°C/second
Time from 30°C to Peak temperature	no greater than 300 seconds

Chip-mount air reflow profile



Tele Filter GmbH
 Potsdamer Straße 18
 D 14 513 TELTOW / Germany
 Tel: (+49) 3328 4784-0 / Fax: (+49) 3328 4784-30
 E-Mail: tft@telefilter.com

VI TELEFILTER reserves the right to make changes to the product(s) and/or information contained herein without notice. No liability is assumed as a result of their use or application. No rights under any patent accompany the sale of any such product(s) or information.

VI TELEFILTER**Filter specification****TFS 240K****5/5****History**

Version	Reason of Changes	Name	Date
1.0	Generation of specification according to customer requirements	E. Chilla	28.03.2003
1.1	added additional limit line at $f_N - 30$ MHz to $f_N - 20$ MHz	E. Chilla	16.07.2003
1.2	changed limit line value at $f_N - 16$ MHz	E. Chilla	01.08.2003
1.3	changed construction and pin connection	E. Chilla	22.09.2003
1.4	created Filter specification added terminating impedance reduced max. insertion loss increased low frequency range for 45 dB stop band attenuation increased bandwidth for 45 dB stop band attenuation increased high frequency near stop band attenuation increased magnitude for triple transit suppression added filter characteristic changed pin 10 to ground changed packing	E. Chilla	02.06.2004
1.5	added min. insertion loss, changed max. insertion loss added typ. input power level, changed max. input power level changed temperature coefficient of frequency changed air reflow temperature conditions changed pin 5 to ground	E. Chilla	16.12.2004

Tele Filter GmbH
Potsdamer Straße 18
D 14 513 TELTOW / Germany
Tel: (+49) 3328 4784-0 / Fax: (+49) 3328 4784-30
E-Mail: tft@telefilter.com

VI TELEFILTER reserves the right to make changes to the product(s) and/or information contained herein without notice. No liability is assumed as a result of their use or application. No rights under any patent accompany the sale of any such product(s) or information.