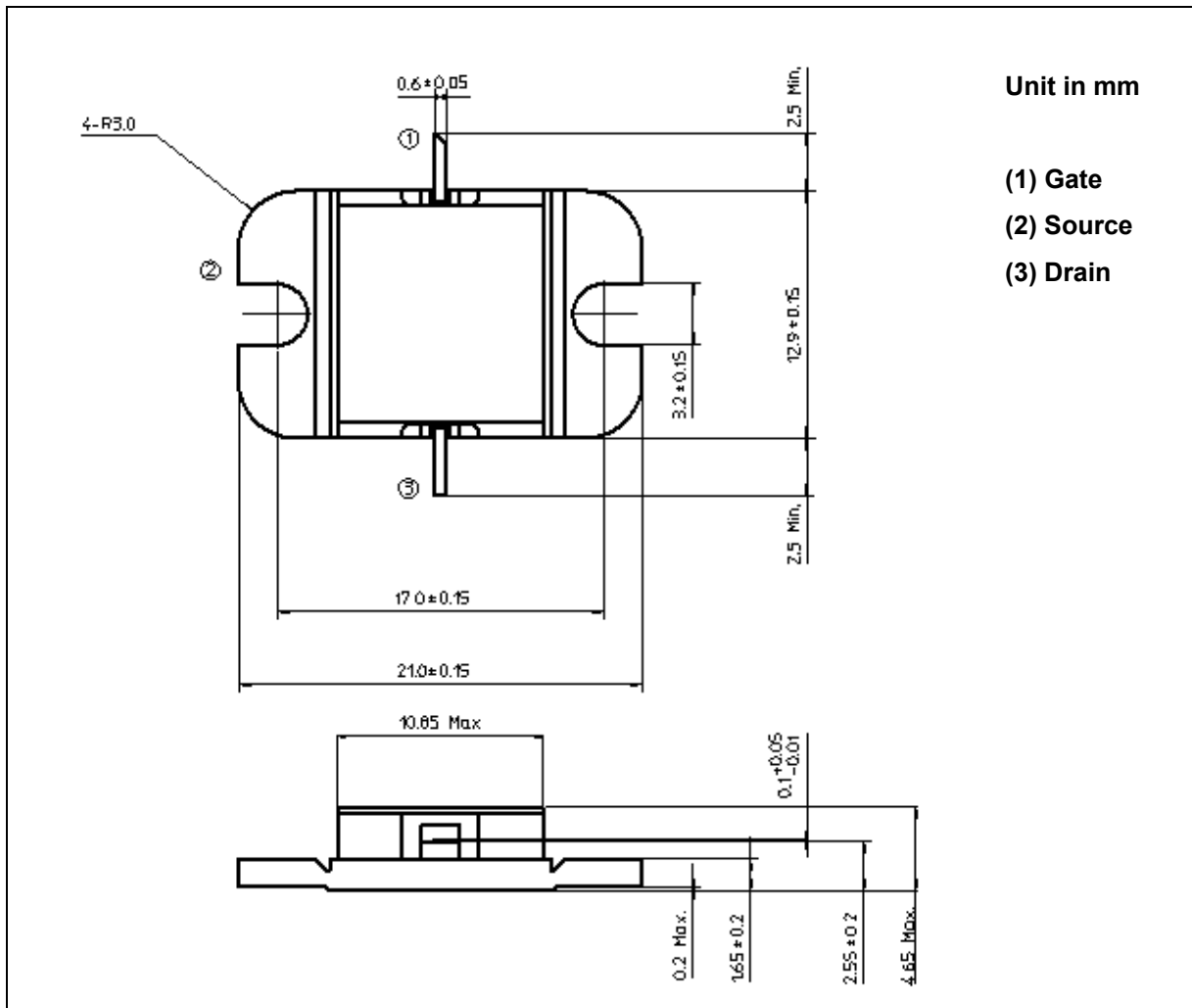


ABSOLUTE MAXIMUM RATINGS (Ta= 25°C)

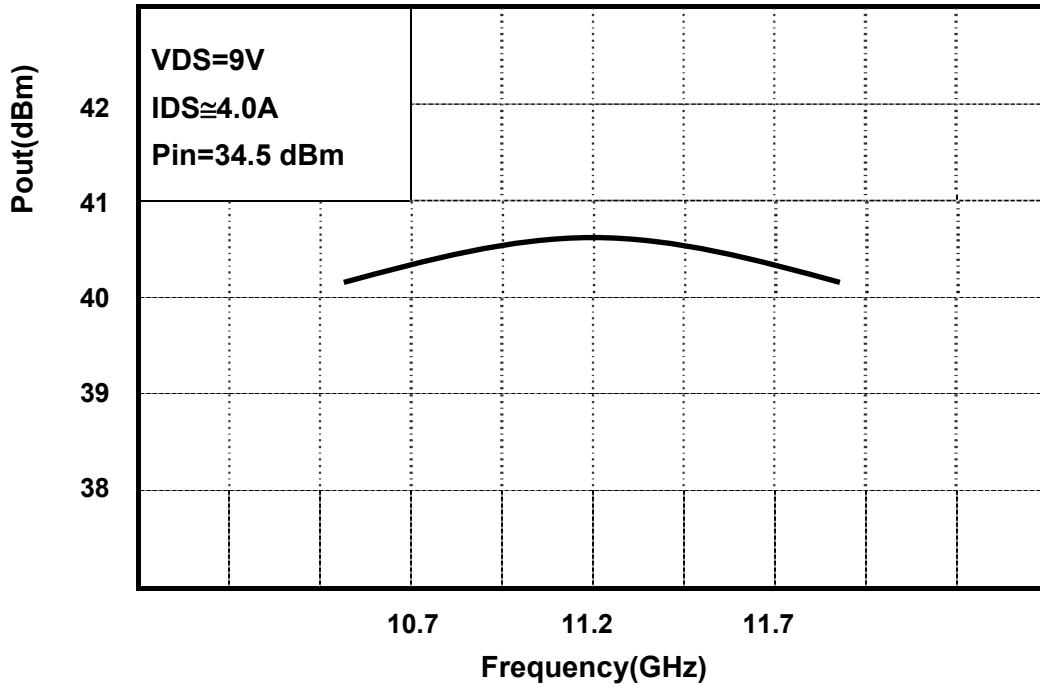
| CHARACTERISTICS | SYMBOL | UNIT | RATING |
|-------------------------------------|--------|------|-------------|
| Drain-Source Voltage | VDS | V | 15 |
| Gate-Source Voltage | VGS | V | -5 |
| Drain Current | IDS | A | 11.5 |
| Total Power Dissipation (Tc= 25 °C) | PT | W | 60 |
| Channel Temperature | Tch | °C | 175 |
| Storage Temperature | Tstg | °C | -65 to +175 |

PACKAGE OUTLINE (2-11C1B)**HANDLING PRECAUTIONS FOR PACKAGE MODEL**

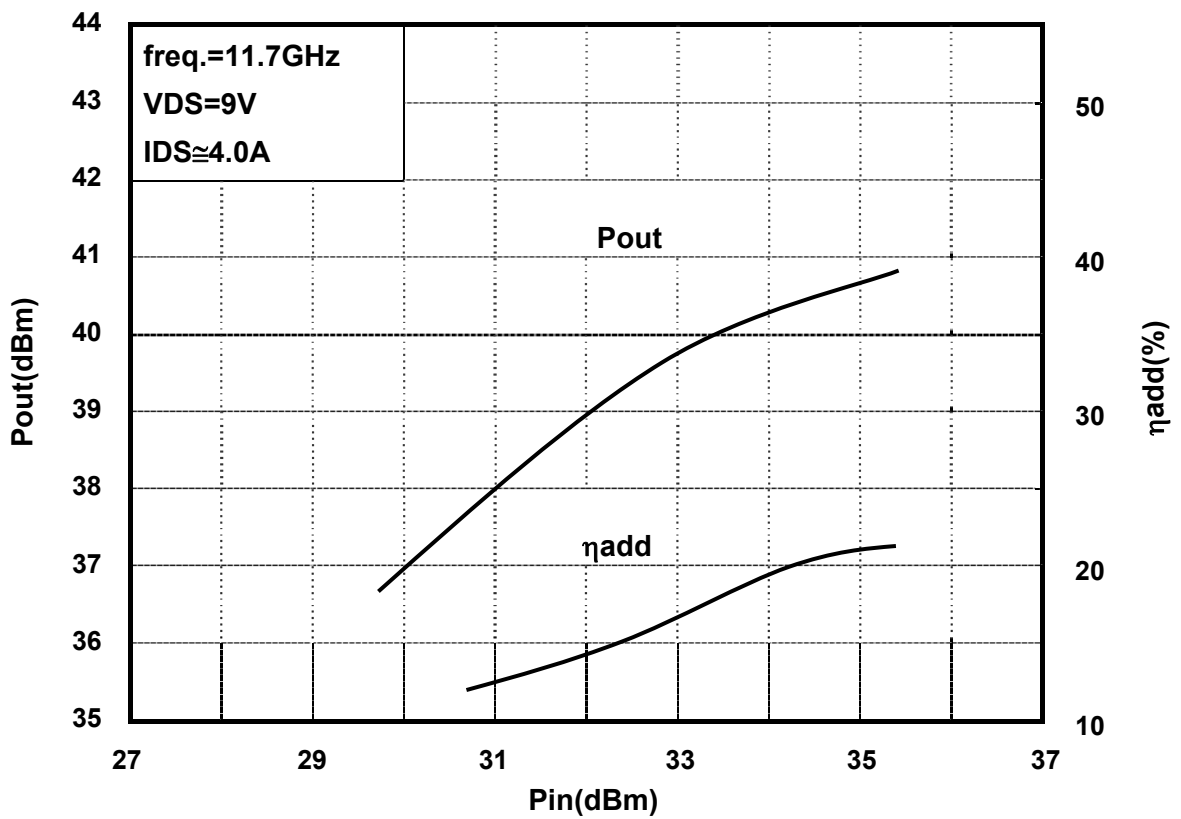
Soldering iron should be grounded and the operating time should not exceed 10 seconds at 260°C.

RF PERFORMANCE

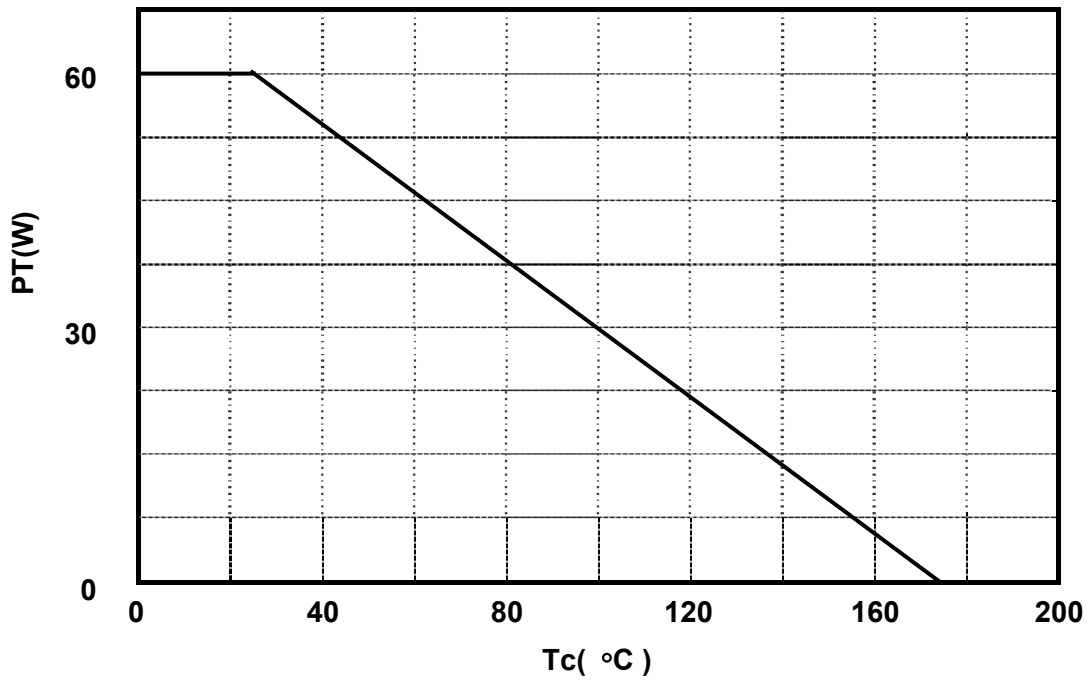
Output Power (Pout) vs. Frequency



Output Power(Pout) vs. Input Power(Pin)



Power Dissipation(PT) vs. Case Temperature(Tc)



IM3 vs. Output Power Characteristics

