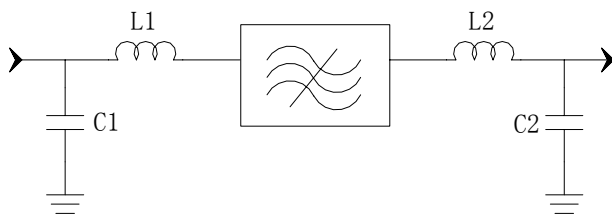


Specifications

Parameter	Unit	Minimum	Typical	Maximum
Center Frequency	MHz	139.95	140	140.05
Insertion Loss	dB		21.5	23
1.5 dB Bandwidth	MHz	4.4	4.48	
25 dB Bandwidth	MHz		5.2	5.4
30 dB Bandwidth	MHz		5.4	6
40 dB Bandwidth	MHz		5.8	6.5
Group delay Variation($f_0 \pm 2.2\text{MHz}$)	nsec		120	200
Phase Linearity($f_0 \pm 2.2\text{MHz}$)	degree		7	10
VSWR			2.1	2.3
Passband Variation	dB		1	1.5
Absolute Delay	usec		2.29	2.35
Ultimate Rejection	dB	38	40	
Substrate Material		112LT		
Ambient Temperature	°C	25		
Package Size	DIP2712 (27.0x12.8x4.7mm ³)			

- Note:**
1. All specifications are based on the test circuit shown
 2. In production, devices will be tested at room temperature to a guardbanded specification to ensure electrical compliance over temperature
 3. Electrical margin has been built into the design to account for the variations due to temperature drift and manufacturing tolerances
 4. This is the optimum impedance in order to achieve the performance show

Matching Configuration



L1=10nH L2=8.2nH
C1=51pF C2=82pF

Source/Load Impedance=50 ohm

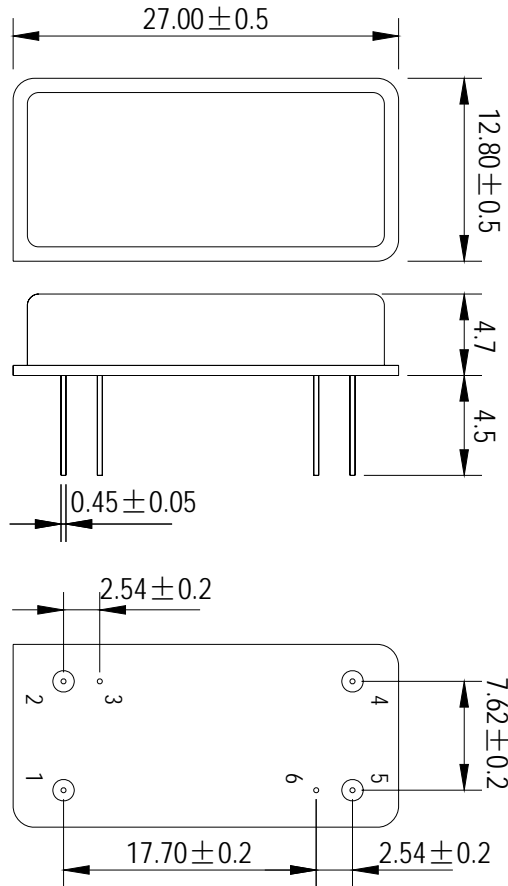
Notes - Component values may change depending on board layout.



SIPAT Co., Ltd.
(CETC No. 26 Research Institute)
Nanping Huayuan Road No. 14
Chongqing, China, 400060

Part Number	LBT14064		
Rev. Date	2005-1-30		
Rev.	1.0	Page 1/3	

Package Dimension



Input:1
Output:5

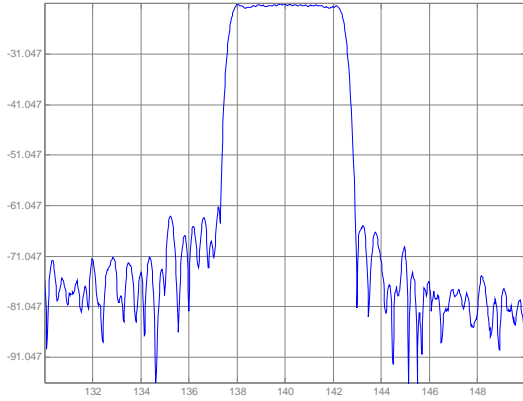


SIPAT Co., Ltd.
(CETC No. 26 Research Institute)
Nanping Huayuan Road No. 14
Chongqing, China, 400060

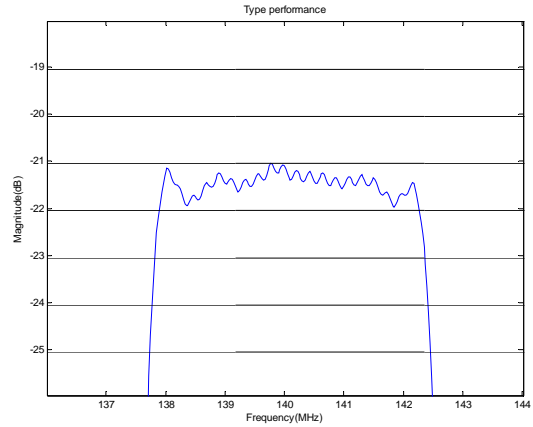
Part Number	LBT14064	
Rev. Date	2005-1-30	
Rev.	1.0	Page 2/3

Typical Performance

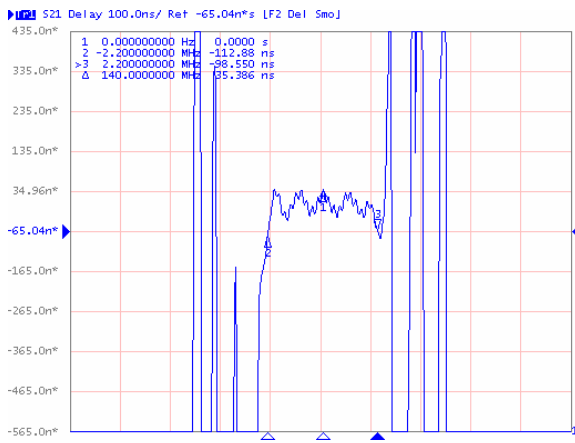
Frequency Respond



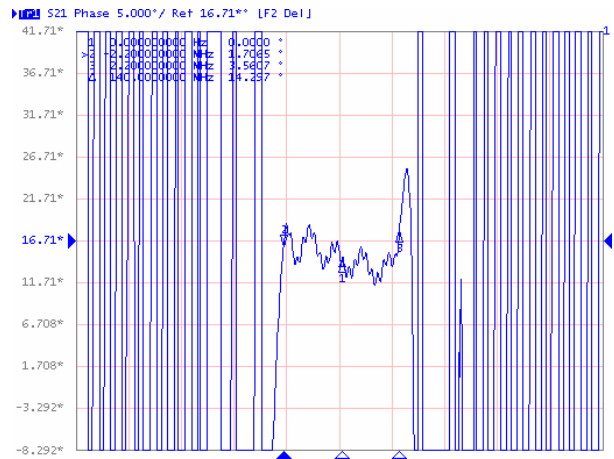
Passband Respond



Group Delay Variation($f_0 \pm 2.2\text{MHz}$)



Phase Linearity($f_0 \pm 2.2\text{MHz}$)



SWR S11



SWR S22



SIPAT Co., Ltd.
(CETC No. 26 Research Institute)
Nanning Huayuan Road No. 14
Chongqing, China, 400060

Part Number

LBT14064

Rev. Date

2005-1-30

Rev.

1.0

Page 3/3