

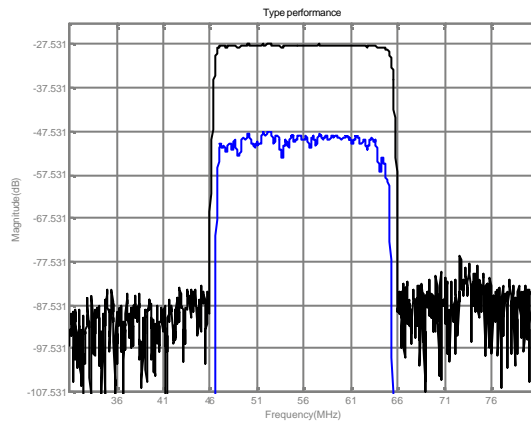


LBN05601 SAW Filter Electrical Characteristic

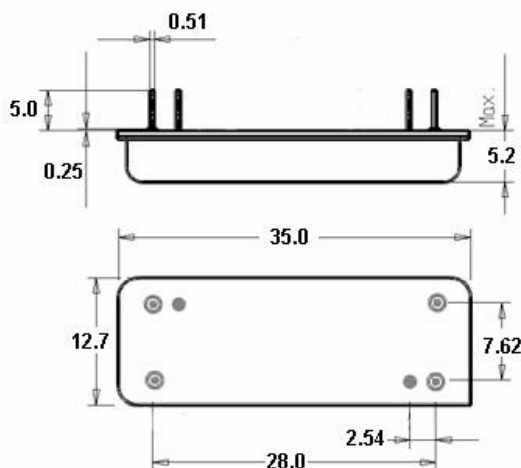
Specifications

Parameter	Unit	Minimum	Typical	Maximum
Center Frequency	MHz	55.90	56	56.1
Insertion Loss	dB		27.0	28.5
1 dB Bandwidth	MHz	17.00	17.94	
3 dB Bandwidth	MHz	18.50	18.67	
40 dB Bandwidth	MHz		19.94	20.0
50 dB Bandwidth	MHz		20.09	-
Passband Variation	dB		0.8	1.0
Absolute Delay	usec		2.95	4.0
Ultimate Rejection	dB	50	55	
Substrate Material		128 LN		
Ambient Temperature	°C	25		
Center Frequency	DIP3512 (35.0x12.7x5.2mm ³)			

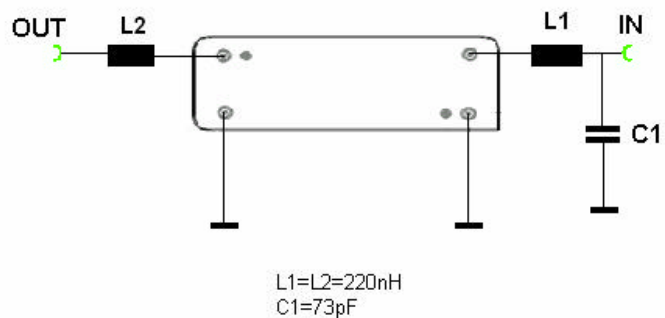
Typical Performance



Package Outline



Matching Configuration



Source/Load Impedance = 50 ohm